



Customer information packet

EFM4102T

20HP, 1180RPM, 3PH, 60HZ, 286T, 1054M, TEFC, F2

Class - None

Division - Not Applicable

Specifications

Enclosure	TEFC
Frame	286T
Frame Material	Iron
Frequency	60.00 Hz
Haz Area Class and Group	None
Haz Area Division	Not Applicable
Motor Letter Type	Three Phase
Output @ Frequency	20.000 HP @ 60 HZ
Phase	3
Synchronous Speed @ Frequency	1200 RPM @ 60 HZ
Voltage @ Frequency	460.0 V @ 60 HZ 230.0 V @ 60 HZ
Agency Approvals	NEMA PREMIUM NEMA_PREMIUM UR CSA EEV
Ambient Temperature	40 °C
Auxillary Box	No Auxillary Box
Auxillary Box Lead Termination	None
Base Indicator	Rigid
Bearing Grease Type	Polyrex EM (-20F +300F)
Blower	None
Current @ Voltage	54.000 A @ 230.0 V 56.000 A @ 208.0 V 27.000 A @ 460.0 V
Design Code	A
Drip Cover	No Drip Cover
Duty Rating	CONT
Efficiency @ 100% Load	91.7 %
Electrically Isolated Bearing	Not Electrically Isolated
Feedback Device	NO FEEDBACK
Front Face Code	Standard

Part detail

Revision	V
Type	AC
Mech. spec.	10C156
Base	
Status	PRD/A
Elec. spec.	10WGY730
Layout	10LYC156
Eff. date	06-27-2024
CD Diagram	CD0180
Poles	06
Leads	9#10
Proprietary	False
Created date	06-11-2014

Front Shaft Indicator	None
Heater Indicator	No Heater
High Voltage Full Load Amps	27.0 a
Insulation Class	F
Inverter Code	Inverter Ready
KVA Code	H
Lifting Lugs	Standard Lifting Lugs
Locked Bearing Indicator	Locked Bearing
Motor Lead Exit	Ko Box
Motor Lead Quantity/Wire Size	9 @ 10 AWG
Motor Lead Termination	Flying Leads
Motor Standards	NEMA
Motor Type	1054M
Mounting Arrangement	F2
Number of Poles	6
Overall Length	27.81 IN
Power Factor	77
Product Family	General Purpose
Pulley End Bearing Type	Ball
Pulley Face Code	Standard
Pulley Shaft Indicator	Standard
Rodent Screen	None
Service Factor	1.15
Shaft Diameter	1.875 IN
Shaft Extension Location	Pulley End
Shaft Ground Indicator	No Shaft Grounding
Shaft Rotation	Reversible
Shaft Slinger Indicator	Shaft Slinger
Speed	1180 rpm
Speed Code	Single Speed
Starting Method	Direct on line
Thermal Device - Bearing	None
Thermal Device - Winding	None
Vibration Sensor Indicator	No Vibration Sensor

Winding Thermal 1

None

Winding Thermal 2

None

Nameplate

NP3443L

CAT.NO.	EFM4102T	CUST. P/N				ENCL	TEFC
SPEC.	10C156Y730G1	CC	010A	FRAME	286T	SER.NO.	
HP	20	CLASS		F	HZ	60	
R.P.M.	1180	PH	3	DES	A		
VOLTS	230/460	CODE		H	ODE BRG	6309	DE BRG 6311
AMPS	54/27						
RATING	40C AMB-CONT	NEMA NOM. EFF.			91.7	GREASE	POLYREX EM
P.F.	77	SER.F.	1.15	VPWM INVERTER READY			
	SFA 61/60.5						
HTR-VOLTS		HTR-AMPS		HTR-WATTS			

AC Induction Motor Performance Data

Record # 53029

Typical performance - not guaranteed values

Winding: 10WGY730-R006		Type: 1054M		Enclosure: TEFC	
Nameplate Data			460 V, 60 Hz: High Voltage Connection		
Rated Output (HP)	20		Full Load Torque	90.1 LB-FT	
Volts	230/460		Start Configuration	direct on line	
Full Load Amps	54/27		Breakdown Torque	276 LB-FT	
R.P.M.	1180		Pull-up Torque	115 LB-FT	
Hz	60 Phase	3	Locked-rotor Torque	166 LB-FT	
NEMA Design Code	A KVA Code	H	Starting Current	165 A	
Service Factor (S.F.)	1.15		No-load Current	13.1 A	
NEMA Nom. Eff.	91.7 Power Factor	77	Line-line Res. @ 25°C	0.425 Ω	
Rating - Duty	40C AMB-CONT		Temp. Rise @ Rated Load	65°C	
S.F. Amps			Temp. Rise @ S.F. Load	79°C	
			Locked-rotor Power Factor	32	
			Rotor inertia	6.61 LB-FT ²	

Load Characteristics 460 V, 60 Hz, 20 HP

% of Rated Load	25	50	75	100	125	150	S.F.
Power Factor	39	60	71	77	79	80	78
Efficiency	86.6	91.1	91.9	91.7	90.9	89.8	91.2
Speed	1194.6	1189.5	1184.1	1178.3	1171.4	1163.8	1174
Line amperes	14.3	17.5	21.9	26.9	32.7	39.3	30.4

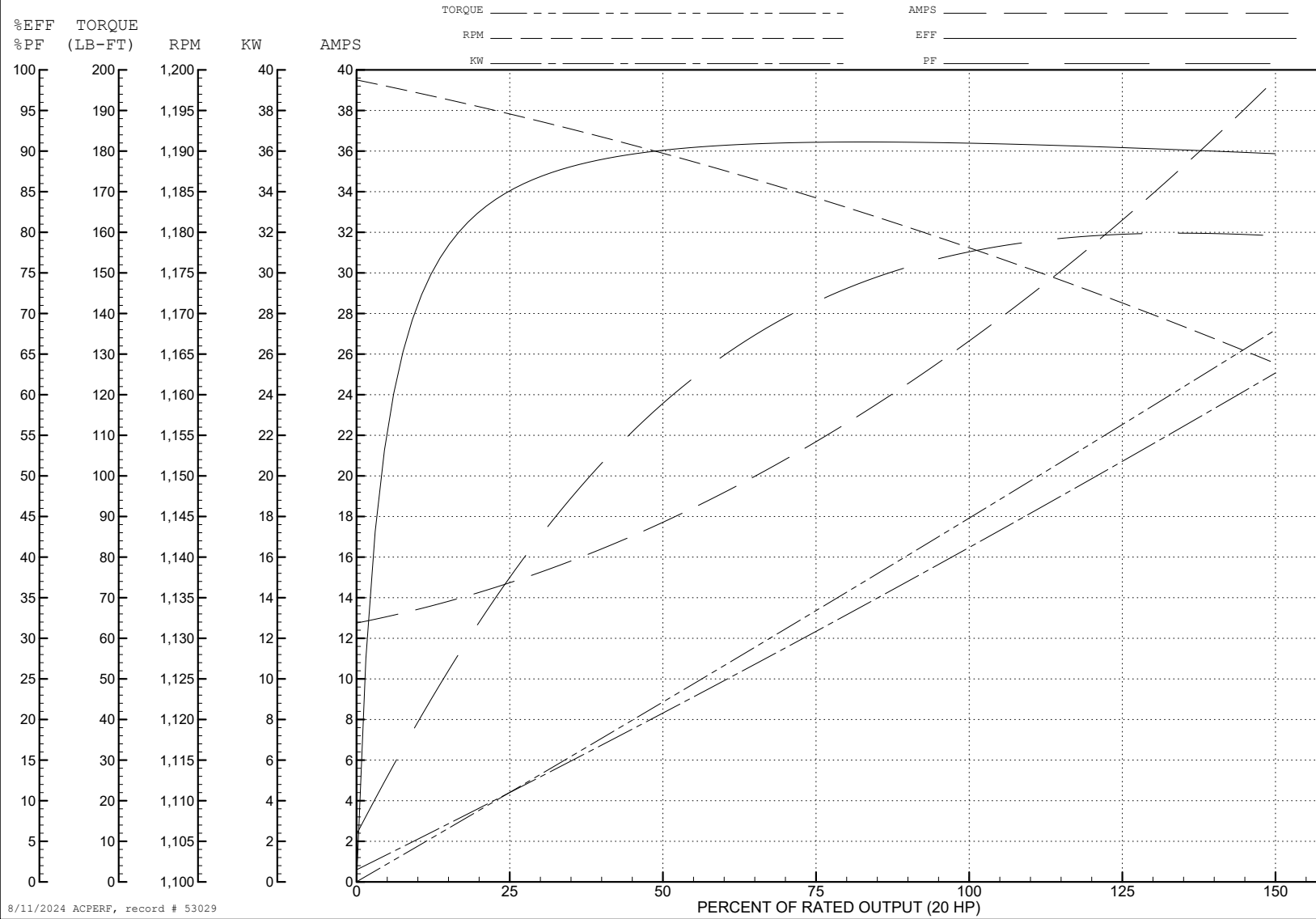
ABB Motors and Mechanical Inc.

WINDING # 10WGY730

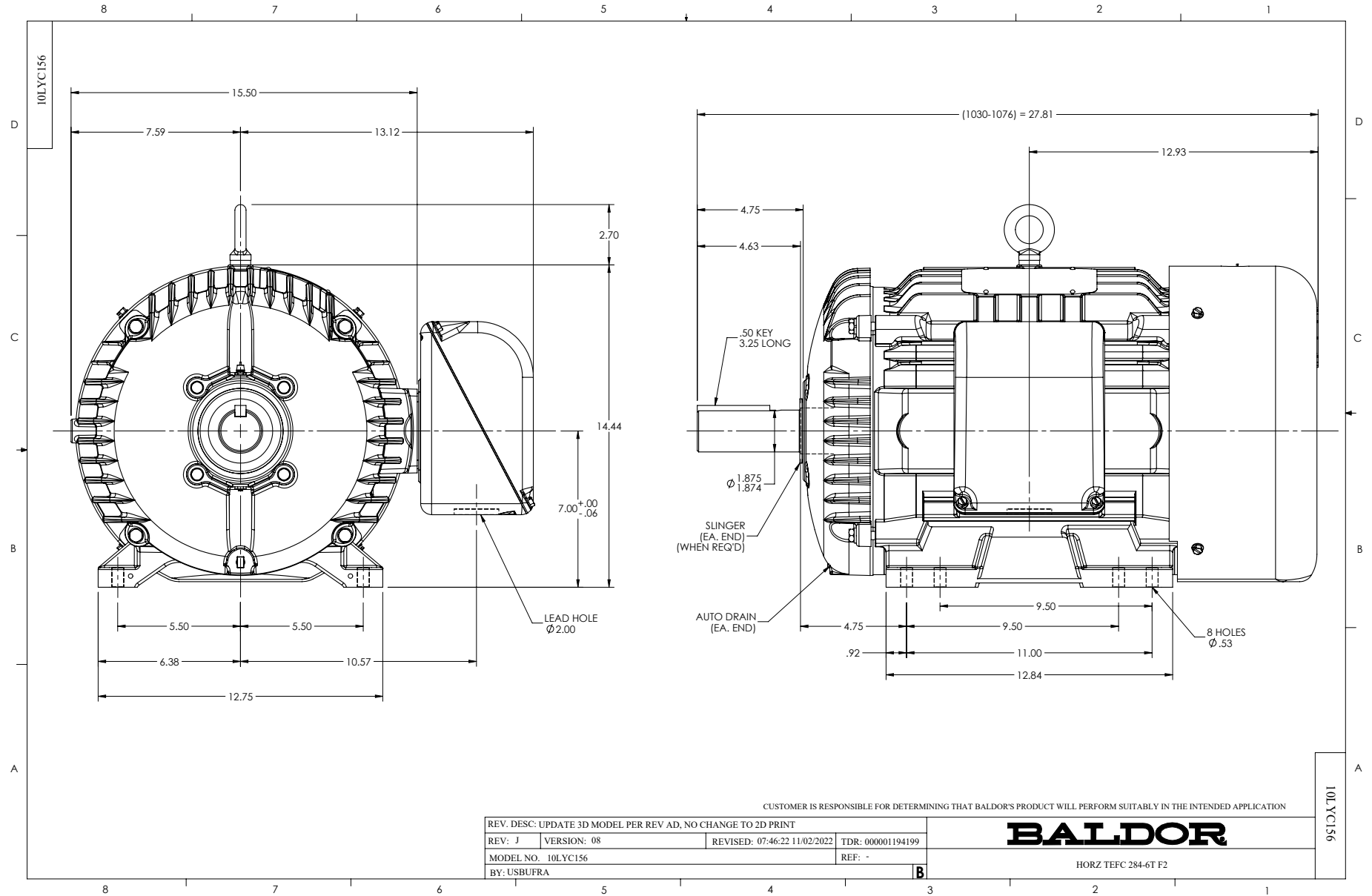
Typical performance - not guaranteed values.

20 HP 3 PH 60 HZ 1180 RPM 460 V 1054M

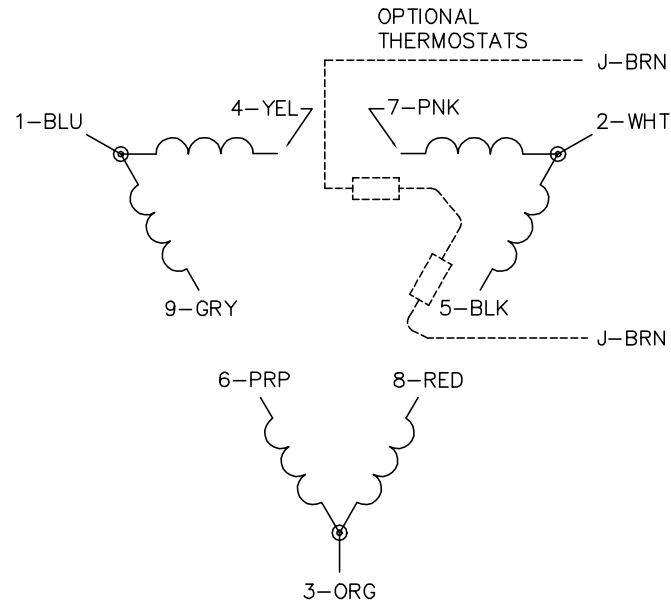
TORQUES (LB-FT): PO=276 PU=115 LR=166 LRA=165



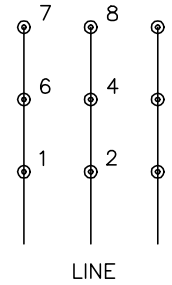
8/11/2024 ACPERF, record # 53029



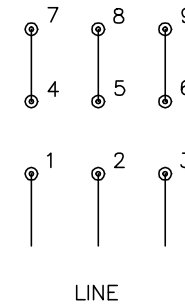
CD0180



LOW VOLTAGE
(2D)



HIGH VOLTAGE
(1D)



NOTES:

1. INTERCHANGE ANY TWO LINE LEADS TO REVERSE ROTATION.
2. OPTIONAL THERMOSTATS ARE PROVIDED WHEN SPECIFIED.
3. ACTUAL NUMBER OF INTERNAL PARALLEL CIRCUITS MAY BE A MULTIPLE OF THOSE SHOWN ABOVE.
4. LEAD COLORS ARE OPTIONAL. LEADS MUST ALWAYS BE NUMBERED AS SHOWN.

CD0180

REV. DESC: ADD CLASS CONN00000007		
REV. LTR: D	VERSION: 01	TDR: 000001099922
FILE: \AAA\00005\148	REVISED: 10: 25: 29 02/19/2019	BY: ENBRIRO
MTL: -	© □	

BALDOR - RELIANCE®

3PH, DV, 9 LEADS, DELTA CONNECTION

SH 1 of 1