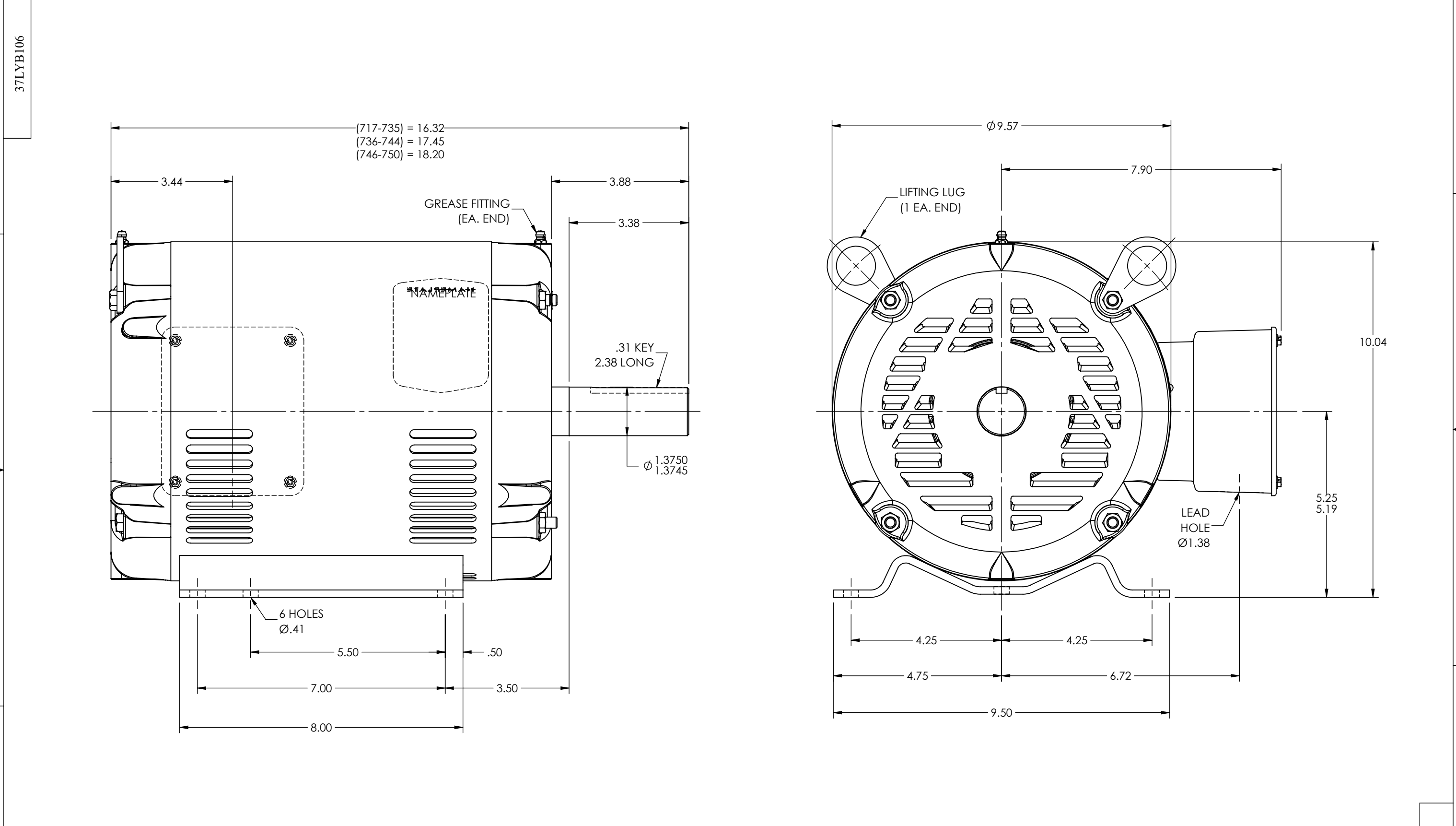


8 7 6 5 4 3 2 1



CUSTOMER IS RESPONSIBLE FOR DETERMINING THAT THE PRODUCT WILL PERFORM SUITABLY IN THE INTENDED APPLICATION

REV. DESC: CONVERSION OF ACAD TO SWD INOPC PKG 19			
REV: H	VERSION: 03	REVISED: 09:35:03 10/11/2022	TDR: 000001197758
MODEL NO. 37LYB106			REF: -
BY: ENALEM0			B

BALDOR - RELIANCE®

STD HORZ 213-5T OPSB 37M (F-2 MTG)

A 37LYB106

8 7 6 5 4 3 2 1