

**BALDOR® • RELIANCE®**

---

# Customer information packet

## EFM3211T-8

3HP, 1765RPM, 3PH, 60HZ, 182T, 3630M, OPSB, F2

Class - None

Division - Not Applicable

## Specifications

Enclosure	OPSB
Frame	182T
Frame Material	Steel
Frequency	60.00 Hz
Haz Area Class and Group	None
Haz Area Division	Not Applicable
Motor Letter Type	Three Phase
Output @ Frequency	3.000 HP @ 60 HZ
Phase	3
Synchronous Speed @ Frequency	1800 RPM @ 60 HZ
Voltage @ Frequency	200.0 V @ 60 HZ
Agency Approvals	CURUSEEV NEMA PREMIUM NEMA_PREMIUM UR CSA EEV
Ambient Temperature	40 °C
Auxillary Box	No Auxillary Box
Auxillary Box Lead Termination	None
Base Indicator	Rigid
Bearing Grease Type	Polyrex EM (-20F +300F)
Blower	None
Current @ Voltage	9.700 A @ 200.0 V
Design Code	B
Drip Cover	No Drip Cover
Duty Rating	CONT
Efficiency @ 100% Load	89.5 %
Electrically Isolated Bearing	Not Electrically Isolated
Feedback Device	NO FEEDBACK
Front Face Code	Standard
Front Shaft Indicator	None
Heater Indicator	No Heater

## Part detail

Revision	M
Type	AC
Mech. spec.	36H946
Base	
Status	PRD/A
Elec. spec.	36WGS760
Layout	36LYH946
Eff. date	06-11-2024
CD Diagram	CD0006
Poles	04
Leads	3#14
Proprietary	False
Created date	06-29-2011

High Voltage Full Load Amps	9.7 a
Insulation Class	F
Inverter Code	Inverter Ready
KVA Code	K
Lifting Lugs	No Lifting Lugs
Locked Bearing Indicator	No Locked Bearing
Motor Lead Exit	Ko Box
Motor Lead Quantity/Wire Size	3 @ 14 AWG
Motor Lead Termination	Flying Leads
Motor Standards	NEMA
Motor Type	3630M
Mounting Arrangement	F2
Number of Poles	4
Overall Length	15.00 IN
Power Factor	74
Product Family	General Purpose
Pulley End Bearing Type	Ball
Pulley Face Code	Standard
Pulley Shaft Indicator	Standard
Rodent Screen	None
Service Factor	1.15
Shaft Diameter	1.125 IN
Shaft Extension Location	Pulley End
Shaft Ground Indicator	No Shaft Grounding
Shaft Rotation	Reversible
Shaft Slinger Indicator	No Slinger
Speed	1765 rpm
Speed Code	Single Speed
Starting Method	Direct on line
Thermal Device - Bearing	None
Thermal Device - Winding	None
Vibration Sensor Indicator	No Vibration Sensor
Winding Thermal 1	None
Winding Thermal 2	None

**Nameplate**

<b>NP3553L</b>									
<b>CAT.NO.</b>	EFM3211T-8								
<b>SPEC</b>	36H946S760G1								
<b>HP</b>	3								
<b>VOLTS</b>	200								
<b>AMPS</b>	9.7								
<b>RPM</b>	1765								
<b>FRAME</b>	182T		<b>HZ</b>	60		<b>PH</b>	3		
<b>SF</b>	1.15	<b>CODE</b>	K	<b>DES</b>	B	<b>CLASS</b>	F		
<b>NEMA NOM. EFF</b>	89.5	<b>PF</b>	74						
<b>RATING</b>	40C AMB-CONT								
<b>CC</b>	010A								
<b>ENCL</b>	OPSB	<b>SER</b>							
<b>DE</b>	6206	<b>ODE</b>	6205						
<b>VPWM INVERTER READY</b>									
<b>CT30-60(2:1) VT3-60(20:1)</b>									

**Accessories**

<b>Part number</b>	<b>Description</b>	<b>Multiplier</b>
36-3403	C FACE KIT	A8
36EP1405A09SP	D-FLANGE KIT	

**AC Induction Motor Performance Data**

Record # 34571

Typical performance - not guaranteed values

Winding: 36WGS760-R001		Type: 3630M	Enclosure: OPSB	
<b>Nameplate Data</b>			<b>200 V, 60 Hz: Single Voltage Motor</b>	
Rated Output (HP)	3	Full Load Torque	8.85 LB-FT	
Volts	200	Start Configuration	direct on line	
Full Load Amps	9.7	Breakdown Torque	37.6 LB-FT	
R.P.M.	1765	Pull-up Torque	17.5 LB-FT	
Hz	60 Phase	Locked-rotor Torque	21.4 LB-FT	
NEMA Design Code	B KVA Code	Starting Current	75.1 A	
Service Factor (S.F.)	1.15	No-load Current	5.72 A	
NEMA Nom. Eff.	89.5 Power Factor	Line-line Res. @ 25°C	0.731 Ω	
Rating - Duty	40C AMB-CONT	Temp. Rise @ Rated Load	24°C	
S.F. Amps		Temp. Rise @ S.F. Load	29°C	
		Locked-rotor Power Factor	44	
		Rotor inertia	0.279 LB-FT <sup>2</sup>	

**Load Characteristics 200 V, 60 Hz, 3 HP**

% of Rated Load	25	50	75	100	125	150	S.F.
Power Factor	32	53	66	73	78	81	76
Efficiency	79.6	87.4	89.4	89.7	89.5	88.3	89.6
Speed	1791	1783	1775	1766	1756	1745	1760
Line amperes	6.1	6.99	8.24	9.84	11.5	13.5	10.8

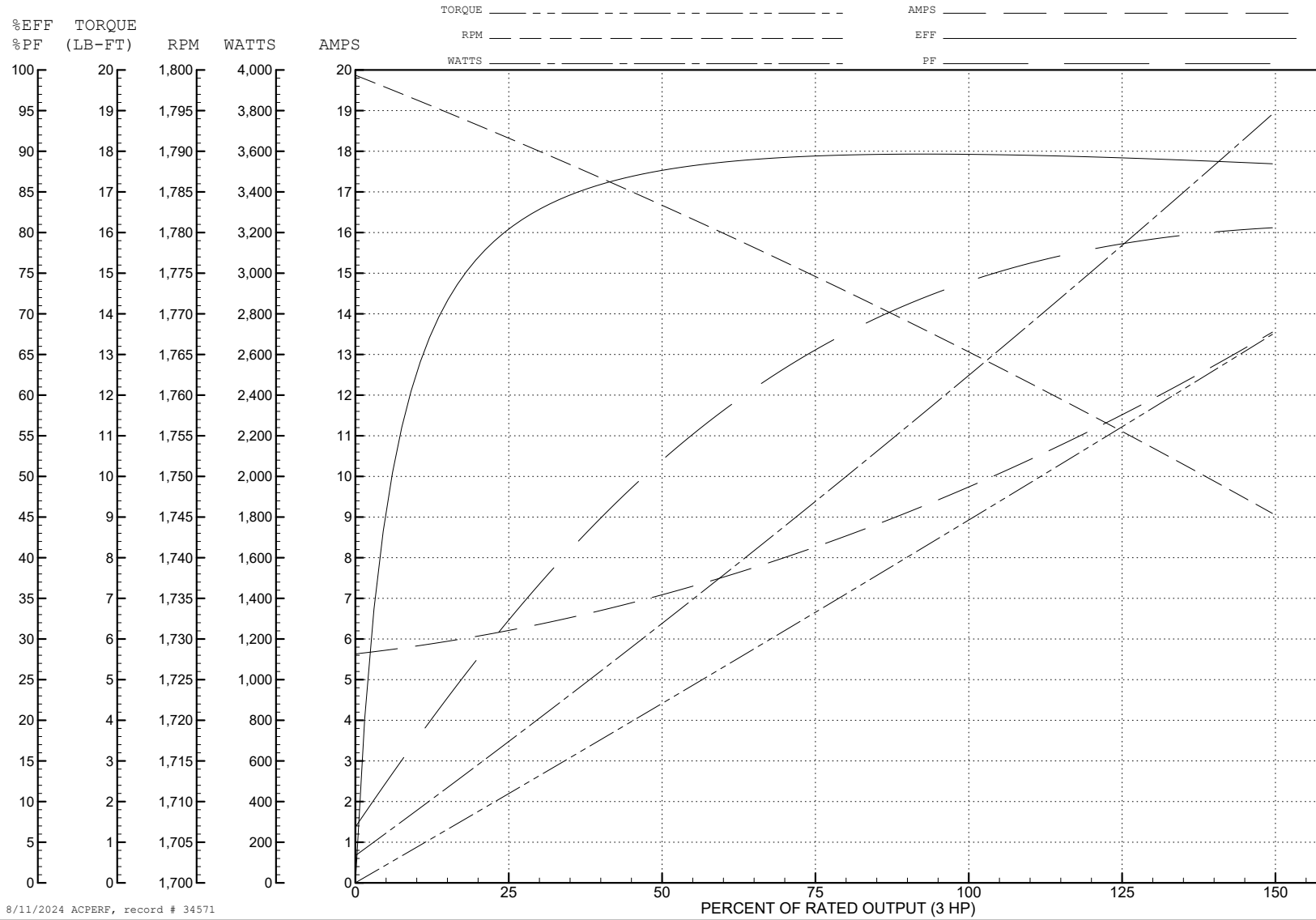
ABB Motors and Mechanical Inc.

WINDING # 36WGS760

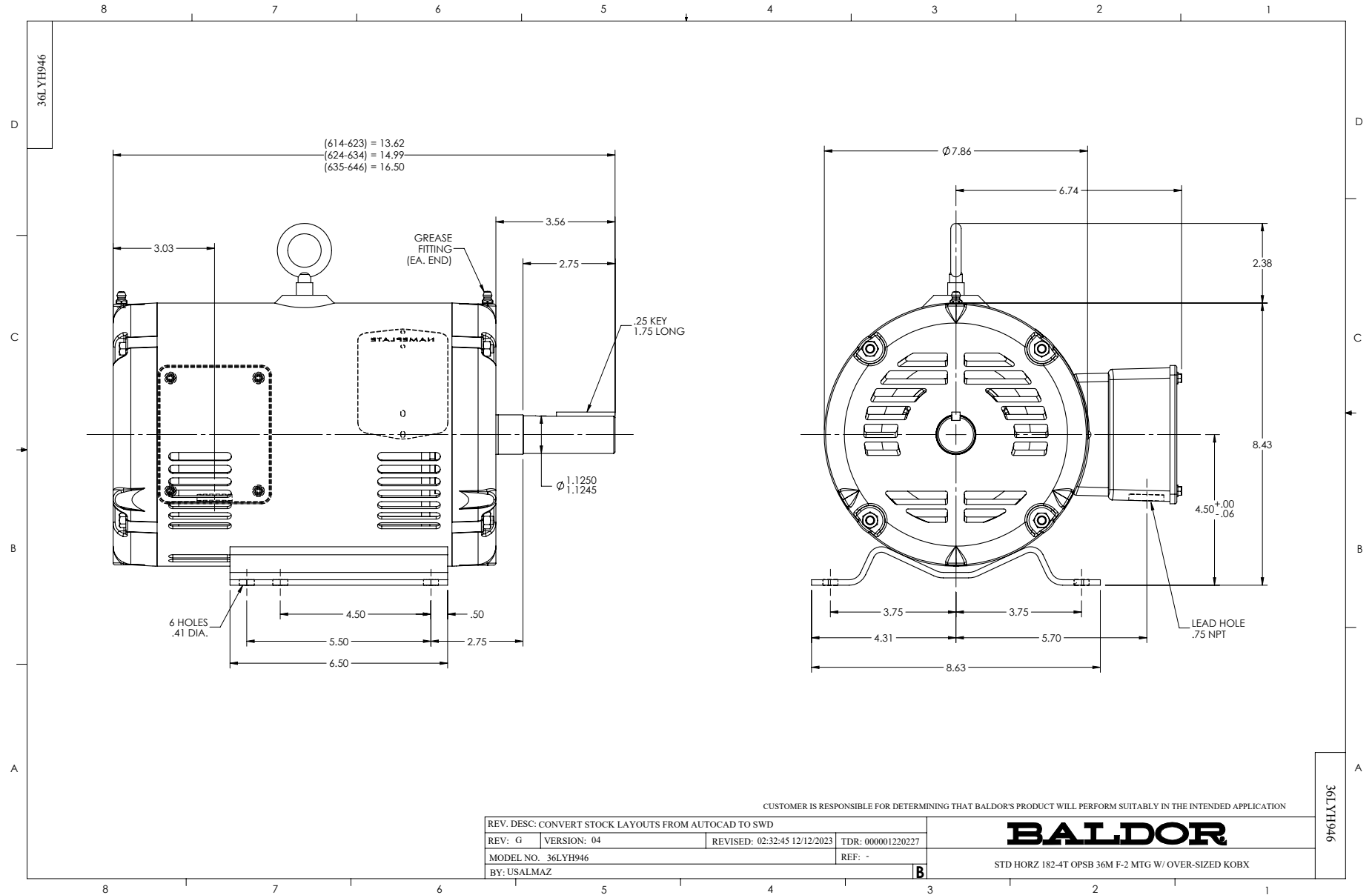
3 HP 3 PH 60 HZ 1765 RPM 200 V 3630M

Typical performance - not guaranteed values.

TORQUES (LB-FT): PO=37.6 PU=17.5 LR=21.4 LRA=75.1

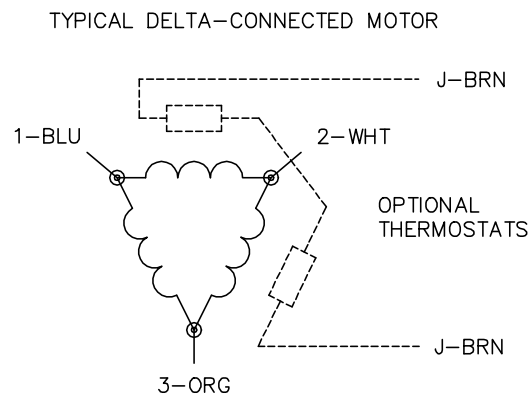
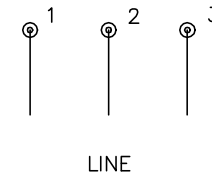
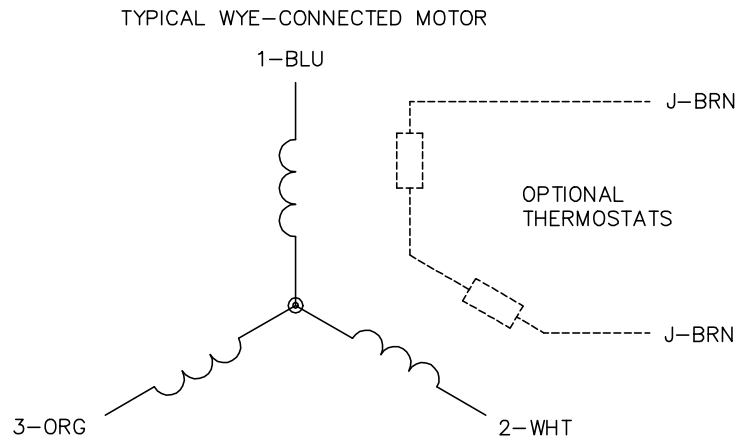


8/11/2024 ACPERF, record # 34571





CD0006



NOTES:

1. THREE LEAD MOTOR MAY BE EITHER WYE CONNECTED OR DELTA CONNECTED.
2. INTERCHANGE ANY TWO LINE LEADS TO REVERSE ROTATION.
3. OPTIONAL THERMOSTATS ARE PROVIDED WHEN SPECIFIED.
4. ACTUAL NUMBER OF INTERNAL PARALLEL CIRCUITS MAY VARY.
5. LEAD COLORS ARE OPTIONAL. LEADS MUST BE NUMBERED AS SHOWN.

CD0006

REV. DESC: ADD CLASS CONN00000007		
REV. LTR: E	VERSION: 01	TDR: 000001099922
FILE: \AAA\00005\141	REVISED: 10:24:49 02/19/2019	BY: ENBRIRO
MTL: -	© □	

**BALDOR - RELIANCE®**

3PH, SV, 3 LEADS, WYE OR DELTA CONNECTED

SH 1 of 1