

**BALDOR • RELIANCE**

---

# Customer information packet

## EFM2515T

20HP, 1765RPM, 3PH, 60HZ, 256T, 3948M, OPSB, F2

Class - None

Division - Not Applicable

## Specifications

Enclosure	OPSB
Frame	256T
Frame Material	Steel
Frequency	60.00 Hz
Haz Area Class and Group	None
Haz Area Division	Not Applicable
Motor Letter Type	Three Phase
Output @ Frequency	20.000 HP @ 60 HZ
Phase	3
Synchronous Speed @ Frequency	1800 RPM @ 60 HZ
Voltage @ Frequency	230.0 V @ 60 HZ 460.0 V @ 60 HZ
Agency Approvals	NEMA PREMIUM CURUSEEV
Ambient Temperature	40 °C
Auxillary Box	No Auxillary Box
Auxillary Box Lead Termination	None
Base Indicator	Rigid
Bearing Grease Type	Polyrex EM (-20F +300F)
Blower	None
Current @ Voltage	24.000 A @ 460.0 V 48.000 A @ 230.0 V 52.000 A @ 208.0 V
Design Code	A
Drip Cover	No Drip Cover
Duty Rating	CONT
Efficiency @ 100% Load	93.0 %
Electrically Isolated Bearing	Not Electrically Isolated
Feedback Device	NO FEEDBACK
Front Face Code	Standard
Front Shaft Indicator	None
Heater Indicator	No Heater

## Part detail

Revision	M
Type	AC
Mech. spec.	39K70
Base	
Status	PRD/A
Elec. spec.	39WGX952
Layout	39LYK070
Eff. date	11-14-2023
CD Diagram	CD0180
Poles	04
Leads	9#10
Proprietary	False
Created date	06-22-2016

High Voltage Full Load Amps	24.0 a
Insulation Class	F
Inverter Code	Inverter Ready
IP Rating	NONE
KVA Code	G
Lifting Lugs	Standard Lifting Lugs
Locked Bearing Indicator	No Locked Bearing
Motor Lead Exit	Ko Box
Motor Lead Quantity/Wire Size	9 @ 10 AWG
Motor Lead Termination	Flying Leads
Motor Standards	NEMA
Motor Type	3948M
Mounting Arrangement	F2
Number of Poles	4
Overall Length	23.19 IN
Power Factor	85
Product Family	General Purpose
Pulley End Bearing Type	Ball
Pulley Face Code	Standard
Pulley Shaft Indicator	Standard
Rodent Screen	None
Service Factor	1.15
Shaft Diameter	1.625 IN
Shaft Extension Location	Pulley End
Shaft Ground Indicator	No Shaft Grounding
Shaft Rotation	Reversible
Shaft Slinger Indicator	No Slinger
Speed	1765 rpm
Speed Code	Single Speed
Starting Method	Direct on line
Thermal Device - Bearing	None
Thermal Device - Winding	None
Vibration Sensor Indicator	No Vibration Sensor
Winding Thermal 1	None

**Winding Thermal 2**

**None**

---

**Nameplate**

<b>NP1259L</b>									
<b>CAT.NO.</b>	EFM2515T								
<b>SPEC.</b>	39K070X952G1								
<b>HP</b>	20								
<b>VOLTS</b>	230/460								
<b>AMP</b>	48/24								
<b>RPM</b>	1765								
<b>FRAME</b>	256T		<b>HZ</b>	60		<b>PH</b>	3		
<b>SER.F.</b>	1.15	<b>CODE</b>	G	<b>DES</b>	A	<b>CL</b>	F		
<b>NEMA-NOM-EFF</b>	93	<b>PF</b>	85						
<b>RATING</b>	40C AMB-CONT								
<b>CC</b>	010A								
<b>DE</b>	6309		<b>ODE</b>	6208					
<b>ENCL</b>	OPSB	<b>SN</b>							

**Accessories**

<b>Part number</b>	<b>Description</b>	<b>Multiplier</b>
39-3400	C FACE KIT	A8

**AC Induction Motor Performance Data**

Record # 56778

Typical performance - not guaranteed values

<b>Winding: 39WGX952-R001</b>		<b>Type: 3948M</b>		<b>Enclosure: OPSB</b>	
<b>Nameplate Data</b>			<b>460 V, 60 Hz: High Voltage Connection</b>		
<b>Rated Output (HP)</b>	20	<b>Full Load Torque</b>	59.7 LB-FT		
<b>Volts</b>	230/460	<b>Start Configuration</b>	direct on line		
<b>Full Load Amps</b>	48/24	<b>Breakdown Torque</b>	187 LB-FT		
<b>R.P.M.</b>	1765	<b>Pull-up Torque</b>	78.1 LB-FT		
<b>Hz</b>	60	<b>Locked-rotor Torque</b>	112 LB-FT		
<b>NEMA Design Code</b>	A	<b>Starting Current</b>	156 A		
<b>Service Factor (S.F.)</b>	1.15	<b>No-load Current</b>	8.83 A		
<b>NEMA Nom. Eff.</b>	93	<b>Line-line Res. @ 25°C</b>	0.48438 Ω		
<b>Rating - Duty</b>	40C AMB-CONT	<b>Temp. Rise @ Rated Load</b>	37°C		
<b>S.F. Amps</b>		<b>Temp. Rise @ S.F. Load</b>	46°C		
		<b>Locked-rotor Power Factor</b>	33.3		

**Load Characteristics 460 V, 60 Hz, 20 HP**

<b>% of Rated Load</b>	<b>25</b>	<b>50</b>	<b>75</b>	<b>100</b>	<b>125</b>	<b>150</b>	<b>S.F.</b>
<b>Power Factor</b>	50	72	81	85	87	87	86
<b>Efficiency</b>	90.2	93.3	93.5	93	92.2	91	92.5
<b>Speed</b>	1792.2	1784.8	1776.1	1767.5	1757.6	1746.3	1762
<b>Line amperes</b>	10.5	14	18.6	23.8	29.4	35.6	27.2

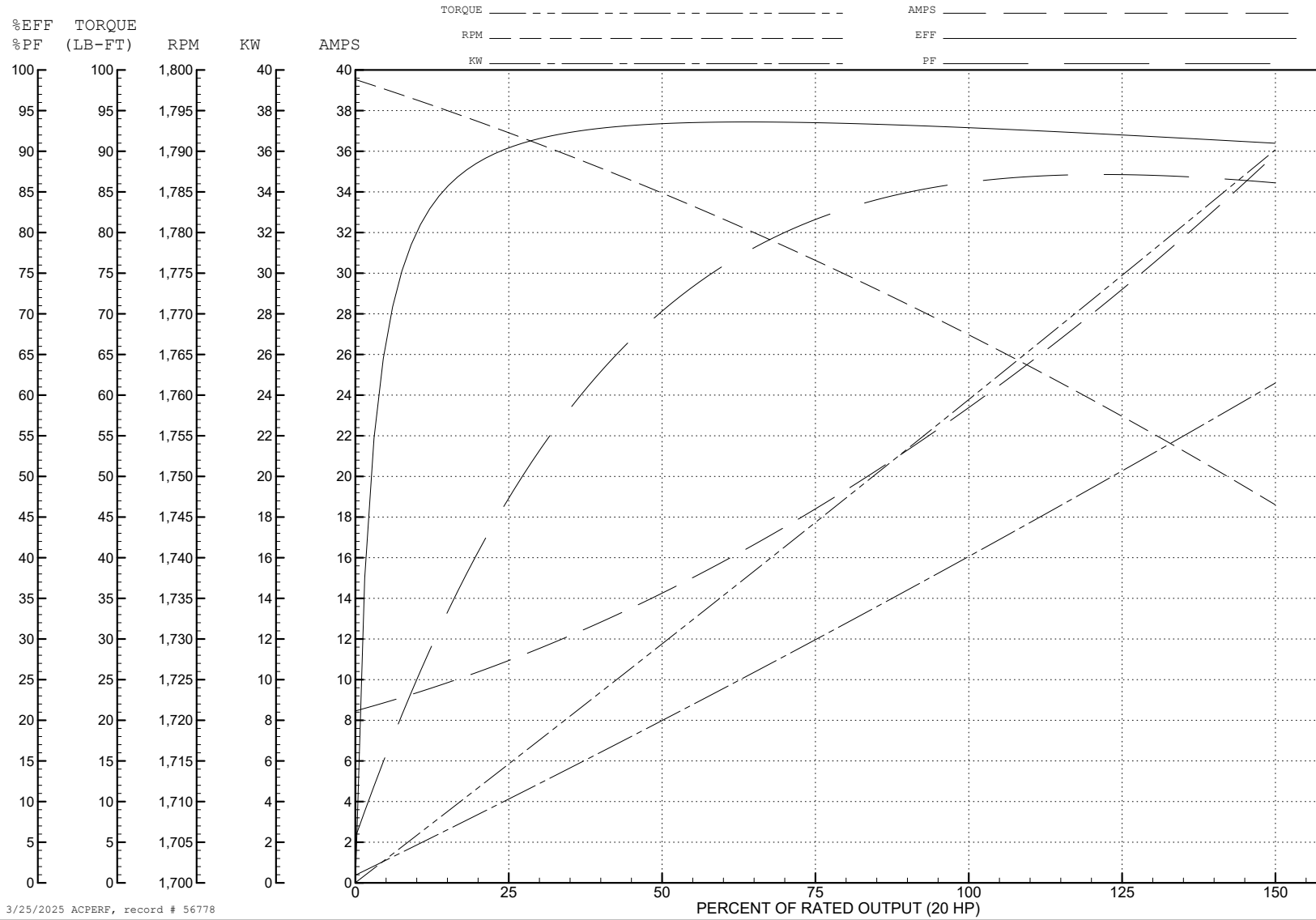
ABB Motors and Mechanical Inc.

WINDING # 39WGX952

Typical performance - not guaranteed values.

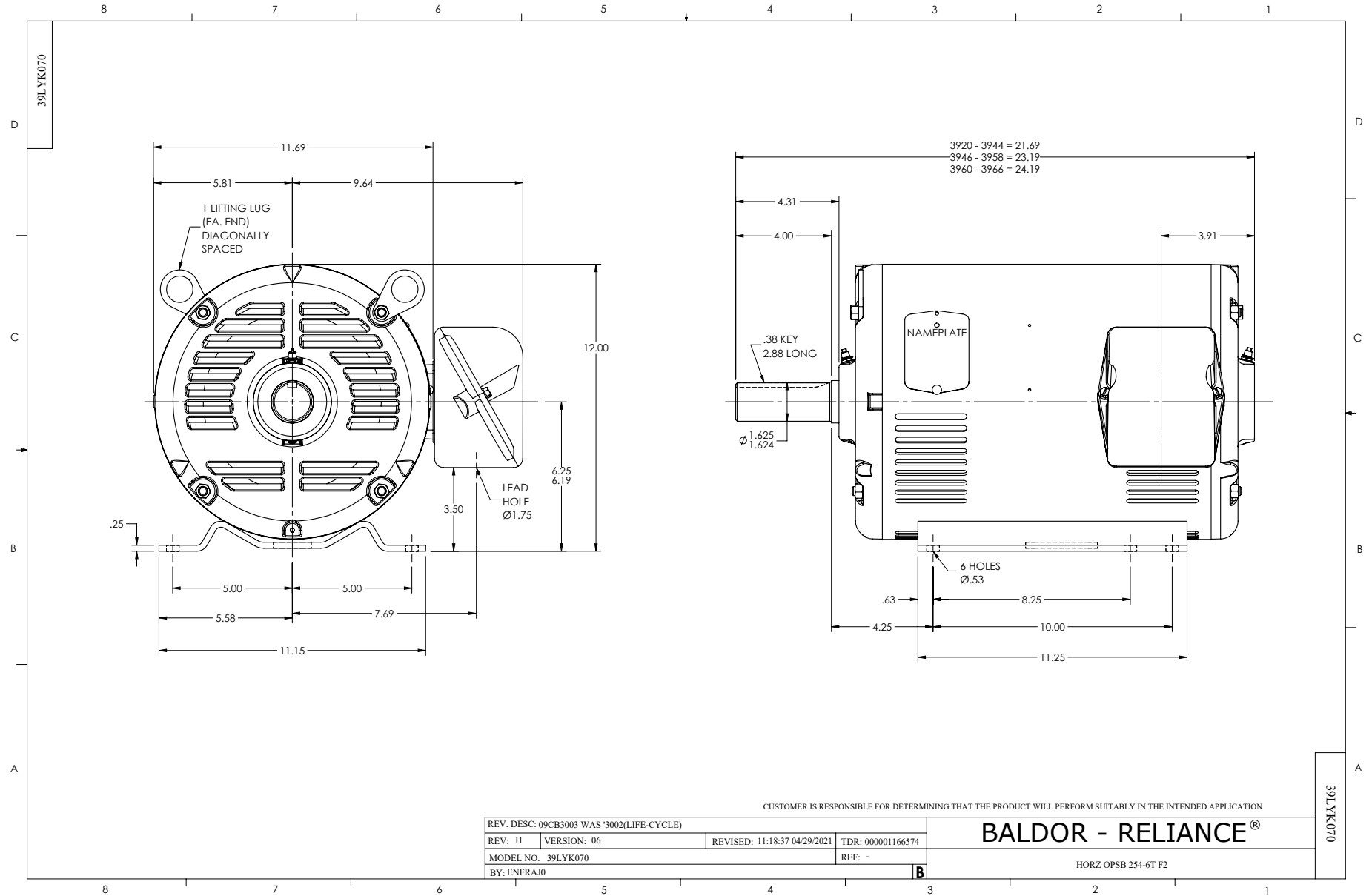
20 HP 3 PH 60 HZ 1765 RPM 460 V 3948M

TORQUES (LB-FT): PO=187 PU=78.1 LR=112 LRA=156

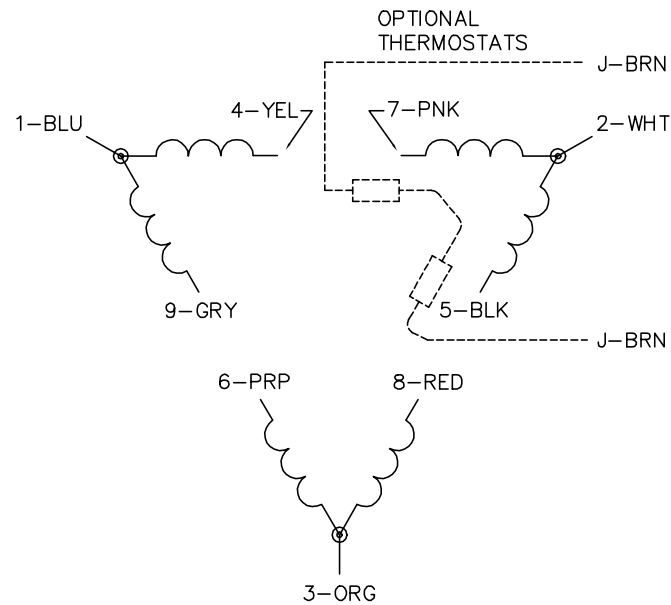


3/25/2025 ACPERF, record # 56778

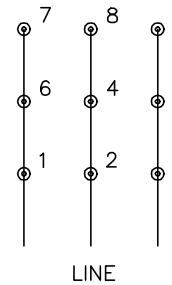




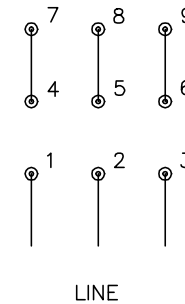
CD0180



LOW VOLTAGE  
(2D)



HIGH VOLTAGE  
(1D)



NOTES:

1. INTERCHANGE ANY TWO LINE LEADS TO REVERSE ROTATION.
2. OPTIONAL THERMOSTATS ARE PROVIDED WHEN SPECIFIED.
3. ACTUAL NUMBER OF INTERNAL PARALLEL CIRCUITS MAY BE A MULTIPLE OF THOSE SHOWN ABOVE.
4. LEAD COLORS ARE OPTIONAL. LEADS MUST ALWAYS BE NUMBERED AS SHOWN.

CD0180

REV. DESC: ADD CLASS CONN00000007		
REV. LTR: D	VERSION: 01	TDR: 000001099922
FILE: \AAA\00005\148	REVISED: 10: 25: 29 02/19/2019	BY: ENBRIRO
MTL: -	© □	

**BALDOR - RELIANCE®**

3PH, DV, 9 LEADS, DELTA CONNECTION

SH 1 of 1