



---

# Customer information packet

## EFM2333T

15HP, 1765RPM, 3PH, 60HZ, 254T, 0944M, TEFC, F2

Class - None

Division - Not Applicable

## Specifications

Enclosure	TEFC
Frame	254T
Frame Material	Iron
Frequency	60.00 Hz
Haz Area Class and Group	None
Haz Area Division	Not Applicable
Motor Letter Type	Three Phase
Output @ Frequency	15.000 HP @ 60 HZ
Phase	3
Synchronous Speed @ Frequency	1800 RPM @ 60 HZ
Voltage @ Frequency	230.0 V @ 60 HZ 460.0 V @ 60 HZ
Agency Approvals	CSA EEV NEMA PREMIUM NEMA_PREMIUM UR
Ambient Temperature	40 °C
Auxillary Box	No Auxillary Box
Auxillary Box Lead Termination	None
Base Indicator	Rigid
Bearing Grease Type	Polyrex EM (-20F +300F)
Blower	None
Current @ Voltage	38.000 A @ 208.0 V 36.200 A @ 230.0 V 18.100 A @ 460.0 V
Design Code	A
Drip Cover	No Drip Cover
Duty Rating	CONT
Efficiency @ 100% Load	92.4 %
Electrically Isolated Bearing	Not Electrically Isolated
Feedback Device	NO FEEDBACK
Front Shaft Indicator	None

## Part detail

Revision	G
Type	AC
Mech. spec.	09C106
Base	
Status	PRD/A
Elec. spec.	09WGT597
Layout	09LYC106
Eff. date	04-16-2024
CD Diagram	CD0005
Poles	04
Leads	9#12
Proprietary	False
Created date	02-02-2021

Heater Indicator	No Heater
High Voltage Full Load Amps	18.1 a
Insulation Class	F
Inverter Code	Inverter Ready
KVA Code	H
Lifting Lugs	Standard Lifting Lugs
Locked Bearing Indicator	No Locked Bearing
Motor Lead Quantity/Wire Size	9 @ 12 AWG
Motor Lead Termination	Flying Leads
Motor Standards	NEMA
Motor Type	0944M
Mounting Arrangement	F2
Number of Poles	4
Overall Length	23.36 IN
Power Factor	84
Product Family	General Purpose
Pulley End Bearing Type	Ball
Pulley Face Code	Standard
Pulley Shaft Indicator	Standard
Rodent Screen	None
Service Factor	1.15
Shaft Diameter	1.625 IN
Shaft Ground Indicator	No Shaft Grounding
Shaft Rotation	Reversible
Shaft Slinger Indicator	Shaft Slinger
Speed	1765 rpm
Speed Code	Single Speed
Starting Method	Direct on line
Thermal Device - Bearing	None
Thermal Device - Winding	None
Vibration Sensor Indicator	No Vibration Sensor
Winding Thermal 1	None
Winding Thermal 2	None

**Nameplate**

<b>NP3441L</b>									
<b>CAT.NO.</b>	EFM2333T								
<b>SPEC.</b>	09C106T597G1								
<b>HP</b>	15								
<b>VOLTS</b>	230/460								
<b>AMP</b>	36.2/18.1								
<b>RPM</b>	1765								
<b>FRAME</b>	254T		<b>HZ</b>	60		<b>PH</b>	3		
<b>SER.F.</b>	1.15	<b>CODE</b>	H	<b>DES</b>	A	<b>CL</b>	F		
<b>NEMA-NOM-EFF</b>	92.4	<b>PF</b>	84						
<b>RATING</b>	40C AMB-CONT								
<b>CC</b>	010A								
<b>DE</b>	6309		<b>ODE</b>	6208					
<b>ENCL</b>	TEFC	<b>SN</b>							
<b>VPWM INVERTER READY</b>									
<b>CT6-60H(10:1)VT3-60H(20:1</b>									
	SFA 41/20.4								

**Accessories**

<b>Part number</b>	<b>Description</b>	<b>Multiplier</b>
09-1309	C FACE KIT	A8

**AC Induction Motor Performance Data**

Record # 93306

Typical performance - not guaranteed values

Winding: 09WGT597-R001		Type: 0944M		Enclosure: TEFC				
<b>Nameplate Data</b>			<b>460 V, 60 Hz: High Voltage Connection</b>					
Rated Output (HP)	15	Full Load Torque	44.59 LB-FT					
Volts	230/460	Start Configuration	direct on line					
Full Load Amps	36.2/18.1	Breakdown Torque	151 LB-FT					
R.P.M.	1765	Pull-up Torque	76.5 LB-FT					
Hz	60 Phase	3	Locked-rotor Torque	84.9 LB-FT				
NEMA Design Code	A	KVA Code	H	Starting Current	131 A			
Service Factor (S.F.)	1.15	No-load Current	7.72 A					
NEMA Nom. Eff.	92.4	Power Factor	84	Line-line Res. @ 25°C	0.61892 Ω			
Rating - Duty	40C	AMB-CONT	Temp. Rise @ Rated Load			50°C		
S.F. Amps	41/20.4	Temp. Rise @ S.F. Load	61°C					
		Locked-rotor Power Factor	33.3					

**Load Characteristics 460 V, 60 Hz, 15 HP**

% of Rated Load	25	50	75	100	125	150	S.F.
Power Factor	46	68	78	83	85	86	84
Efficiency	87.5	91.8	92.6	92.4	91.8	90.8	92
Speed	1791.8	1784.7	1777	1768.8	1759.2	1749.3	1763
Line amperes	8.82	11.3	14.6	18.3	22.4	26.9	20.8

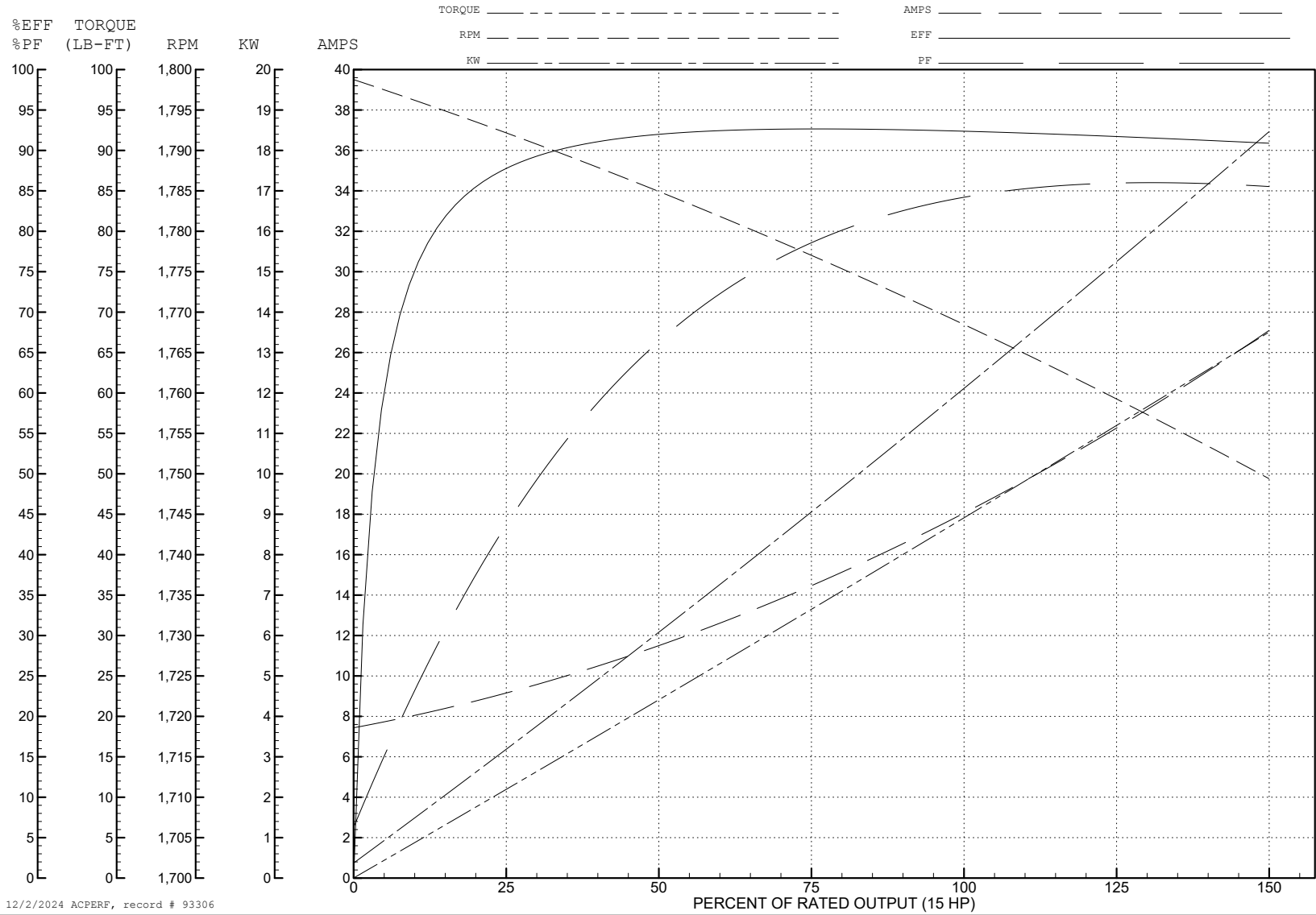
ABB Motors and Mechanical Inc.

WINDING # 09WGT597

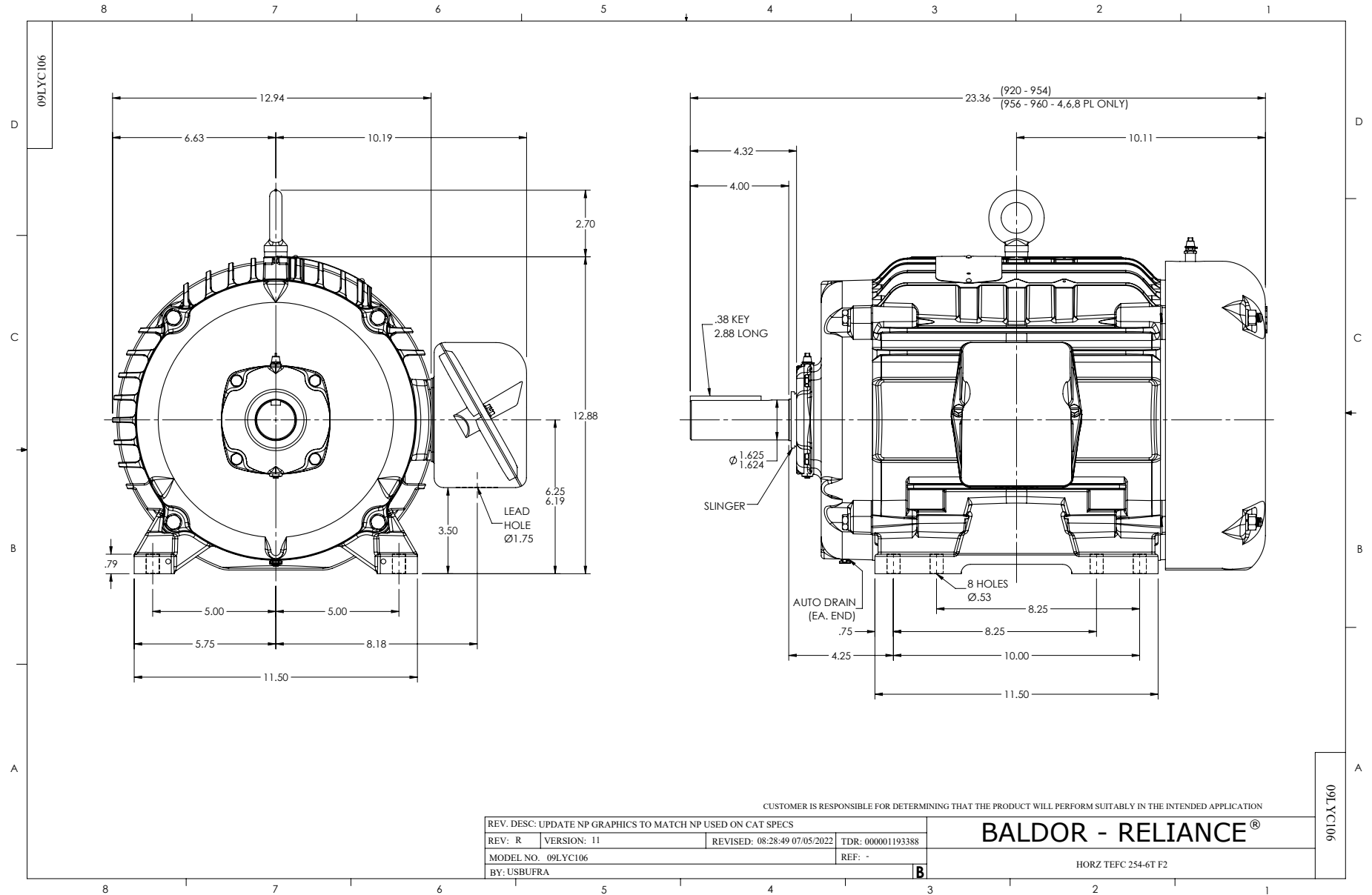
Typical performance - not guaranteed values.

15 HP 3 PH 60 HZ 1765 RPM 460 V 0944M

TORQUES (LB-FT): PO=151 PU=76.5 LR=84.9 LRA=131



12/2/2024 ACPERF, record # 93306





CD0005



LOW VOLTAGE  
(2Y)



LINE

HIGH VOLTAGE  
(1Y)



LINE

NOTES:

1. INTERCHANGE ANY TWO LINE LEADS TO REVERSE ROTATION.
2. OPTIONAL THERMOSTATS ARE PROVIDED WHEN SPECIFIED.
3. ACTUAL NUMBER OF INTERNAL PARALLEL CIRCUITS MAY BE A MULTIPLE OF THOSE SHOWN ABOVE.
4. LEAD COLORS ARE OPTIONAL. LEADS MUST ALWAYS BE NUMBERED AS SHOWN.

CD0005

REV. DESC: REVISE TO SHOW OPTIONAL COLORS			
REV. LTR: E	BY: JLP	REVISED: 01/19/99 10:15	TDR: 0171435
S00000		FILE: AAA00005140	MDL: -
		MTL: -	

**BALDOR ELECTRIC Co.**

3PH, DV, 9 LEADS