



Customer information packet

ECTM4403T-5G

60HP, 1185RPM, 3PH, 60HZ, 405T, A40064M, TEFC

Class - None

Division - Not Applicable

Specifications

Enclosure	TEFC
Frame	405T
Frame Material	Iron
Frequency	60.00 Hz
Haz Area Class and Group	None
Haz Area Division	Not Applicable
Motor Letter Type	Three Phase
Output @ Frequency	60.000 HP @ 60 HZ
Phase	3
Synchronous Speed @ Frequency	1200 RPM @ 60 HZ
Voltage @ Frequency	575.0 V @ 60 HZ
Agency Approvals	CCSAUSEEV
Ambient Temperature	40 °C
Auxiliary Box	NO AUXILLARY BOX
Base Indicator	Rigid
Bearing Grease Type	Polyrex EM (-20F +300F)
Current @ Voltage	55.200 A @ 575.0 V
Design Code	B
Drip Cover	No Drip Cover
Duty Rating	CONT
Efficiency @ 100% Load	95.0 %
Feedback Device	NO FEEDBACK
Heater Indicator	Heater Included, 115 V
High Voltage Full Load Amps	55.2 a
Insulation Class	F
Inverter Code	Inverter Ready
KVA Code	G
Lifting Lugs	Standard Lifting Lugs
Motor Lead Quantity/Wire Size	3 @ 4 AWG
Motor Standards	NEMA
Motor Type	A40064M
Mounting Arrangement	F1

Part detail

Revision	D
Type	AC
Mech. spec.	
Base	
Status	PRD/A
Elec. spec.	A40WG0845
Layout	617433-750
Eff. date	06-17-2026
CD Diagram	416820-036
Poles	06
Leads	3#4
Proprietary	False
Created date	04-13-2022

Number of Poles	6
Overall Length	38.19 IN
Power Factor	86
Product Family	Cooling Tower
Pulley End Bearing Type	Ball
Pulley Face Code	Standard
Service Factor	1.15
Shaft Diameter	2.875 IN
Shaft Ground Indicator	Shaft Grounding
Shaft Rotation	Reversible
Shaft Slinger Indicator	Shaft Slinger
Speed	1185 rpm
Speed Code	Single Speed
Starting Method	Direct on line
Thermal Device - Bearing	None
Thermal Device - Winding	None

Nameplate

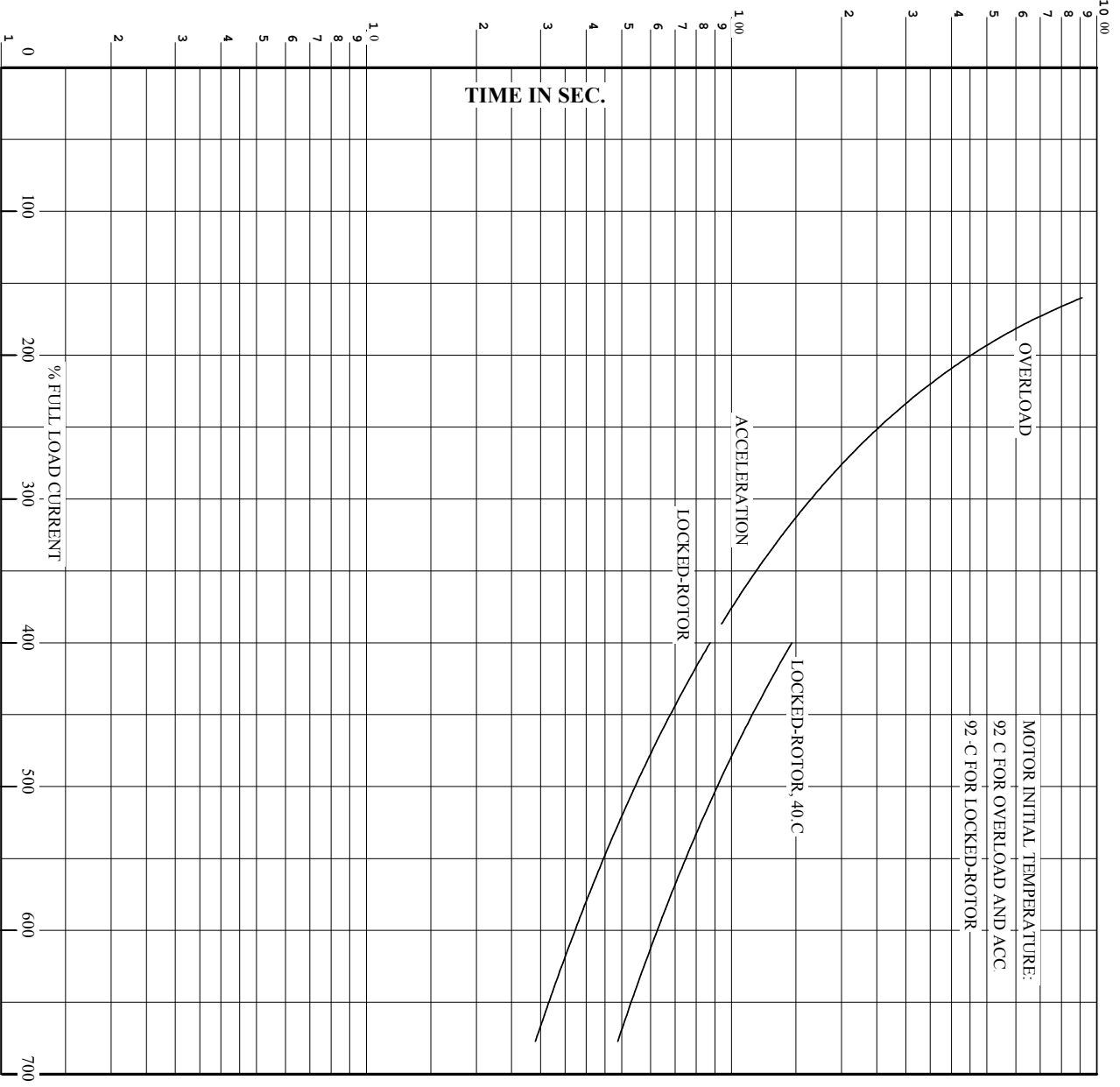
000613007EW

CAT.NO.	ECTM4403T-5G		SPEC NO.	A40-7215-0845					
HP	60	AMPS	55.2	VOLTS	575	DESIGN	B		
FRAME	405T	RPM	1185	HZ	60	AMB	40	SF	1.15
DRIVE END BEARING	80BC03J30X		PH	3	DUTY	CONT	INSUL.CLASS	F	
OPP D.E. BEARING	80BC03J30X		TYPE	P	ENCL	TEFC	CODE	G	
D.E.BRG.DATA	6316		POWER FACTOR	86		NEMA NOM EFFICIENCY	95		
O.D.E.BRG.DATA	6316		MAX CORR KVAR			GUARANTEED EFFICIENCY	94.1		
3/4 LOAD EFF.	95		NEMA NOM/CSA QUOTED EFF						
SER.NO.			MOTOR WEIGHT						

000901002AAA

INV DUTY 20:1 VT

REL. S.O. _____ RPM **1185** S.F. **1.15** ROTOR **418142-71EE**
 FRAME **404LP** VOLTS **575** NEMA DESIGN **B** TEST S.O. **TYPICAL DATA**
 HP **60** AMPS **55.2** CODE LETTER **G** TEST DATE **---**
 TYPE **P** DUTY **CONT** ENCLOSURE **TEFC-841** STATOR RES @ 25 °C. **171**
 PHASE/HERTZ **3/60** AMB °C/INSUL **40/F** E/S **595763** OHMS (BETWEEN LINES)



REMARKS: THERMAL LIMIT CURVE
 XE MOTOR-NEMA NOM. EFF. 95.0%
 GUARANTEED MIN. EFF. 94.5%

AMPERES SHOWN FOR 575 VOLT CONNECTION, IF OTHER VOLTAGE CONNECTIONS ARE AVAILABLE, THE AMPERES WILL VARY INVERSELY WITH THE RATED VOLTAGE.

BALDOR A MEMBER OF THE ABB GROUP

DR. BY	CD	A-C MOTOR
CK. BY	GD	PERFORMANCE
APP. BY	T. KELATI	A40WG0845-R006
DATE	10/06/2014	ISSUE DATE
		10/06/2014

REL. S.O.	FRAME	HP	TYPE	PHASE/HERTZ	RPM	VOLTS
	404LP	60	P	3/60	1185	575
AMPS	DUTY	AMB ^o C/ INSUL.	S.F.	NEMA DESIGN	CODE LETTER	ENCL.
55.2	CONT	40/F	1.15	B	G	TEFC-841
E/S	ROTOR	TEST S.O.	TEST DATE	STATOR RES. @25 ^o C (BETWEEN LINES)		
595763	418142-71EE	---	---	.171		

PERFORMANCE

LOAD	HP	AMPERES	RPM	POWER FACTOR %	EFFICIENCY %
NO LOAD	0	15.9	1200	5.37	0
1/4	15.0	20.7	1197	58.9	92.3
2/4	30.0	30.2	1194	78.5	94.8
3/4	45.0	42.0	1191	84.2	95.2
4/4	60.0	55.2	1187	85.8	95.0
5/4	75.0	69.0	1184	86.2	94.4

SPEED TORQUE

	RPM	TORQUE % FULL LOAD	TORQUE LB.-FT.	AMPERES
LOCKED ROTOR	0	159	421	340
PULL UP	240	145	385	329
BREAKDOWN	1133	247	654	194
FULL LOAD	1187	100	265	55.2

AMPERES SHOWN FOR 575. VOLT CONNECTION. IF OTHER VOLTAGE CONNECTIONS ARE AVAILABLE, THE AMPERES WILL VARY INVERSELY WITH THE RATED VOLTAGE

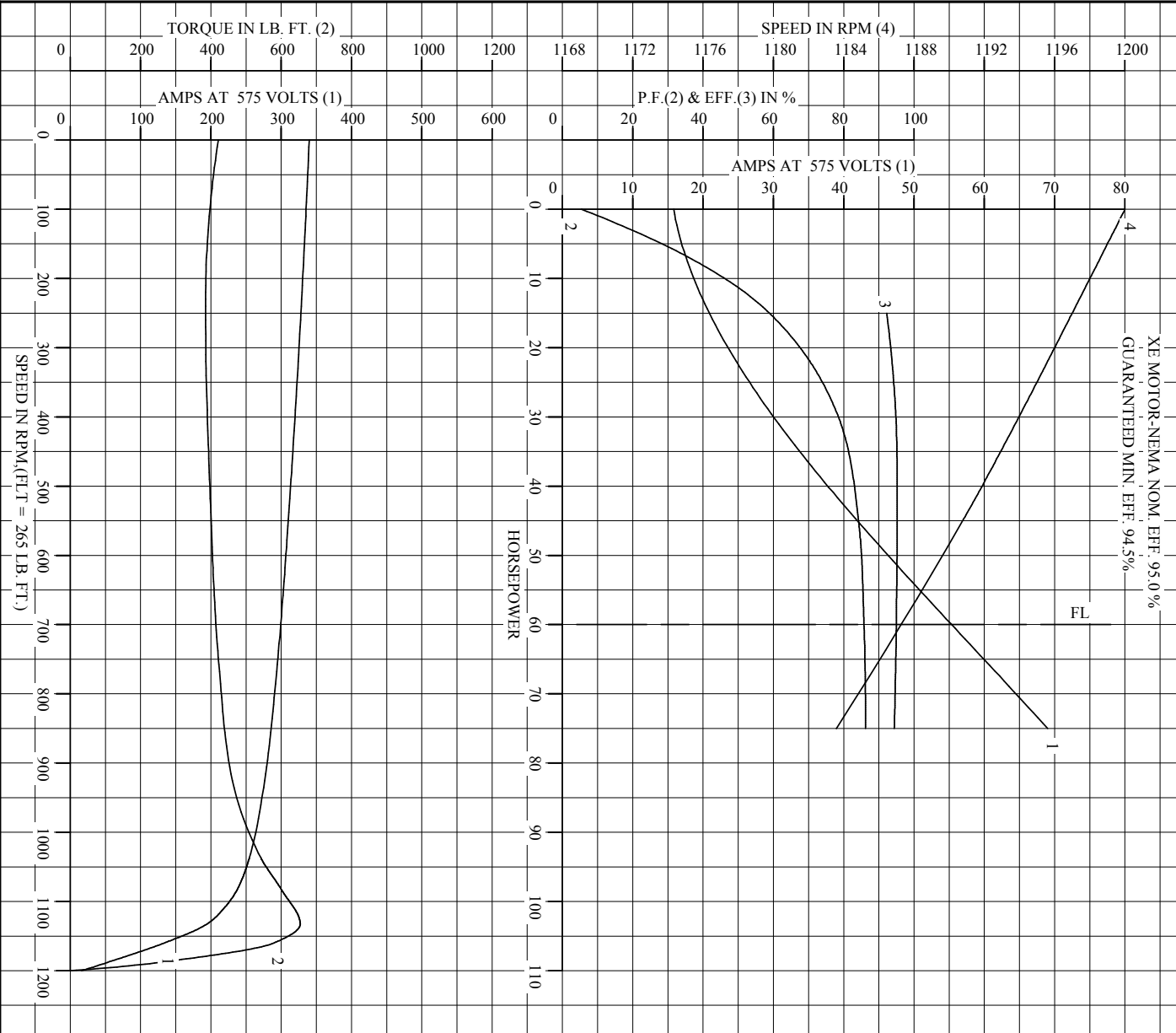
REMARKS: TYPICAL DATA
 XE MOTOR-NEMA NOM. EFF. 95.0 %
 GUARANTEED MIN. EFF. 94.5 %



DR. BY	CD
CK. BY	CD
APP. BY	T. KEMATI
DATE	10/06/2014

A-C MOTOR	A40WG0845-R006
PERFORMANCE DATA	ISSUE DATE 10/06/20

REL. S. O.		RPM	1185	S. F.	1.15	ROTOR	4181A2-71EE
FRAME	4041P	VOLTS	575	NEMA DESIGN	B	TEST S. O.	TYPICAL DATA
HP	60	AMPS	55.2	CODE LETTER	G	TEST DATE	---
TYPE	P	DUTY	CONT	ENCLOSURE	TEFC-841	STATOR RES. @ 25 °C	.171
PHASE/HERTZ	3/60	AMB °C/INSUL	40/F	E/S	595763	OHMS (BETWEEN LINES)	



AMPERES SHOWN FOR 575 VOLT CONNECTION, IF OTHER VOLTAGE CONNECTIONS ARE AVAILABLE, THE AMPERES WILL VARY INVERSELY WITH THE RATED VOLTAGE.



DR. BY _____ CD _____
 CK. BY _____
 App. BY T. KELATI
 DATE 10/06/2014

A-C MOTOR
PERFORMANCE
CURVES
A40W G0845-R006
 ISSUE DATE 10/06/2014

617433-750

DUTY MASTER ALTERNATING CURRENT MOTORS

SQUIRREL-CAGE INDUCTION

ENCLOSURE: TOTALLY ENCLOSED

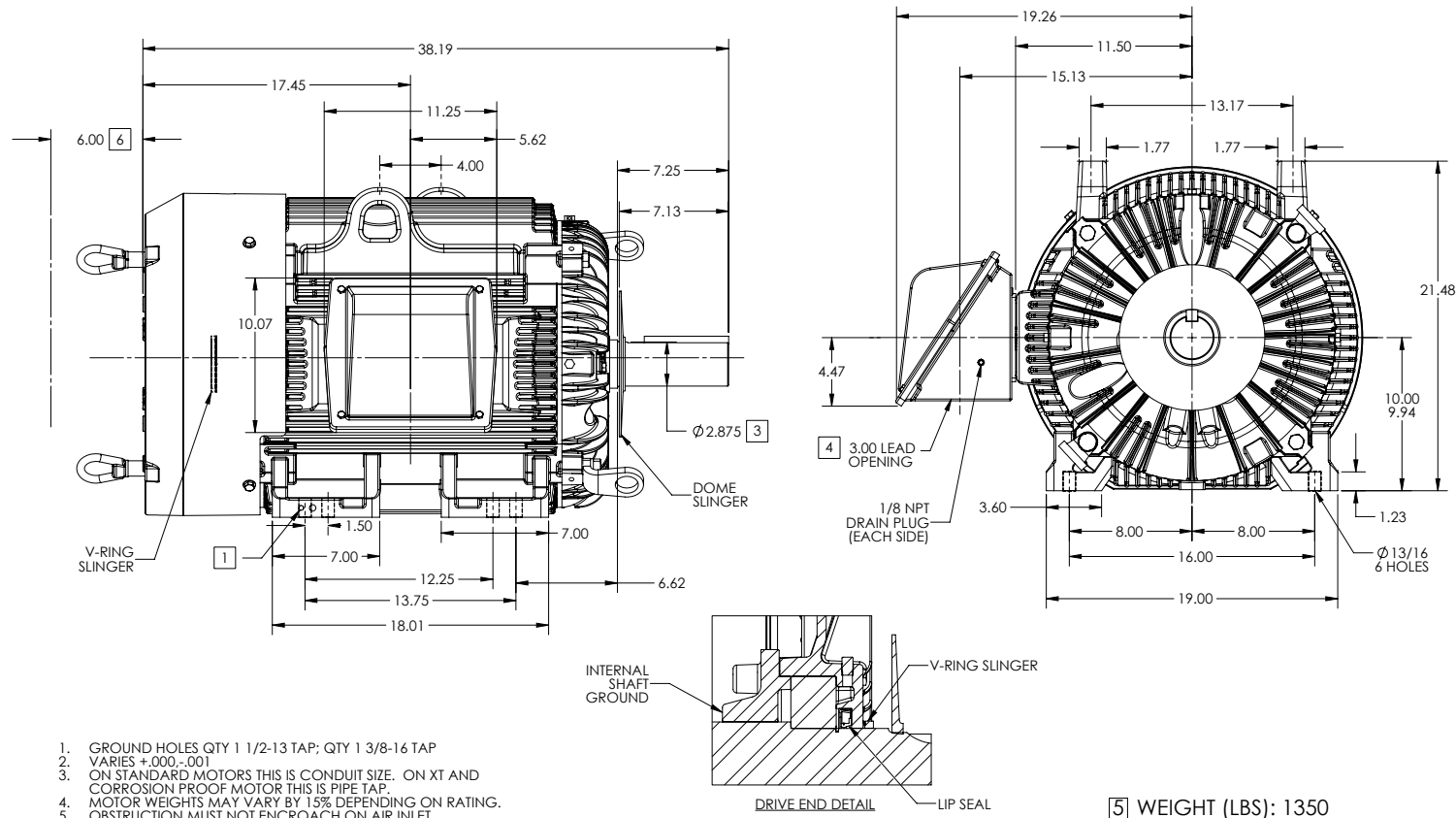
FRAME G405T ABOVE NEMA RATINGS

COOLING: FAN COOLED

MOUNTING: FOOT

INCLUDES 404T FRAME MOUNTING HOLES

STANDARD INDUSTRIAL ENCLOSURE



1. GROUND HOLES QTY 1 1/2-13 TAP; QTY 1 3/8-16 TAP
2. VARIES +.000,-.001
3. ON STANDARD MOTORS THIS IS CONDUIT SIZE. ON XT AND CORROSION PROOF MOTOR THIS IS PIPE TAP.
4. MOTOR WEIGHTS MAY VARY BY 15% DEPENDING ON RATING. OBSTRUCTION MUST NOT ENCROACH ON AIR INLET

CONDUIT BOX LOCATED ON OPPOSITE SIDE WHEN F-1. IF MOUNTING CLEARANCE DETAILS ARE REQUIRED, CONSULT FACTORY. MAXIMUM PERMISSIBLE SHAFT RUNOUT WHEN MEASURED AT END OF STANDARD SHAFT EXTENSION IS .003" T.I.R. TO 5 INCH DIA.

DIMENSIONS ARE IN INCHES

CUSTOMER IS RESPONSIBLE FOR DETERMINING THAT MOTOR PERFORMANCE IS SUITABLE IN THE APPLICATION.

SHEET NUMBER
1 OF 1

05L-337119

REV. DESC: NEW	VERSION: 00	REVISED: 02-16-38 04/26/2022	TDR: 000001187873
MODEL NO. 617433-750	REF:		
BY: USBUFRA	Material:		

BALDOR

G405T-404T STD - FOOTED - STD ENCL F1 LIPSEAL/V-SLG D.E.

617433-750

416820-036

A-C MOTOR
CONNECTION DIAGRAM
STANDARD 3 LEAD CONNECTED



(N.P. 1575-BA)

REV. DESC: LOADED TO BUS, C/R 335225		
REV. LTR: -	VERSION: 00	TDR: 000000538207
FILE: \MGA\00000\682	REVISED: 11:54:06 04/30/2010	
MTL: -	BY: RAGRA	

BALDOR

CONN DIAG - STANDARD 3 LEAD
SH 1 of 1

416820-036