

BALDOR • RELIANCE

Customer information packet

ECTM4314T

60HP, 1780RPM, 3PH, 60HZ, 364T, 1462M, TEAO, F1

Class - None

Division - Not Applicable

Specifications

Enclosure	TEAO
Frame	364T
Frame Material	Iron
Frequency	60.00 Hz
Haz Area Class and Group	None
Haz Area Division	Not Applicable
Motor Letter Type	Three Phase
Output @ Frequency	60.000 HP @ 60 HZ
Phase	3
Synchronous Speed @ Frequency	1800 RPM @ 60 HZ
Voltage @ Frequency	230.0 V @ 60 HZ 460.0 V @ 60 HZ
Agency Approvals	CSA EEV
Ambient Temperature	40 °C
Auxillary Box	No Auxillary Box
Base Indicator	Rigid
Bearing Grease Type	Polyrex EM (-20F +300F)
Current @ Voltage	136.000 A @ 230.0 V 68.000 A @ 460.0 V
Design Code	B
Drip Cover	No Drip Cover
Duty Rating	CONT
Efficiency @ 100% Load	95.0 %
Feedback Device	NO FEEDBACK
Heater Indicator	No Heater
High Voltage Full Load Amps	68.0 a
Insulation Class	F
Inverter Code	Not Inverter
KVA Code	G
Lifting Lugs	Standard Lifting Lugs
Motor Lead Quantity/Wire Size	3 @ 4 AWG
Motor Standards	NEMA

Part detail

Revision	P
Type	AC
Mech. spec.	
Base	
Status	PRD/A
Elec. spec.	A36WG4075
Layout	617431-836
Eff. date	05-26-2023
CD Diagram	CD0180
Poles	04
Leads	3#4,6#6 Y
Proprietary	False
Created date	10-19-2010

Motor Type	A36062M
Mounting Arrangement	F1
Number of Poles	4
Overall Length	29.70 IN
Power Factor	87
Pulley End Bearing Type	Ball
Pulley Face Code	Standard
Service Factor	1.15
Shaft Ground Indicator	No Shaft Grounding
Shaft Rotation	Reversible
Shaft Slinger Indicator	No Slinger
Speed	1780 rpm
Speed Code	Single Speed
Starting Method	Direct on line
Thermal Device - Bearing	None
Thermal Device - Winding	None

Nameplate

NP4486										
CAT.NO.	ECTM4314T			SPEC NO.	P36G3418					
HP	60HP	AMPS	140/70	VOLTS	230/460		DESIGN	B		
FRAME	364T	RPM	1780	HZ	60	AMB	40	SF	1.15	
DRIVE END BEARING	65BC03JGG30A		PH	3	DUTY	CONT		INSUL.CLASS	F	
OPP D.E. BEARING	65BC03JGG30A		TYPE	P	ENCL	TEAO	CODE	G		
D.E.BRG.DATA	6313		POWER FACTOR	84		NEMA NOM EFFICIENCY	95			
O.D.E.BRG.DATA	6313		MAX CORR KVAR	15.00		GUARANTEED EFFICIENCY	94.1			
3/4 LOAD EFF.	95		NEMA NOM/CSA QUOTED EFF							
SER.NO.				MOTOR WEIGHT	835					

000901002AAA

1000 MIN FPM @ RATED HP AND SF

AIR OVER MOTOR

INV DUTY 20:1VT

SHEET NUMBER
1 OF 1

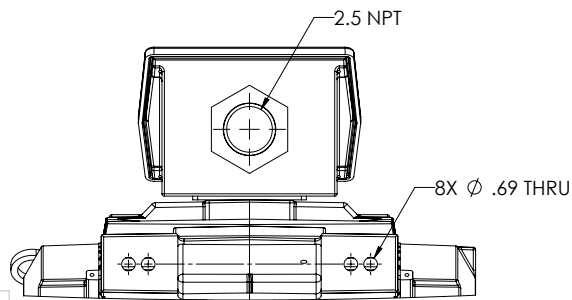
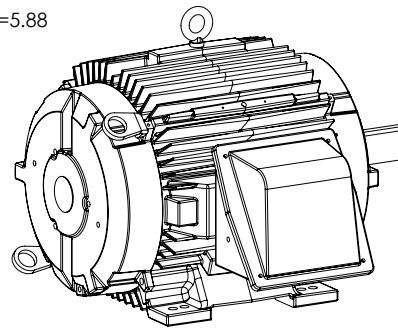
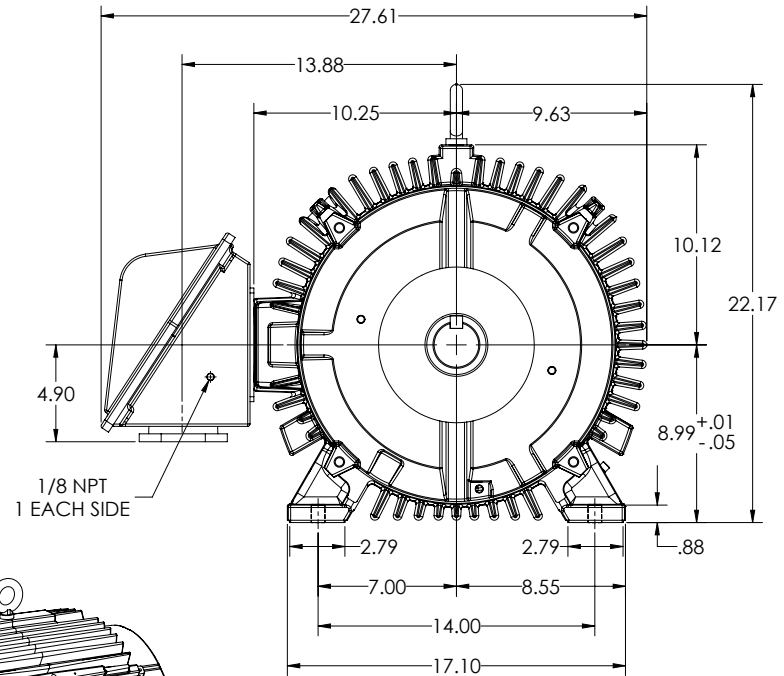
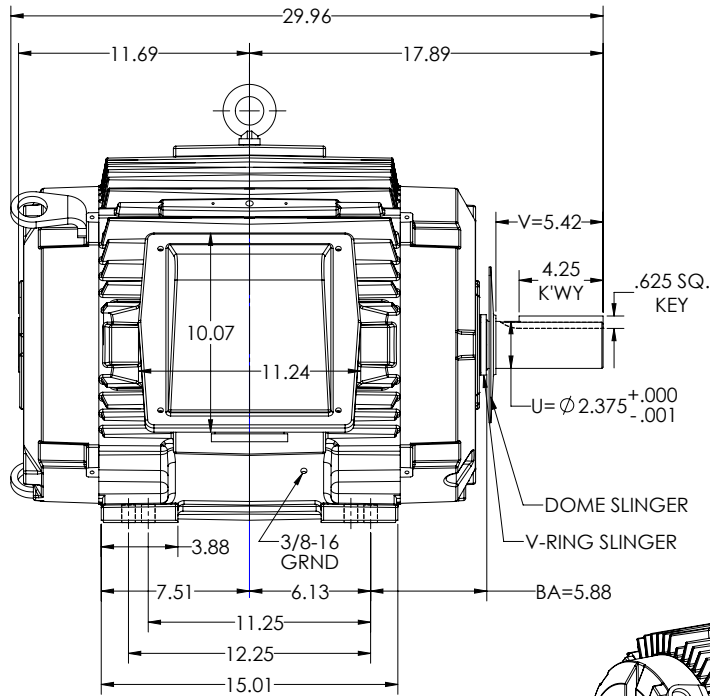
DUTY MASTER ALTERNATING CURRENT MOTORS
SQUIRREL-CAGE INDUCTION

617431-836

ENCLOSURE: TOTALLY ENCLOSED
MOUNTING: FOOT, F-1 SIDE

FRAME 365T
INCLUDES 364T FRAME MOUNTING HOLES

COOLING: NON-VENTILATION



IF MOUNTING CLEARANCE DETAILS ARE REQUIRED, CONSULT FACTORY.
MAXIMUM PERMISSIBLE SHAFT RUNOUT WHEN MEASURED AT END OF
STANDARD SHAFT EXTENSION IS .003" T.I.R.

DIMENSIONS ARE IN INCHES

CUSTOMER IS RESPONSIBLE FOR DETERMINING THAT MOTOR PERFORMANCE IS SUITABLE IN THE APPLICATION.

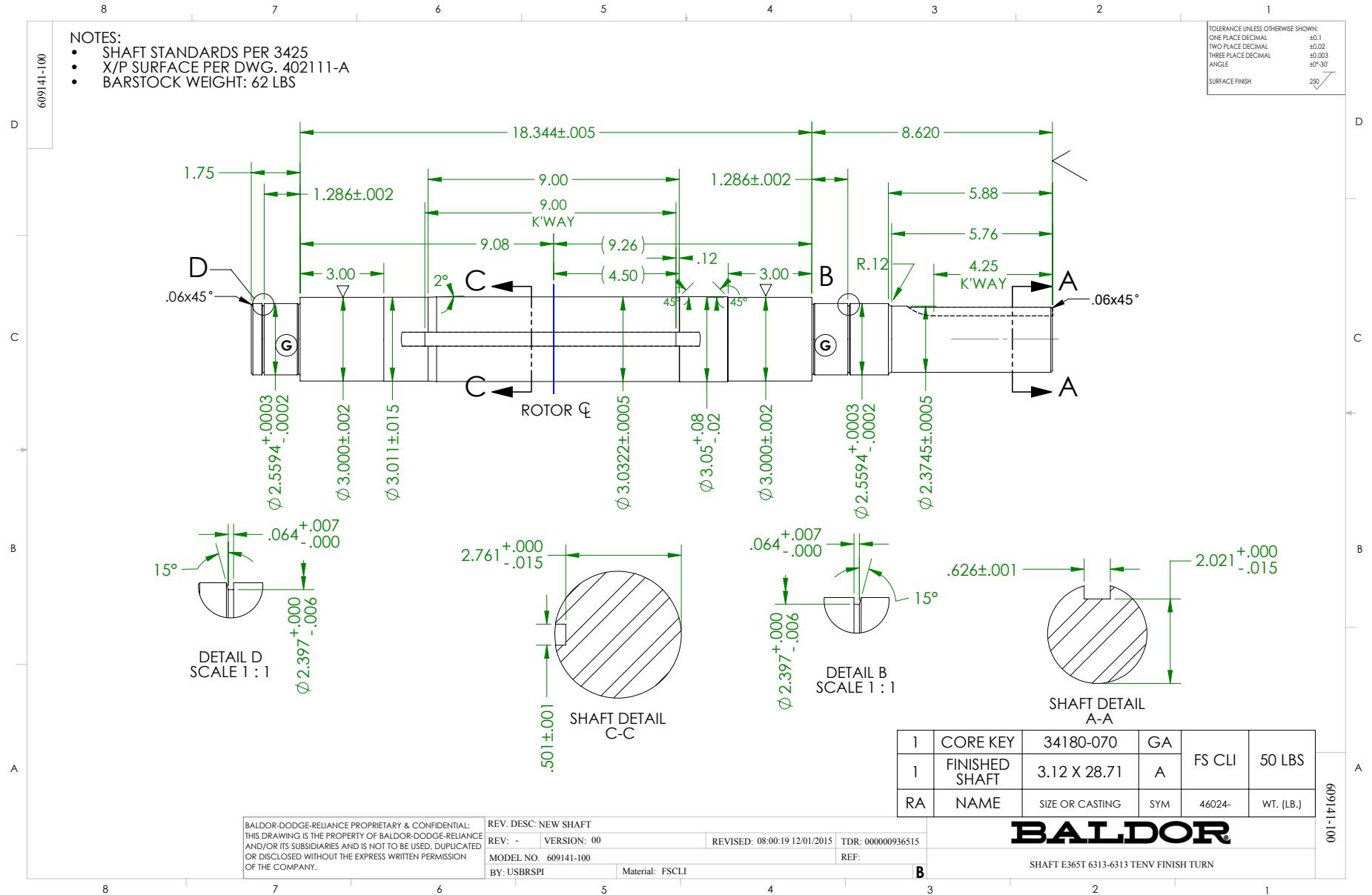
REV. DISC: ADDED CBOX REDUCER 3-2.5" NPT	REVISED: 03/04/29 03/17/2016	TDR: 00000971426
REV: A	VERSION: 01	
MODEL NO. 617431-836		
BY: RAGBXN		

BALDOR

E365T TENV FT-F1-SLGR, SPCL DRAIN, VERT LIFTING

988-131719

617431-836



CD0180



LOW VOLTAGE
(2D)



HIGH VOLTAGE
(1D)



NOTES:

1. INTERCHANGE ANY TWO LINE LEADS TO REVERSE ROTATION.
2. OPTIONAL THERMOSTATS ARE PROVIDED WHEN SPECIFIED.
3. ACTUAL NUMBER OF INTERNAL PARALLEL CIRCUITS MAY BE A MULTIPLE OF THOSE SHOWN ABOVE.
4. LEAD COLORS ARE OPTIONAL. LEADS MUST ALWAYS BE NUMBERED AS SHOWN.

CD0180

REV. DESC: ADD CLASS CONN00000007		
REV. LTR: D	VERSION: 01	TDR: 000001099922
FILE: \AAA\00005\148	REVISED: 10:25:29 02/19/2019	BY: ENBRIRO
MTL: -	© □	

BALDOR - RELIANCE®

3PH, DV, 9 LEADS, DELTA CONNECTION

SH 1 of 1