

BALDOR • RELIANCE

Customer information packet

ECTM4117T-5G

30HP, 1180RPM, 3PH, 60HZ, 326T, 1264M, TEFC, F1

Class - None

Division - Not Applicable

Copyright © All product information within this document is subject to ABB Motors and Mechanical Inc. copyright © protection, unless otherwise noted.

10/5/2024 1:21:59 AM

Specifications

Enclosure	TEFC
Frame	326T
Frame Material	Iron
Frequency	60.00 Hz
Haz Area Class and Group	None
Haz Area Division	Not Applicable
Motor Letter Type	Three Phase
Output @ Frequency	30.000 HP @ 60 HZ
Phase	3
Synchronous Speed @ Frequency	1200 RPM @ 60 HZ
Voltage @ Frequency	575.0 V @ 60 HZ
Agency Approvals	CSA EEV NEMA PREMIUM NEMA_PREMIUM UR
Ambient Temperature	40 °C
Auxillary Box	No Auxillary Box
Auxillary Box Lead Termination	None
Base Indicator	Rigid
Bearing Grease Type	Polyrex EM (-20F +300F)
Blower	None
Current @ Voltage	30.900 A @ 575.0 V
Design Code	A
Drip Cover	No Drip Cover
Duty Rating	CONT
Efficiency @ 100% Load	93.0 %
Electrically Isolated Bearing	Not Electrically Isolated
Feedback Device	NO FEEDBACK
Front Shaft Indicator	Tapped & Key
Heater Indicator	Heater Included, 115 V
High Voltage Full Load Amps	30.9 a
Insulation Class	F

Part detail

Revision	C
Type	AC
Mech. spec.	12T112
Base	
Status	PRD/A
Elec. spec.	12WGY454
Layout	12LYT112
Eff. date	08-01-2023
CD Diagram	CD0006
Poles	06
Leads	3#8
Proprietary	False
Created date	04-14-2022

Inverter Code	Not Inverter
KVA Code	G
Lifting Lugs	Vertical Lifting Lugs
Locked Bearing Indicator	Locked Bearing
Motor Lead Quantity/Wire Size	3 @ 8 AWG
Motor Lead Termination	Flying Leads
Motor Standards	NEMA
Motor Type	1264M
Mounting Arrangement	F1
Number of Poles	6
Overall Length	30.34 IN
Power Factor	78
Product Family	Chemical Processing (Not DC)
Pulley End Bearing Type	Sealed Bearing
Pulley Face Code	Standard
Pulley Shaft Indicator	Tapped & Key
Rodent Screen	None
RoHS Status	ROHS COMPLIANT
Service Factor	1.15
Shaft Diameter	2.125 IN
Shaft Ground Indicator	Shaft Grounding
Shaft Rotation	Reversible
Shaft Slinger Indicator	Shaft Slinger
Speed	1180 rpm
Speed Code	Single Speed
Starting Method	Direct on line
Thermal Device - Bearing	None
Thermal Device - Winding	None
Vibration Sensor Indicator	No Vibration Sensor
Winding Thermal 1	None
Winding Thermal 2	None

Nameplate

NP1260									
CAT.NO.	ECTM4117T-5G								
SPEC.	12T112Y454G1								
HP	30								
VOLTS	575								
AMP	30.9								
RPM	1180								
FRAME	326T	HZ	60	PH	3				
SER.F.	1.15	CODE	G	DES	A	CL	F		
NEMA-NOM-EFF	93	PF	78						
RATING	40C AMB-CONT								
CC									
DE	6312	ODE	6311						
ENCL	TEFC	SN							
	INV DUTY 20:1VT								

AC Induction Motor Performance Data

Record # 34411

Typical performance - not guaranteed values

Winding: 12WGY454-R001		Type: 1264M		Enclosure: TEFC	
Nameplate Data			575 V, 60 Hz: Single Voltage Motor		
Rated Output (HP)	30	Full Load Torque	133 LB-FT		
Volts	575	Start Configuration	direct on line		
Full Load Amps	30.9	Breakdown Torque	333 LB-FT		
R.P.M.	1180	Pull-up Torque	142 LB-FT		
Hz	60	Phase	3	Locked-rotor Torque	186 LB-FT
NEMA Design Code	A	KVA Code	G	Starting Current	187 A
Service Factor (S.F.)			1.15	No-load Current	13.4 A
NEMA Nom. Eff.	93	Power Factor	78	Line-line Res. @ 25°C	0.349 Ω
Rating - Duty	40C AMB-CONT			Temp. Rise @ Rated Load	55°C
S.F. Amps				Temp. Rise @ S.F. Load	67°C
				Locked-rotor Power Factor	28
				Rotor inertia	12.2 LB-FT ²

Load Characteristics 575 V, 60 Hz, 30 HP

% of Rated Load	25	50	75	100	125	150	S.F.
Power Factor	43	64	73	78	80	81	79
Efficiency	87.3	92.3	93.1	93	93.4	91	92.6
Speed	1195	1192	1188	1183	1178	1172	1180
Line amperes	15.1	19.2	24.7	30.9	38	47.5	35.2

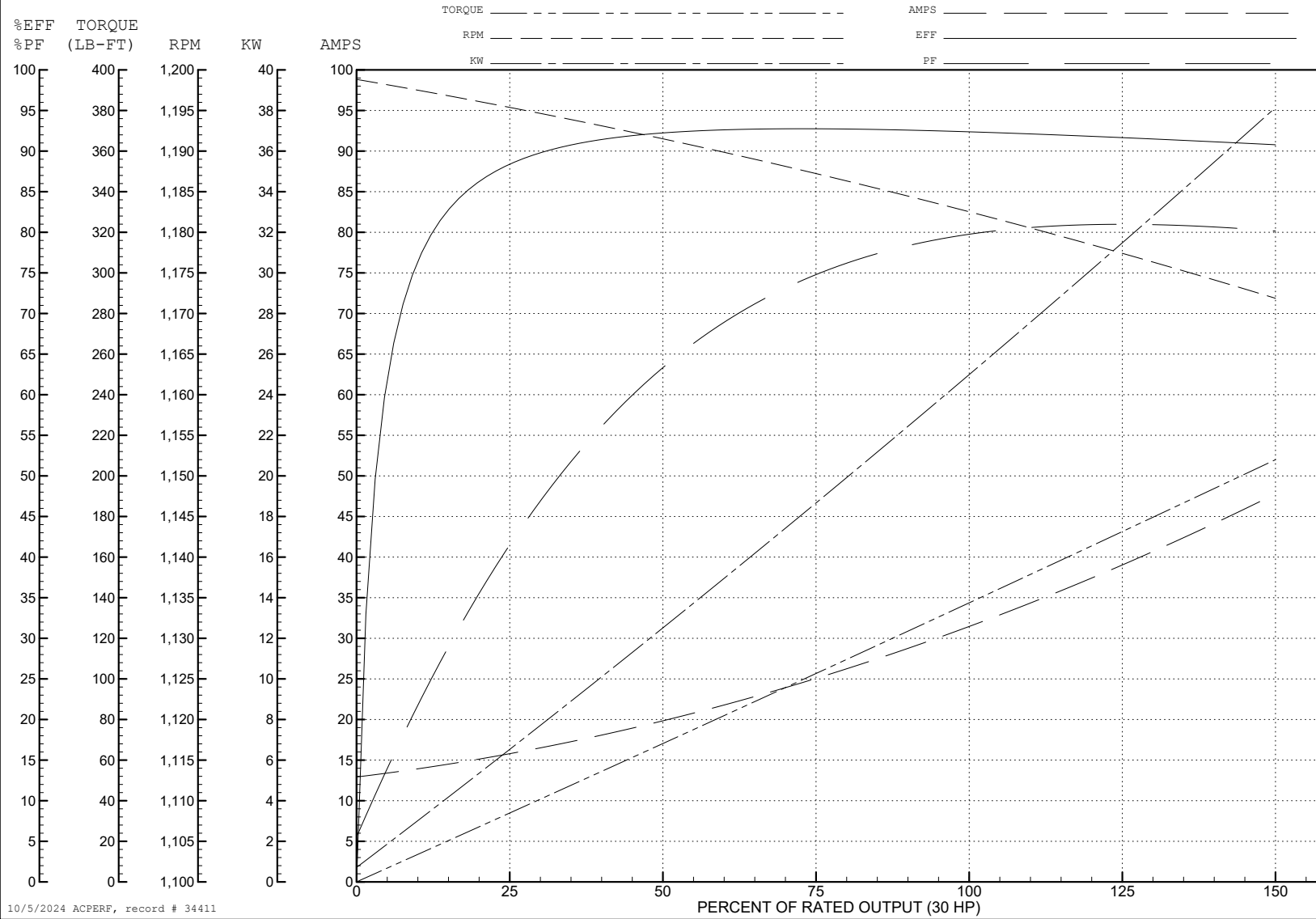
ABB Motors and Mechanical Inc.

WINDING # 12WGY454

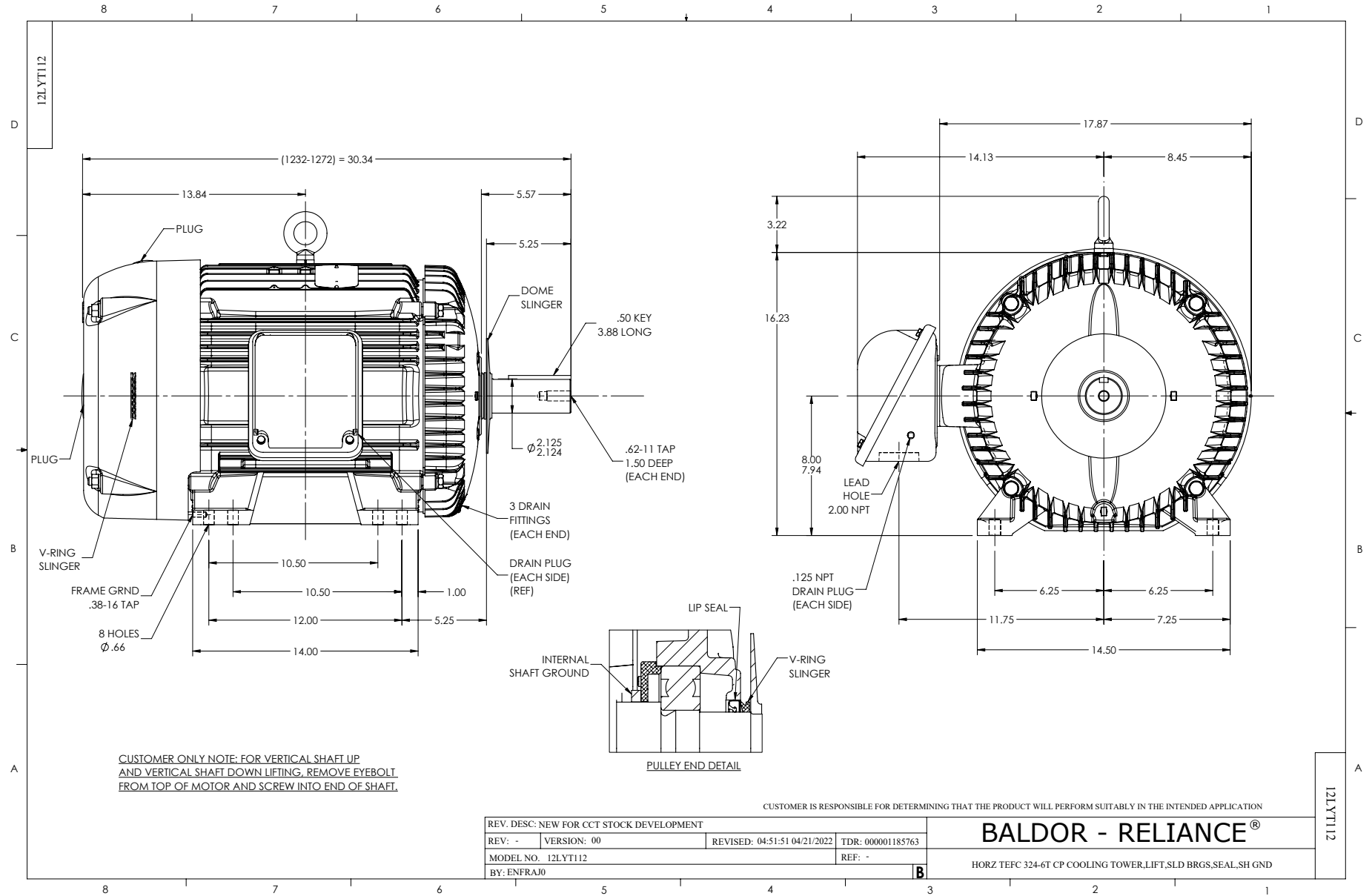
30 HP 3 PH 60 HZ 1180 RPM 575 V 1264M

Typical performance - not guaranteed values.

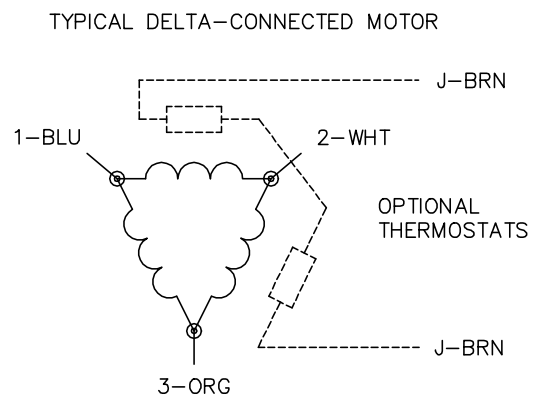
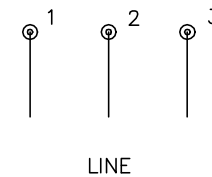
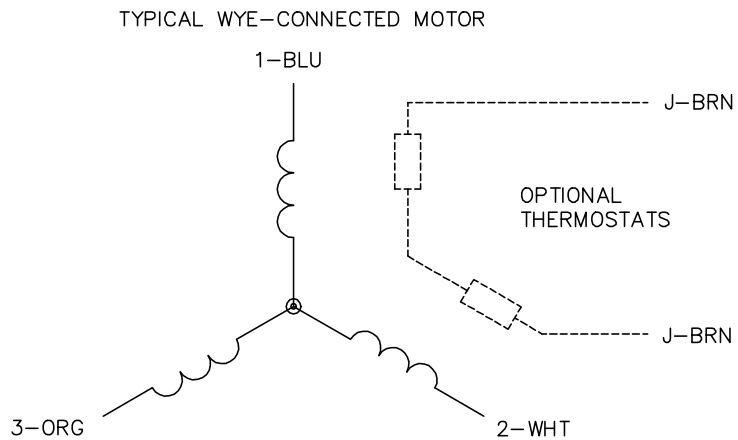
TORQUES (LB-FT): PO=333 PU=142 LR=186 LRA=187



10/5/2024 ACPERF, record # 34411



CD0006



NOTES:

1. THREE LEAD MOTOR MAY BE EITHER WYE CONNECTED OR DELTA CONNECTED.
2. INTERCHANGE ANY TWO LINE LEADS TO REVERSE ROTATION.
3. OPTIONAL THERMOSTATS ARE PROVIDED WHEN SPECIFIED.
4. ACTUAL NUMBER OF INTERNAL PARALLEL CIRCUITS MAY VARY.
5. LEAD COLORS ARE OPTIONAL. LEADS MUST BE NUMBERED AS SHOWN.

CD0006

REV. DESC: ADD CLASS CONN00000007		
REV. LTR: E	VERSION: 01	TDR: 000001099922
FILE: \AAA\00005\141	REVISED: 10:24:49 02/19/2019	BY: ENBRIRO
MTL: -		© □

BALDOR - RELIANCE®

3PH, SV, 3 LEADS, WYE OR DELTA CONNECTED

SH 1 of 1