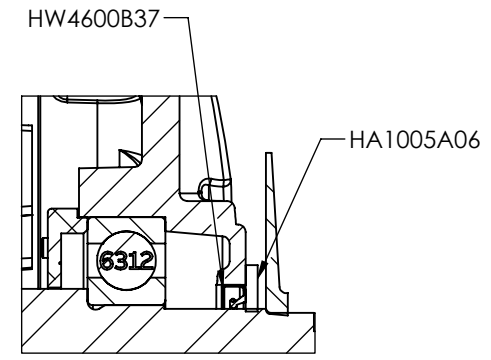
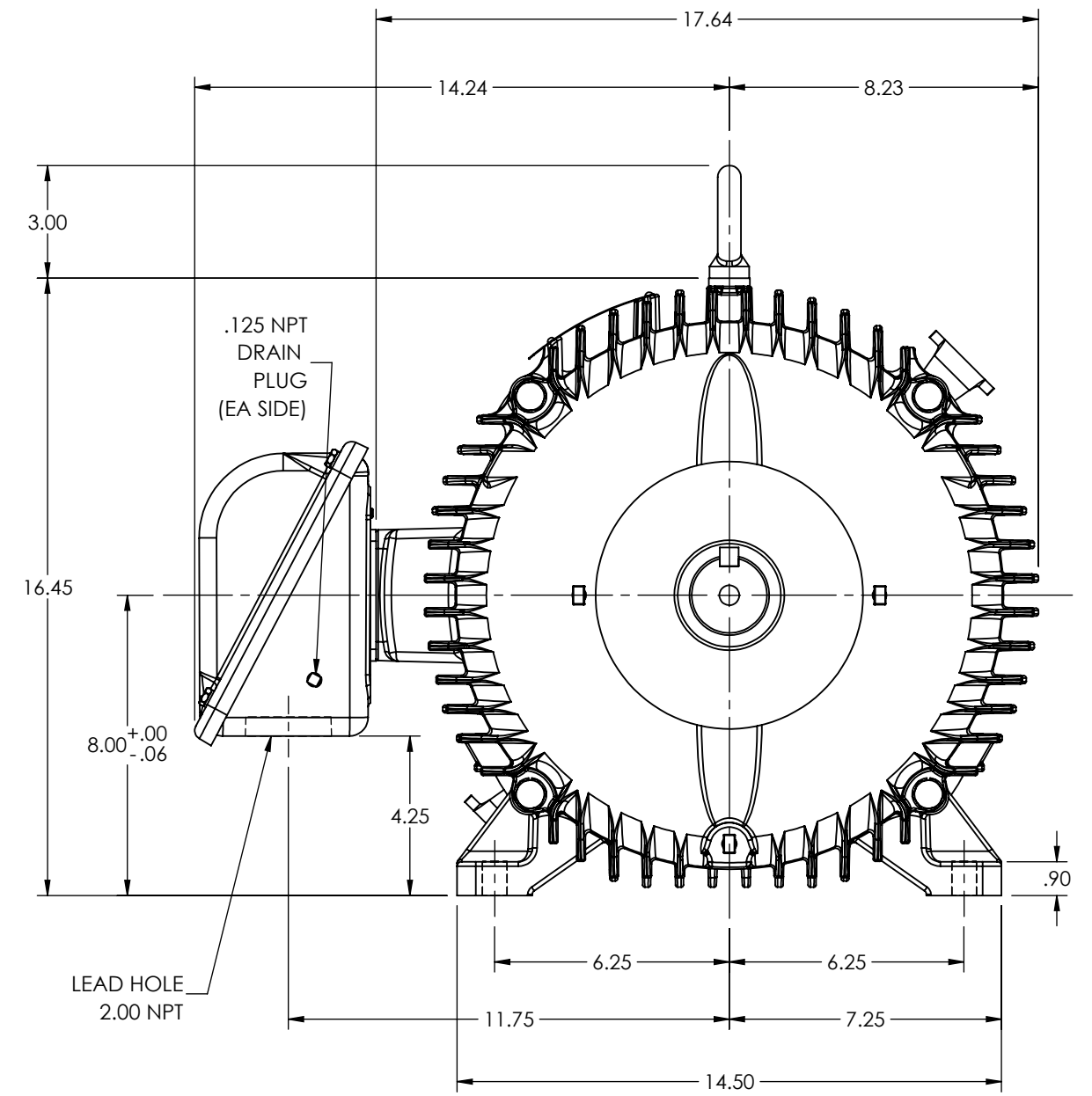
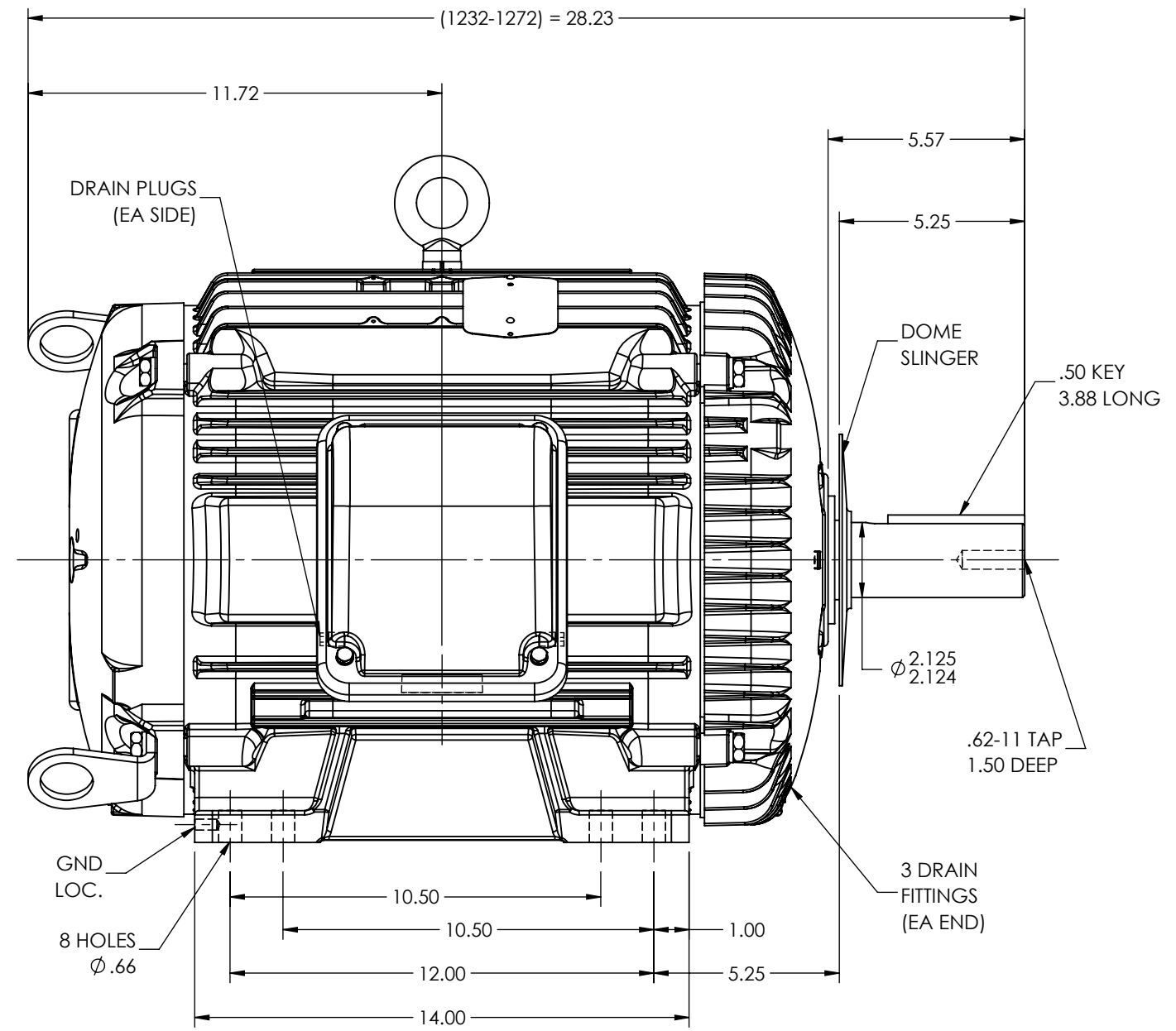


8 7 6 5 4 3 2 1

12LYH727



CUSTOMER ONLY NOTE:
 FOR VERTICAL SHAFT UP LIFTING, REMOVE EYEBOLT FROM TOP OF MOTOR AND SCREW INTO END OF SHAFT.

DRIVE END DETAIL

CUSTOMER IS RESPONSIBLE FOR DETERMINING THAT THE PRODUCT WILL PERFORM SUITABLY IN THE INTENDED APPLICATION

REV. DESC: CONVERT AUTOCAD TO SWD DRAWING			
REV: C	VERSION: 03	REVISED: 12:57:30 04/02/2024	TDR: 000001227248
MODEL NO. 12LYH727		REF: -	
BY: USALMAZ		B	

BALDOR - RELIANCE®

HOR TEAO 324-6T CP COOLING TOWER,SLD BRGS,SEAL,DOME,VER LIFT

A

12LYH727

8 7 6 5 4 3 2 1