

BALDOR • RELIANCE

Customer information packet

ECTM4104T-G-AO

30 AIR OVERHP, 1760RPM, 3PH, 60HZ, 286T, 1056

Class - None

Division - Not Applicable

Copyright © All product information within this document is subject to ABB Motors and Mechanical Inc. copyright © protection, unless otherwise noted.

7/23/2024 11:11:16 PM

Specifications

Enclosure	TEAO
Frame	286T
Frame Material	Iron
Frequency	60.00 Hz
Haz Area Class and Group	None
Haz Area Division	Not Applicable
Motor Letter Type	Three Phase
Output @ Frequency	30.000 HP @ 60 HZ
Phase	3
Synchronous Speed @ Frequency	1800 RPM @ 60 HZ
Voltage @ Frequency	230.0 V @ 60 HZ 460.0 V @ 60 HZ
Agency Approvals	CSA EEV NEMA PREMIUM NEMA_PREMIUM UR
Ambient Temperature	40 °C
Auxillary Box	No Auxillary Box
Auxillary Box Lead Termination	None
Base Indicator	Rigid
Bearing Grease Type	Polyrex EM (-20F +300F)
Blower	None
Current @ Voltage	76.000 A @ 230.0 V 70.500 A @ 208.0 V 38.000 A @ 460.0 V
Design Code	A
Drip Cover	No Drip Cover
Duty Rating	CONT
Efficiency @ 100% Load	93.6 %
Electrically Isolated Bearing	Not Electrically Isolated
Feedback Device	NO FEEDBACK
Front Shaft Indicator	None

Part detail

Revision	E
Type	AC
Mech. spec.	10T008
Base	
Status	PRD/A
Elec. spec.	10WGY538
Layout	10LYT008
Eff. date	09-08-2023
CD Diagram	CD0180
Poles	04
Leads	9#8
Proprietary	False
Created date	03-25-2022

Heater Indicator	Heater Included, 120 V
High Voltage Full Load Amps	38.0 a
Insulation Class	F
Inverter Code	Inverter Ready
KVA Code	J
Lifting Lugs	Vertical Lifting Lugs
Locked Bearing Indicator	Locked Bearing
Motor Lead Quantity/Wire Size	9 @ 8 AWG
Motor Lead Termination	Flying Leads
Motor Standards	NEMA
Motor Type	1056M
Mounting Arrangement	F1
Number of Poles	4
Overall Length	25.71 IN
Power Factor	80
Product Family	Chemical Processing (Not DC)
Pulley End Bearing Type	Sealed Bearing
Pulley Face Code	Standard
Pulley Shaft Indicator	Tapped & Key
Rodent Screen	None
Service Factor	1.15
Shaft Diameter	1.875 IN
Shaft Ground Indicator	Shaft Grounding
Shaft Rotation	Reversible
Shaft Slinger Indicator	Shaft Slinger
Speed	1760 rpm
Speed Code	Single Speed
Starting Method	Direct on line
Thermal Device - Bearing	None
Thermal Device - Winding	None
Vibration Sensor Indicator	No Vibration Sensor
Winding Thermal 1	None
Winding Thermal 2	None

Nameplate

NP2178									
CAT.NO.	ECTM4104T-G-AO								
SPEC.	10T008Y538G1								
HP	30 AIR OVER								
VOLTS	230/460								
AMP	76/38								
RPM	1760								
FRAME	286T		HZ	60		PH	3		
SER.F.	1.15	CODE	J	DES	A	CL	F		
NEMA-NOM-EFF	93.6	PF	80						
RATING	40C AMB-CONT								
CC									
DE	6311	ODE	6309						
ENCL	TEAO	SN							
	INV DUT 20:1 VT								

AC Induction Motor Performance Data

Record # 35485

Typical performance - not guaranteed values

Winding: 10WGY538-R005		Type: 1056M	Enclosure: TEAO	
Nameplate Data			460 V, 60 Hz: High Voltage Connection	
Rated Output (HP)	30 AIR OVER	Full Load Torque	88.7 LB-FT	
Volts	230/460	Start Configuration	direct on line	
Full Load Amps	76/38	Breakdown Torque	330 LB-FT	
R.P.M.	1760	Pull-up Torque	142 LB-FT	
Hz	60 Phase	Locked-rotor Torque	178 LB-FT	
NEMA Design Code	A KVA Code	Starting Current	270 A	
Service Factor (S.F.)	1.15	No-load Current	17.9 A	
NEMA Nom. Eff.	93.6 Power Factor	Line-line Res. @ 25°C	0.19377 Ω	
Rating - Duty	40C AMB-CONT	Temp. Rise @ Rated Load	64°C	
S.F. Amps		Temp. Rise @ S.F. Load	76°C	
		Locked-rotor Power Factor	31	
		Rotor inertia	4.47 LB-FT ²	

Load Characteristics 460 V, 60 Hz, 30 HP

% of Rated Load	25	50	75	100	125	150	S.F.
Power Factor	41	63	73	80	82	85	81
Efficiency	87.6	92.3	93.5	93.7	93.4	92.9	93.5
Speed	1792.2	1787.6	1782.4	1776.5	1770.3	1762.1	1773
Line amperes	19.8	24.3	30.7	37.6	45.6	55.2	42.4

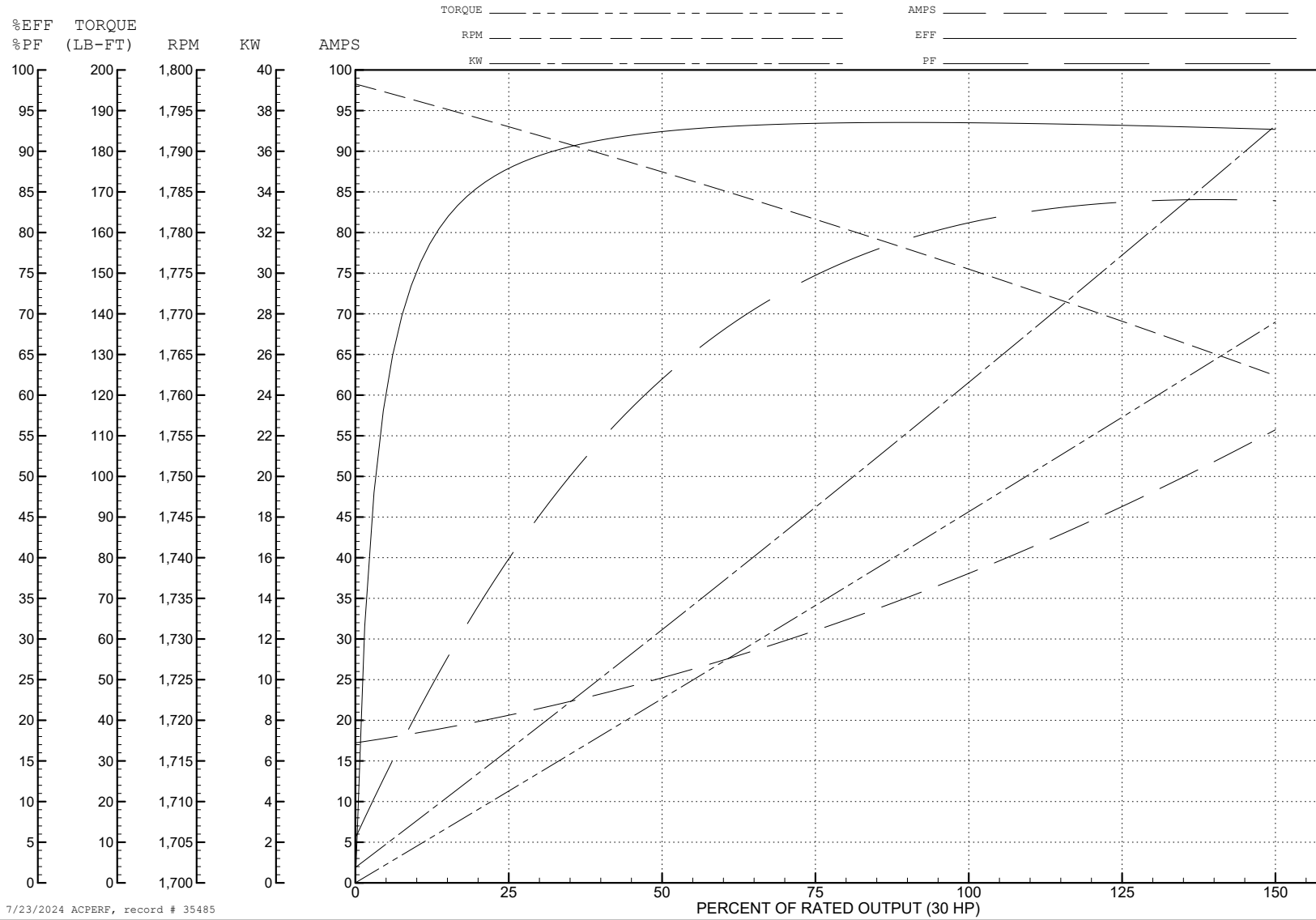
ABB Motors and Mechanical Inc.

WINDING # 10WGY538

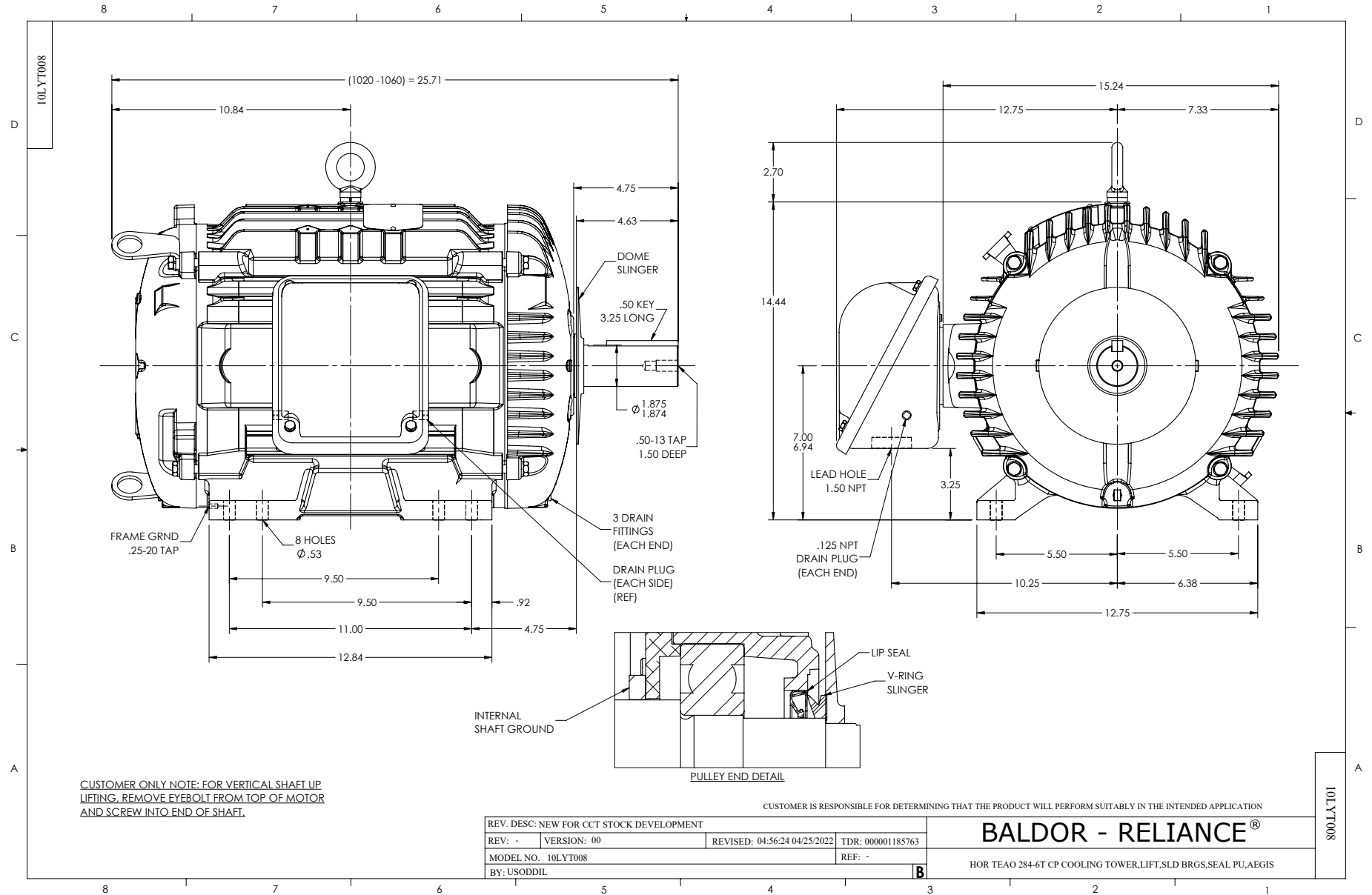
Typical performance - not guaranteed values.

30 HP 3 PH 60 HZ 1760 RPM 460 V 1056M

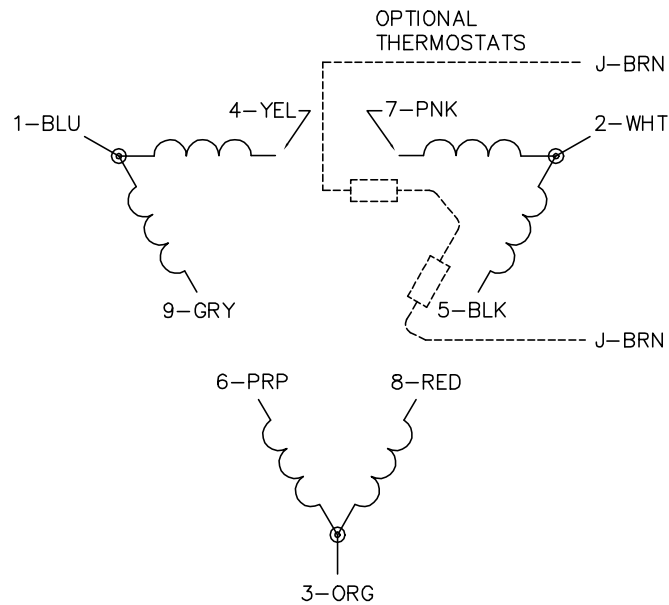
TORQUES (LB-FT): PO=330 PU=142 LR=178 LRA=270



7/23/2024 ACPERF, record # 35485



CD0180



LOW VOLTAGE
(2D)



HIGH VOLTAGE
(1D)



NOTES:

1. INTERCHANGE ANY TWO LINE LEADS TO REVERSE ROTATION.
2. OPTIONAL THERMOSTATS ARE PROVIDED WHEN SPECIFIED.
3. ACTUAL NUMBER OF INTERNAL PARALLEL CIRCUITS MAY BE A MULTIPLE OF THOSE SHOWN ABOVE.
4. LEAD COLORS ARE OPTIONAL. LEADS MUST ALWAYS BE NUMBERED AS SHOWN.

CD0180

REV. DESC: ADD CLASS CONN00000007		
REV. LTR: D	VERSION: 01	TDR: 000001099922
FILE: \AAA\00005\148	REVISED: 10:25:29 02/19/2019	BY: ENBRIRO
MTL: -	© □	

BALDOR - RELIANCE®

3PH, DV, 9 LEADS, DELTA CONNECTION

SH 1 of 1