



Customer information packet

ECTM4103T

25 AIR OVERHP, 1775RPM, 3PH, 60HZ, 284T, 1054

Class - None

Division - Not Applicable

Specifications

Enclosure	TEAO
Frame	284T
Frame Material	Iron
Frequency	60.00 Hz
Haz Area Class and Group	None
Haz Area Division	Not Applicable
Motor Letter Type	Three Phase
Output @ Frequency	25.000 HP @ 60 HZ
Phase	3
Synchronous Speed @ Frequency	1800 RPM @ 60 HZ
Voltage @ Frequency	460.0 V @ 60 HZ 230.0 V @ 60 HZ
Agency Approvals	CSA CSA EEV UR
Ambient Temperature	40 °C
Auxillary Box	No Auxillary Box
Auxillary Box Lead Termination	None
Base Indicator	Rigid
Bearing Grease Type	Polyrex EM (-20F +300F)
Blower	None
Current @ Voltage	62.000 A @ 230.0 V 64.000 A @ 208.0 V 31.000 A @ 460.0 V
Design Code	A
Drip Cover	No Drip Cover
Duty Rating	CONT
Efficiency @ 100% Load	93.6 %
Electrically Isolated Bearing	Not Electrically Isolated
Feedback Device	NO FEEDBACK
Front Face Code	Standard
Front Shaft Indicator	None

Part detail

Revision	M
Type	AC
Mech. spec.	10K189
Base	
Status	PRD/A
Elec. spec.	10WGZ651
Layout	10LYK189
Eff. date	09-08-2023
CD Diagram	CD0180
Poles	04
Leads	9#10
Proprietary	False
Created date	10-19-2017

Heater Indicator	No Heater
High Voltage Full Load Amps	31.0 a
Insulation Class	F
Inverter Code	Inverter Ready
KVA Code	J
Lifting Lugs	Vertical Lifting Lugs
Locked Bearing Indicator	Locked Bearing
Motor Lead Exit	Ko Box
Motor Lead Quantity/Wire Size	9 @ 10 AWG
Motor Lead Termination	Flying Leads
Motor Standards	NEMA
Motor Type	1054M
Mounting Arrangement	F1
Number of Poles	4
Overall Length	25.63 IN
Power Factor	81
Product Family	Super-E Chemical Processing
Pulley End Bearing Type	Sealed Bearing
Pulley Face Code	Standard
Pulley Shaft Indicator	Standard
Rodent Screen	None
Service Factor	1.15
Shaft Diameter	1.875 IN
Shaft Extension Location	Pulley End
Shaft Ground Indicator	No Shaft Grounding
Shaft Rotation	Reversible
Shaft Slinger Indicator	Shaft Slinger
Speed	1775 rpm
Speed Code	Single Speed
Starting Method	Direct on line
Thermal Device - Bearing	NONE (OLD)
Thermal Device - Winding	None
Vibration Sensor Indicator	No Vibration Sensor
Winding Thermal 1	None

Winding Thermal 2

None

Nameplate

NP2178									
CAT.NO.	ECTM4103T								
SPEC.	10K189Z651G1								
HP	25 AIR OVER								
VOLTS	230/460								
AMP	62/31								
RPM	1775								
FRAME	284T		HZ	60		PH	3		
SER.F.	1.15	CODE	J	DES	A	CL	F		
NEMA-NOM-EFF	93.6	PF	81						
RATING	40C AMB-CONT								
CC									
DE	6311	ODE	6309						
ENCL	TEAO	SN							
	1900 FPM @ 360CFM								

AC Induction Motor Performance Data

Record # 67461

Typical performance - not guaranteed values

Winding: 10WGZ651-R003		Type: 1054M		Enclosure: TEAO		
Nameplate Data			460 V, 60 Hz: High Voltage Connection			
Rated Output (HP)	25 AIR OVER		Full Load Torque	74.02 LB-FT		
Volts	230/460		Start Configuration	direct on line		
Full Load Amps	62/31		Breakdown Torque	262 LB-FT		
R.P.M.	1775		Pull-up Torque	118 LB-FT		
Hz	60	Phase	3	Locked-rotor Torque	142 LB-FT	
NEMA Design Code	A		KVA Code	J	Starting Current	223 A
Service Factor (S.F.)	1.15		No-load Current	13.6 A		
NEMA Nom. Eff.	93.6	Power Factor	81	Line-line Res. @ 25°C	0.2345 Ω	
Rating - Duty	40C AMB-CONT		Temp. Rise @ Rated Load	51°C		
S.F. Amps			Temp. Rise @ S.F. Load	61°C		
			Locked-rotor Power Factor	30.6		

Load Characteristics 460 V, 60 Hz, 25 HP

% of Rated Load	25	50	75	100	125	150	S.F.
Power Factor	43	65	76	81	84	85	83
Efficiency	88.3	92.8	93.9	94	93.7	93.1	93.8
Speed	1794.1	1789.3	1783.5	1777.8	1770.8	1763.8	1774
Line amperes	15.3	19.3	24.6	30.6	37.2	44.5	34.6

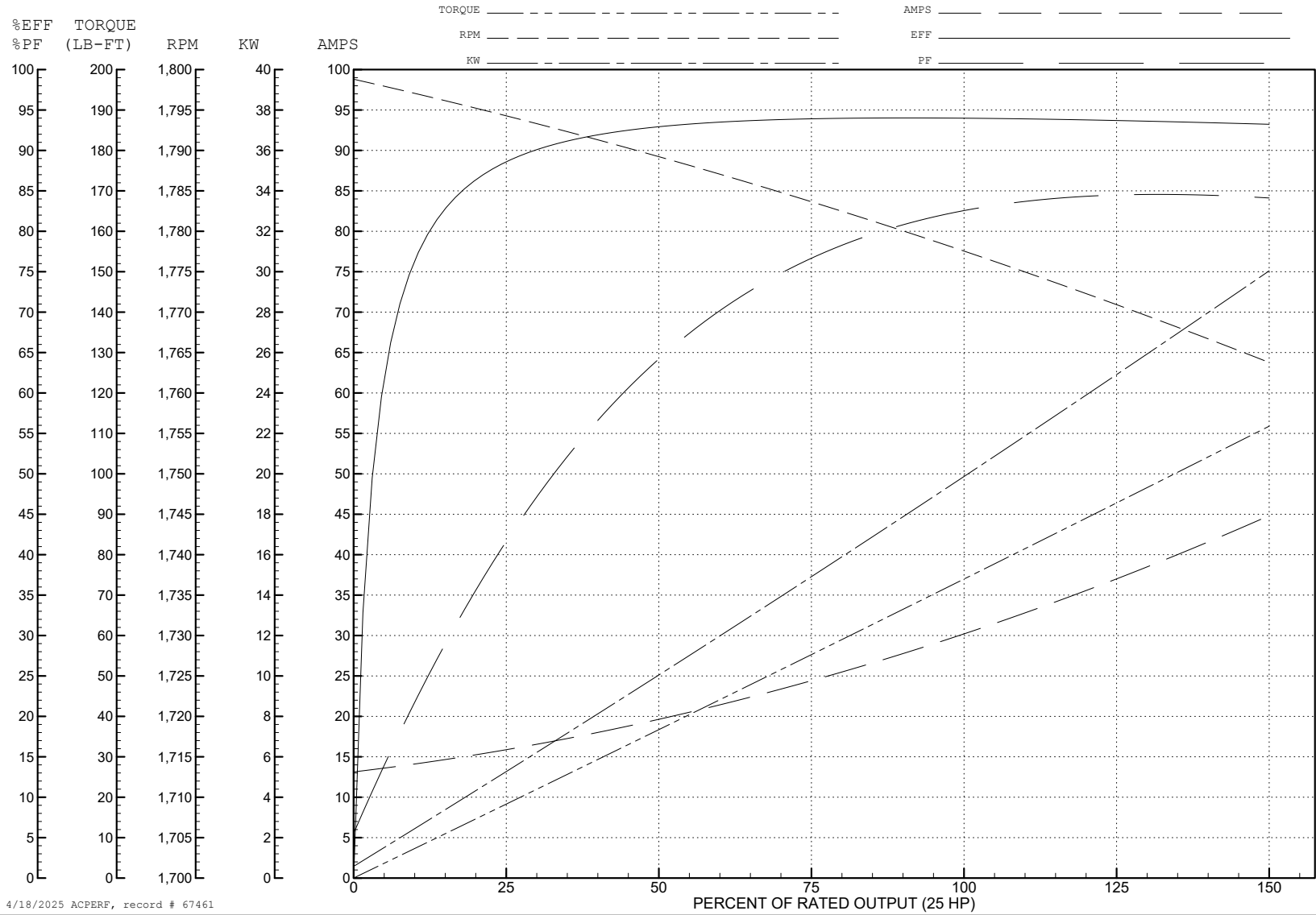
ABB Motors and Mechanical Inc.

WINDING # 10WGZ651

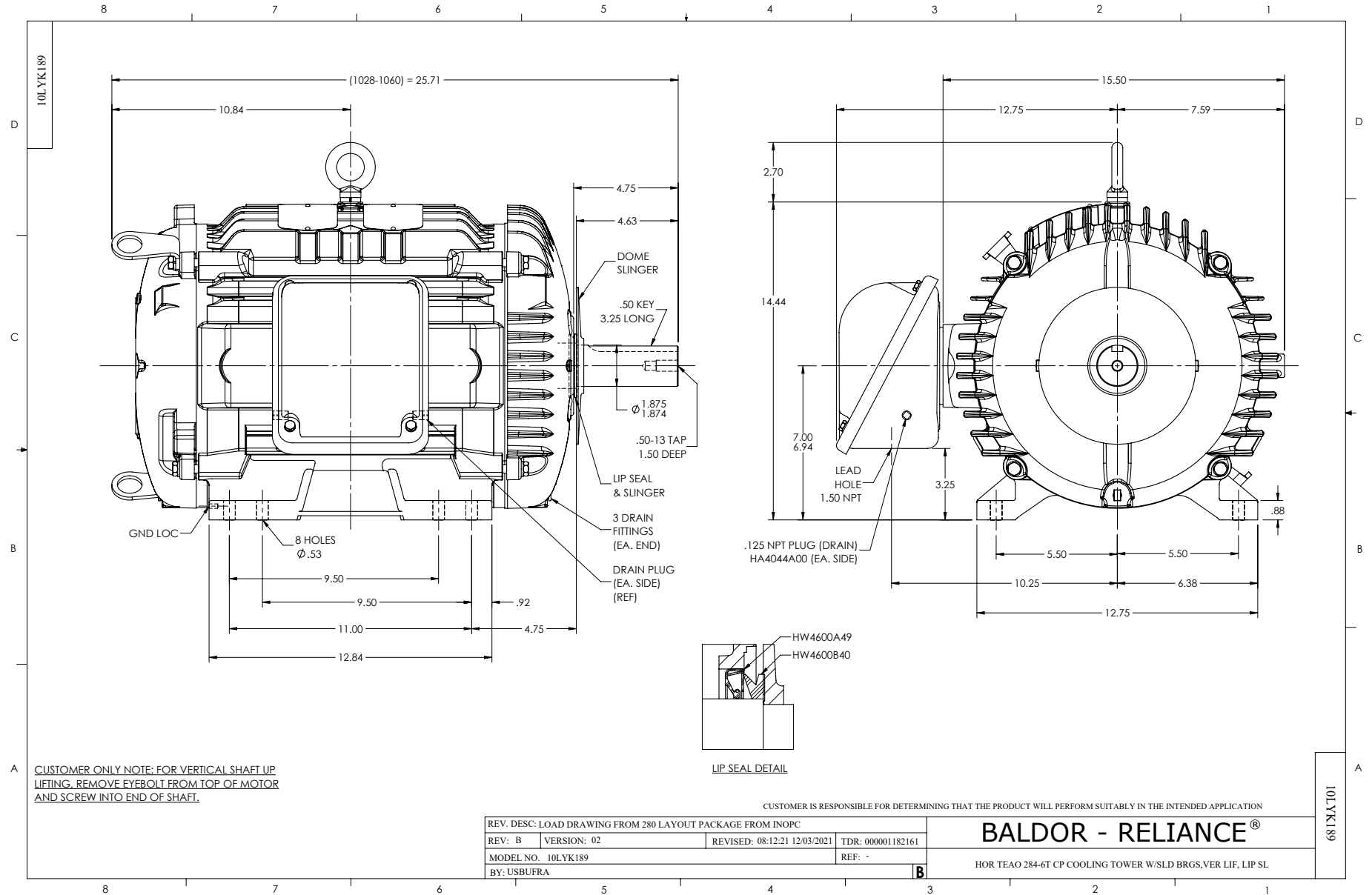
Typical performance - not guaranteed values.

25 HP 3 PH 60 HZ 1775 RPM 460 V 1054M

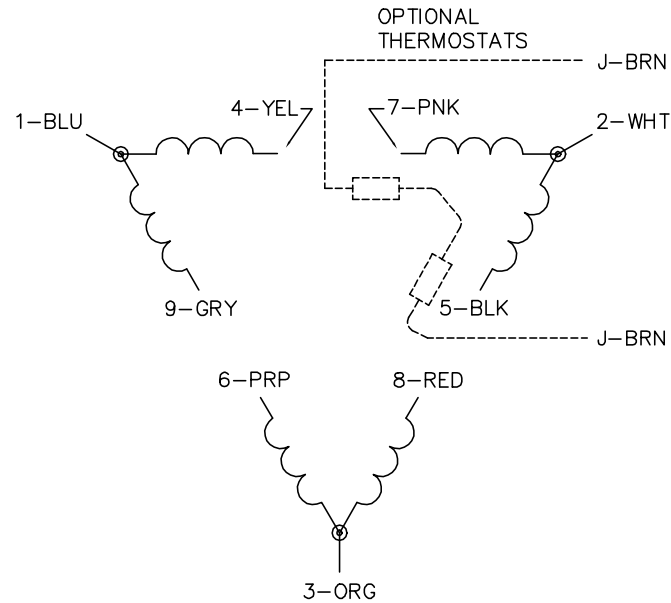
TORQUES (LB-FT): PO=262 PU=118 LR=142 LRA=223



4/18/2025 ACPERF, record # 67461



CD0180



LOW VOLTAGE
(2D)



HIGH VOLTAGE
(1D)



NOTES:

1. INTERCHANGE ANY TWO LINE LEADS TO REVERSE ROTATION.
2. OPTIONAL THERMOSTATS ARE PROVIDED WHEN SPECIFIED.
3. ACTUAL NUMBER OF INTERNAL PARALLEL CIRCUITS MAY BE A MULTIPLE OF THOSE SHOWN ABOVE.
4. LEAD COLORS ARE OPTIONAL. LEADS MUST ALWAYS BE NUMBERED AS SHOWN.

CD0180

REV. DESC: ADD CLASS CONN00000007		
REV. LTR: D	VERSION: 01	TDR: 000001099922
FILE: \AAA\00005\148	REVISED: 10:25:29 02/19/2019	BY: ENBRIRO
MTL: -	© □	

BALDOR - RELIANCE®

3PH, DV, 9 LEADS, DELTA CONNECTION

SH 1 of 1