

BALDOR • RELIANCE

Customer information packet

ECTM4103T-5G

25HP, 1770RPM, 3PH, 60HZ, 284T, 1056M, TEFC, F1

Class - None

Division - Not Applicable

Specifications

Enclosure	TEFC
Frame	284T
Frame Material	Iron
Frequency	60.00 Hz
Haz Area Class and Group	None
Haz Area Division	Not Applicable
Motor Letter Type	Three Phase
Output @ Frequency	25.000 HP @ 60 HZ
Phase	3
Synchronous Speed @ Frequency	1800 RPM @ 60 HZ
Voltage @ Frequency	575.0 V @ 60 HZ
Agency Approvals	CSA EEV NEMA PREMIUM NEMA_PREMIUM UR
Ambient Temperature	40 °C
Auxillary Box	No Auxillary Box
Auxillary Box Lead Termination	None
Base Indicator	Rigid
Bearing Grease Type	Polyrex EM (-20F +300F)
Blower	None
Current @ Voltage	24.000 A @ 575.0 V
Design Code	B
Drip Cover	No Drip Cover
Duty Rating	CONT
Efficiency @ 100% Load	93.6 %
Electrically Isolated Bearing	Not Electrically Isolated
Feedback Device	NO FEEDBACK
Front Shaft Indicator	Tapped & Key
Heater Indicator	Heater Included, 115 V
High Voltage Full Load Amps	24.0 a
Insulation Class	F

Part detail

Revision	E
Type	AC
Mech. spec.	10T010
Base	
Status	PRD/A
Elec. spec.	10WGZ620
Layout	10LYT010
Eff. date	07-19-2023
CD Diagram	CD0006
Poles	04
Leads	3#10
Proprietary	False
Created date	04-14-2022

Inverter Code	Inverter Ready
KVA Code	F
Lifting Lugs	Vertical Lifting Lugs
Locked Bearing Indicator	Locked Bearing
Motor Lead Quantity/Wire Size	3 @ 10 AWG
Motor Lead Termination	Flying Leads
Motor Standards	NEMA
Motor Type	1056M
Mounting Arrangement	F1
Number of Poles	4
Overall Length	27.57 IN
Power Factor	85
Product Family	Chemical Processing (Not DC)
Pulley End Bearing Type	Sealed Bearing
Pulley Face Code	Standard
Pulley Shaft Indicator	Tapped & Key
Rodent Screen	None
RoHS Status	ROHS COMPLIANT
Service Factor	1.15
Shaft Diameter	1.875 IN
Shaft Ground Indicator	Shaft Grounding
Shaft Rotation	Reversible
Shaft Slinger Indicator	Shaft Slinger
Speed	1770 rpm
Speed Code	Single Speed
Starting Method	Direct on line
Thermal Device - Bearing	None
Thermal Device - Winding	None
Vibration Sensor Indicator	No Vibration Sensor
Winding Thermal 1	None
Winding Thermal 2	None

Nameplate

NP1260									
CAT.NO.	ECTM4103T-5G								
SPEC.	10T010Z620G1								
HP	25								
VOLTS	575								
AMP	24								
RPM	1770								
FRAME	284T	HZ	60	PH	3				
SER.F.	1.15	CODE	F	DES	B	CL	F		
NEMA-NOM-EFF	93.6	PF	85						
RATING	40C AMB-CONT								
CC									
DE	6311	ODE	6309						
ENCL	TEFC	SN							
	INV DUTY 20:1VT								

AC Induction Motor Performance Data

Record # 62101

Typical performance - not guaranteed values

Winding: 10WGZ620-R002		Type: 1056M	Enclosure: TEFC	
Nameplate Data			575 V, 60 Hz: Single Voltage Motor	
Rated Output (HP)	25	Full Load Torque	74.36 LB-FT	
Volts	575	Start Configuration	direct on line	
Full Load Amps	24	Breakdown Torque	196 LB-FT	
R.P.M.	1770	Pull-up Torque	90.75 LB-FT	
Hz	60 Phase	3	Locked-rotor Torque	114 LB-FT
NEMA Design Code	B KVA Code	F	Starting Current	137 A
Service Factor (S.F.)	1.15	No-load Current	8.24 A	
NEMA Nom. Eff.	93.6 Power Factor	85	Line-line Res. @ 25°C	0.463 Ω
Rating - Duty	40C AMB-CONT	Temp. Rise @ Rated Load	54°C	
S.F. Amps		Temp. Rise @ S.F. Load	67°C	
		Locked-rotor Power Factor	30.4	
		Rotor inertia	4.46 LB-FT ²	

Load Characteristics 575 V, 60 Hz, 25 HP

% of Rated Load	25	50	75	100	125	150	S.F.
Power Factor	51	73	82	85	86	86	86
Efficiency	91	93.8	94.1	93.7	92.8	92.1	93.1
Speed	1793	1785	1779	1771	1762	1751	1766
Line amperes	9.93	13.55	18.28	23.59	29.19	35.78	27

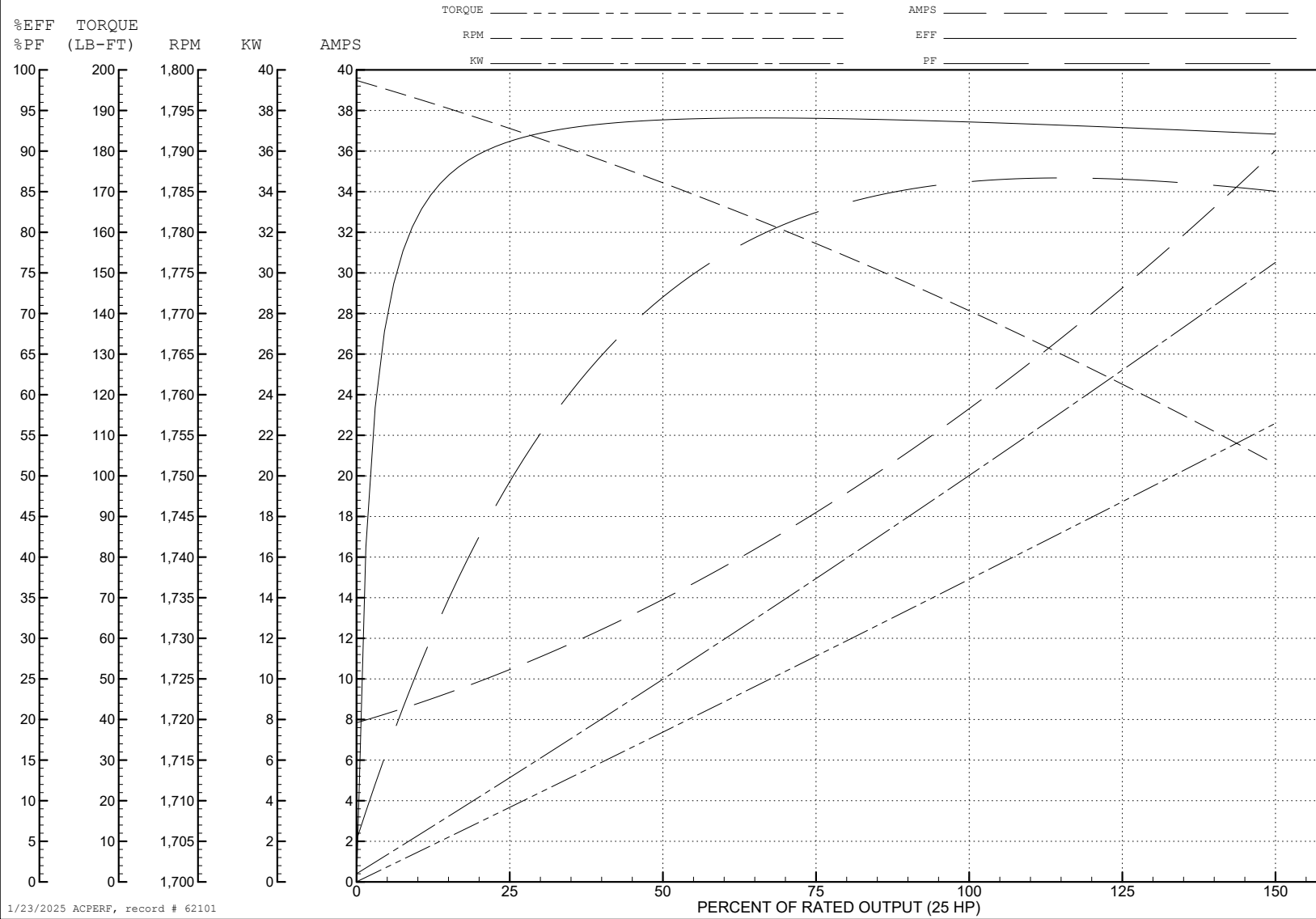
ABB Motors and Mechanical Inc.

WINDING # 10WGZ620

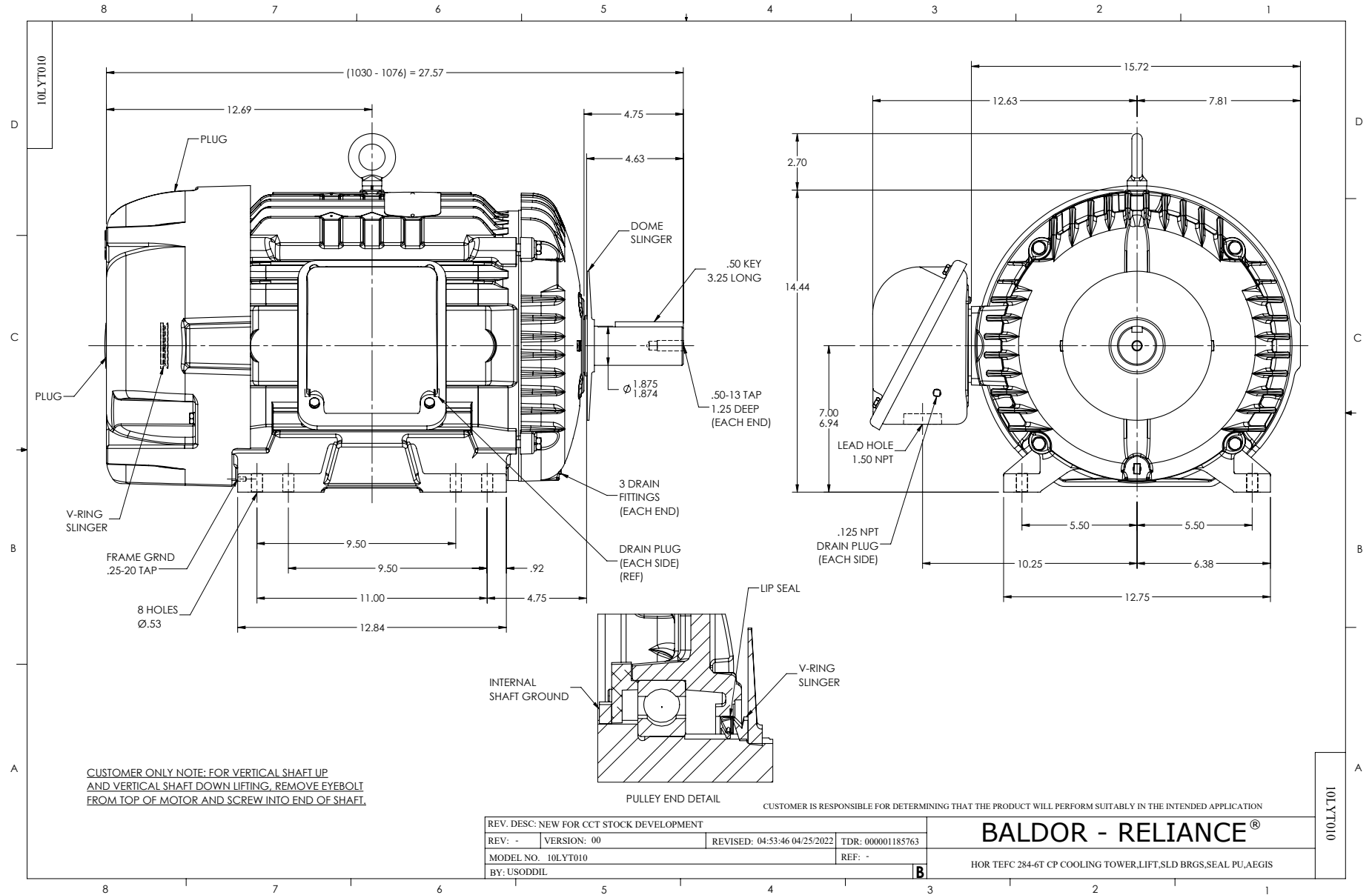
Typical performance - not guaranteed values.

25 HP 3 PH 60 HZ 1770 RPM 575 V 1056M

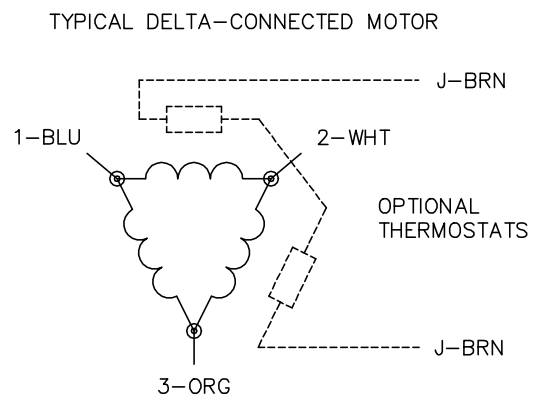
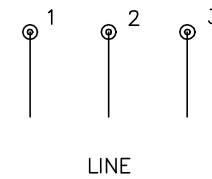
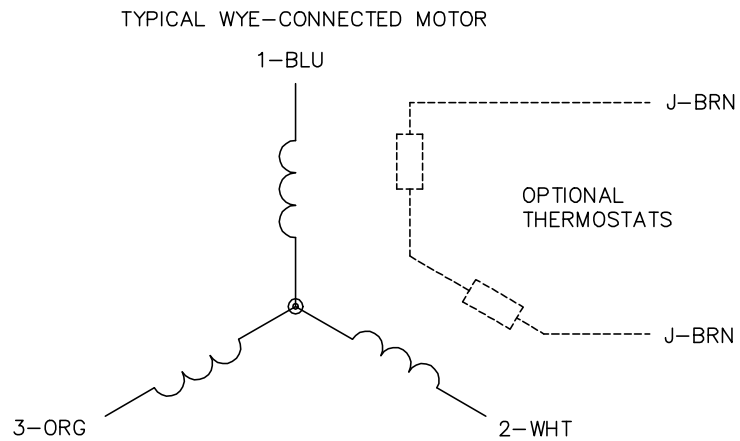
TORQUES (LB-FT): PO=196 PU=90.75 LR=114 LRA=137



1/23/2025 ACPERF, record # 62101



CD0006



NOTES:

1. THREE LEAD MOTOR MAY BE EITHER WYE CONNECTED OR DELTA CONNECTED.
2. INTERCHANGE ANY TWO LINE LEADS TO REVERSE ROTATION.
3. OPTIONAL THERMOSTATS ARE PROVIDED WHEN SPECIFIED.
4. ACTUAL NUMBER OF INTERNAL PARALLEL CIRCUITS MAY VARY.
5. LEAD COLORS ARE OPTIONAL. LEADS MUST BE NUMBERED AS SHOWN.

CD0006

REV. DESC: ADD CLASS CONN00000007		
REV. LTR: E	VERSION: 01	TDR: 000001099922
FILE: \AAA\00005\141	REVISED: 10:24:49 02/19/2019	BY: ENBRIRO
MTL: -	© □	

BALDOR - RELIANCE®

3PH, SV, 3 LEADS, WYE OR DELTA CONNECTED

SH 1 of 1