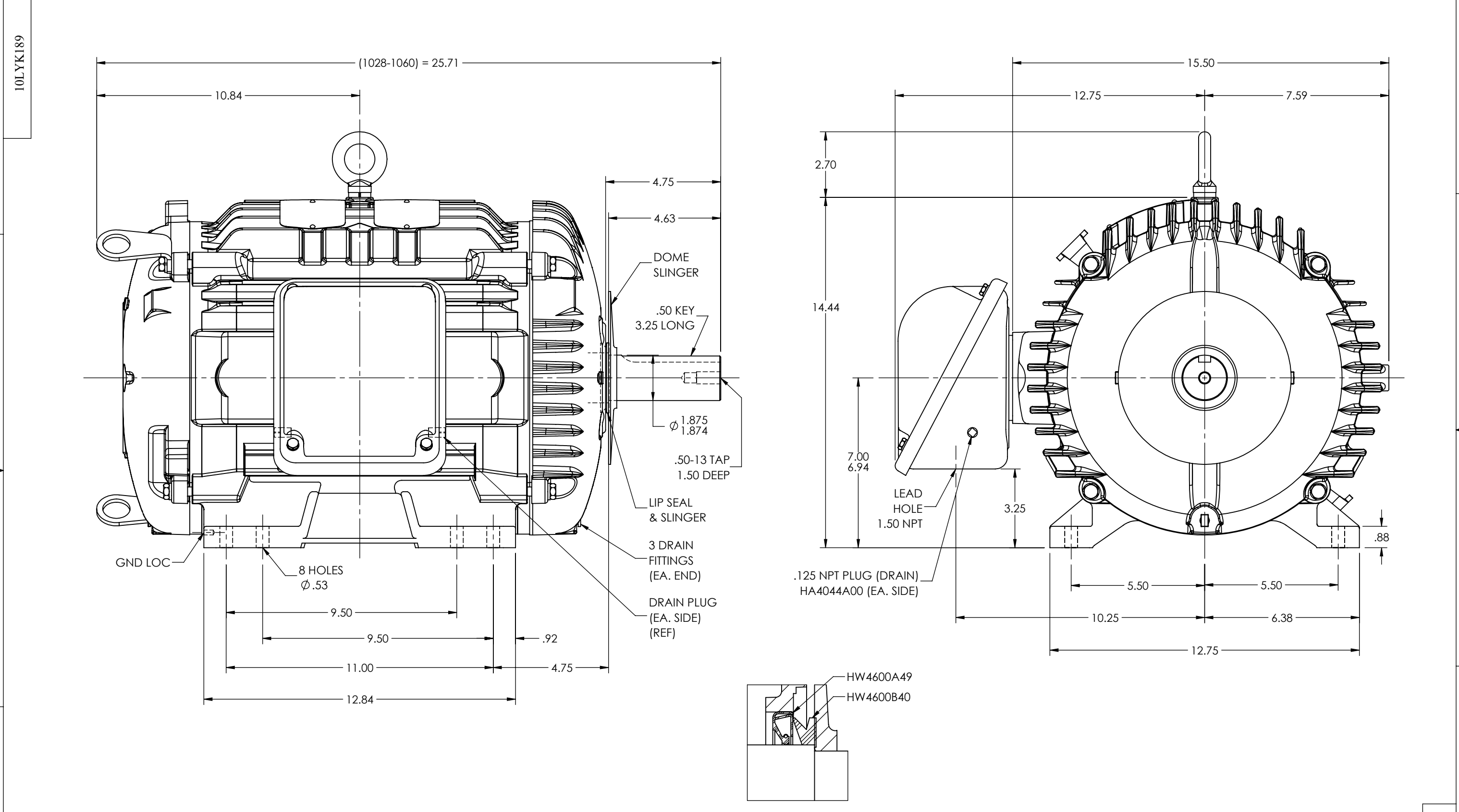


8 7 6 5 4 3 2 1



A CUSTOMER ONLY NOTE: FOR VERTICAL SHAFT UP LIFTING, REMOVE EYEBOLT FROM TOP OF MOTOR AND SCREW INTO END OF SHAFT.

CUSTOMER IS RESPONSIBLE FOR DETERMINING THAT THE PRODUCT WILL PERFORM SUITABLY IN THE INTENDED APPLICATION

REV. DESC: LOAD DRAWING FROM 280 LAYOUT PACKAGE FROM INOPC			
REV: B	VERSION: 02	REVISED: 08:12:21 12/03/2021	TDR: 000001182161
MODEL NO. 10LYK189			REF: -
BY: USBUFRA			<b>B</b>

**BALDOR - RELIANCE®**

HOR TEAO 284-6T CP COOLING TOWER W/SLD BRGS,VER LIF, LIP SL

8 7 6 5 4 3 2 1

10LYK189