

**BALDOR • RELIANCE**

---

# Customer information packet

## ECTM3584T-G

1.5HP, 1770RPM, 3PH, 60HZ, 145T, 0524M, TEFC, F

Class - None

Division - Not Applicable

Copyright © All product information within this document is subject to ABB Motors and Mechanical Inc. copyright © protection, unless otherwise noted.

4/23/2025 12:22:11 PM

## Specifications

Enclosure	TEFC
Frame	145T
Frame Material	Iron
Frequency	60.00 Hz
Haz Area Class and Group	None
Haz Area Division	Not Applicable
Motor Letter Type	Three Phase
Output @ Frequency	1.500 HP @ 60 HZ
Phase	3
Synchronous Speed @ Frequency	1800 RPM @ 60 HZ
Voltage @ Frequency	230.0 V @ 60 HZ 460.0 V @ 60 HZ
Agency Approvals	CURUSEEV NEMA PREMIUM
Ambient Temperature	40 °C
Auxillary Box	No Auxillary Box
Auxillary Box Lead Termination	None
Base Indicator	Rigid
Bearing Grease Type	Polyrex EM (-20F +300F)
Blower	None
Current @ Voltage	2.300 A @ 460.0 V 4.600 A @ 230.0 V 4.640 A @ 208.0 V
Design Code	B
Drip Cover	No Drip Cover
Duty Rating	CONT
Efficiency @ 100% Load	86.5 %
Electrically Isolated Bearing	Not Electrically Isolated
Feedback Device	NO FEEDBACK
Front Shaft Indicator	Drilled And Tapped Hole
Heater Indicator	Heater Included, 115 V
High Voltage Full Load Amps	2.3 a

## Part detail

Revision	-
Type	AC
Mech. spec.	05G440
Base	
Status	PRD/A
Elec. spec.	05WGX510
Layout	05LYG440
Eff. date	06-22-2023
CD Diagram	CD0005
Poles	04
Leads	9#18 Y
Proprietary	False
Created date	02-23-2023

<b>Insulation Class</b>	F
<b>Inverter Code</b>	Inverter Ready
<b>KVA Code</b>	M
<b>Lifting Lugs</b>	Standard Lifting Lugs
<b>Locked Bearing Indicator</b>	Locked Bearing
<b>Motor Lead Quantity/Wire Size</b>	9 @ 18 AWG
<b>Motor Lead Termination</b>	Flying Leads
<b>Motor Standards</b>	NEMA
<b>Motor Type</b>	0524M
<b>Mounting Arrangement</b>	F1
<b>Number of Poles</b>	4
<b>Overall Length</b>	12.82 IN
<b>Power Factor</b>	72
<b>Product Family</b>	Chemical Processing (Not DC)
<b>Pulley End Bearing Type</b>	Sealed Bearing
<b>Pulley Face Code</b>	Standard
<b>Pulley Shaft Indicator</b>	Tapped & Key
<b>Rodent Screen</b>	None
<b>Service Factor</b>	1.15
<b>Shaft Diameter</b>	0.875 IN
<b>Shaft Ground Indicator</b>	Shaft Grounding
<b>Shaft Rotation</b>	Reversible
<b>Shaft Slinger Indicator</b>	Shaft Slinger
<b>Speed</b>	1770 rpm
<b>Speed Code</b>	Single Speed
<b>Starting Method</b>	Direct on line
<b>Thermal Device - Bearing</b>	None
<b>Thermal Device - Winding</b>	None
<b>Vibration Sensor Indicator</b>	No Vibration Sensor
<b>Winding Thermal 1</b>	None
<b>Winding Thermal 2</b>	None

**Nameplate**

---

<b>NP1260</b>									
<b>CAT.NO.</b>	ECTM3584T-G								
<b>SPEC.</b>	05G440X510G1								
<b>HP</b>	1.5								
<b>VOLTS</b>	230/460								
<b>AMP</b>	4.6/2.3								
<b>RPM</b>	1770								
<b>FRAME</b>	145T	<b>HZ</b>	60	<b>PH</b>	3				
<b>SER.F.</b>	1.15	<b>CODE</b>	M	<b>DES</b>	B	<b>CL</b>	F		
<b>NEMA-NOM-EFF</b>	86.5	<b>PF</b>	72						
<b>RATING</b>	40C AMB-CONT								
<b>CC</b>									
<b>DE</b>	6205	<b>ODE</b>	6203						
<b>ENCL</b>	TEFC	<b>SN</b>							
	INV DUTY 20:1 VT								

---

**AC Induction Motor Performance Data**

Record # 95408

Typical performance - not guaranteed values

Winding: 05WGX510-R001		Type: 0524M		Enclosure: TEFC			
<b>Nameplate Data</b>			<b>460 V, 60 Hz: High Voltage Connection</b>				
Rated Output (HP)	1.5	Full Load Torque	4.48 LB-FT				
Volts	230/460	Start Configuration	direct on line				
Full Load Amps	4.6/2.3	Breakdown Torque	18.8 LB-FT				
R.P.M.	1770	Pull-up Torque	9.6 LB-FT				
Hz	60 Phase	3	Locked-rotor Torque	12.6 LB-FT			
NEMA Design Code	B	KVA Code	M	Starting Current	19.7 A		
Service Factor (S.F.)	1.15	No-load Current	1.51 A				
NEMA Nom. Eff.	86.5	Power Factor	72	Line-line Res. @ 25°C	11.8 Ω		
Rating - Duty	40C	AMB-CONT	Temp. Rise @ Rated Load				48°C
S.F. Amps	5/2.5	Temp. Rise @ S.F. Load				57°C	
				Locked-rotor Power Factor	58.4		
				Rotor inertia	0.173 lb-ft <sup>2</sup>		

**Load Characteristics 460 V, 60 Hz, 1.5 HP**

% of Rated Load	25	50	75	100	125	150	S.F.
Power Factor	31	49	63	72	78	81	76
Efficiency	75.1	83.5	86	86.5	85.8	84.8	86.1
Speed	1792	1785	1777	1769	1760	1750	1764
Line amperes	1.56	1.72	1.97	2.28	2.65	3.06	2.5

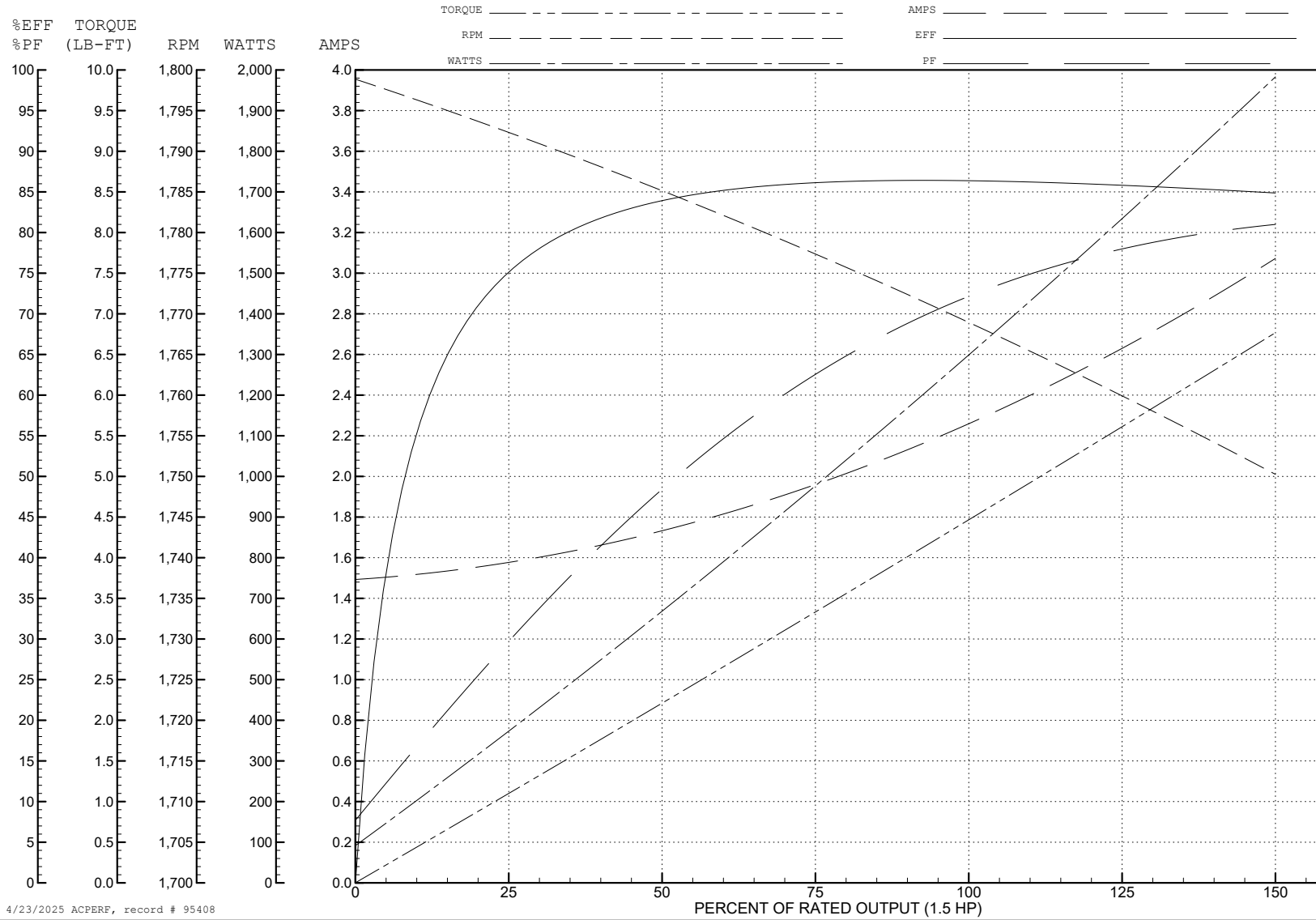
ABB Motors and Mechanical Inc.

WINDING # 05WGX510

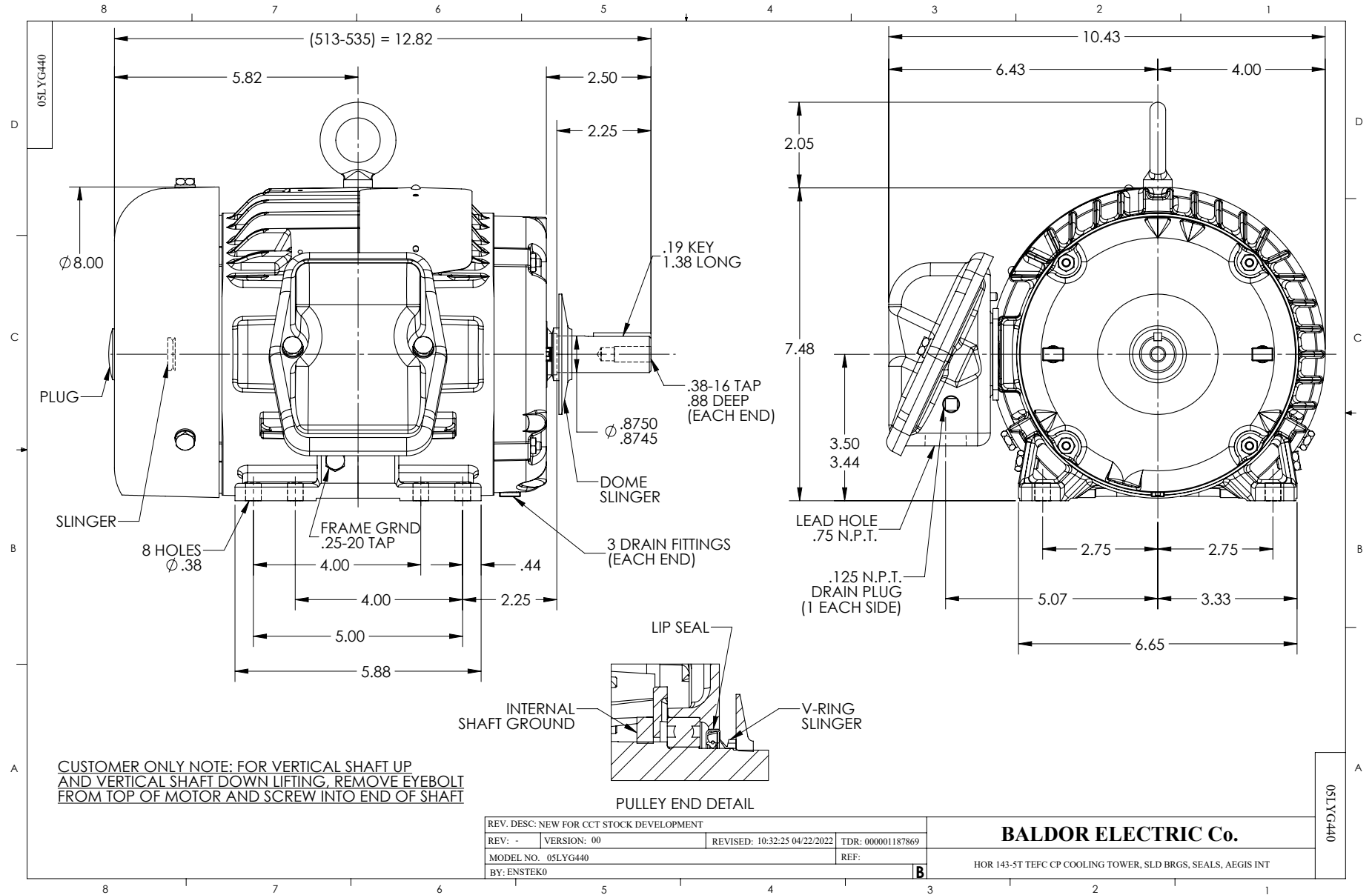
Typical performance - not guaranteed values.

1.5 HP 3 PH 60 HZ 1770 RPM 460 V 0524M

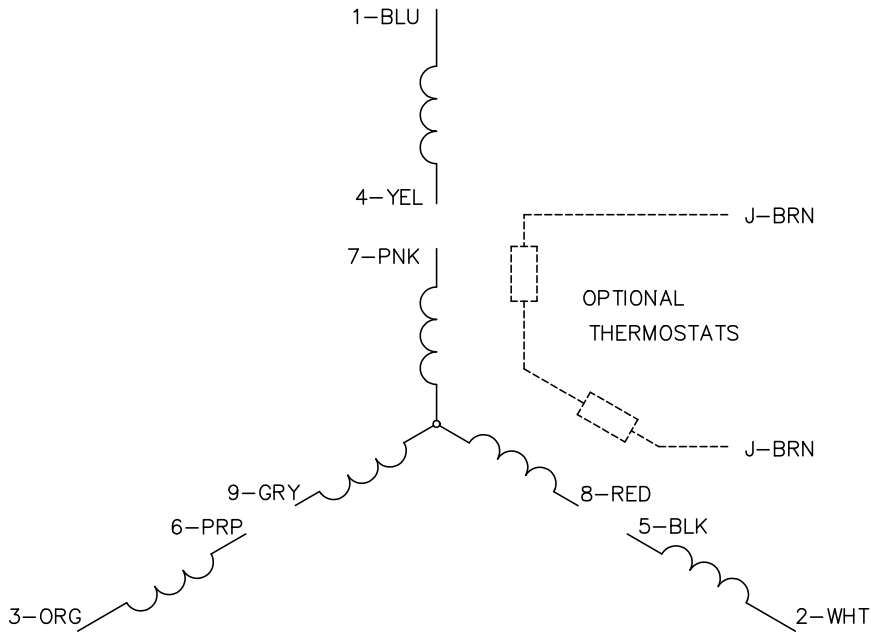
TORQUES (LB-FT): PO=18.8 PU=9.6 LR=12.6 LRA=19.7



4/23/2025 ACPERF, record # 95408



CD0005



LOW VOLTAGE  
(2Y)



LINE

HIGH VOLTAGE  
(1Y)



LINE

NOTES:

1. INTERCHANGE ANY TWO LINE LEADS TO REVERSE ROTATION.
2. OPTIONAL THERMOSTATS ARE PROVIDED WHEN SPECIFIED.
3. ACTUAL NUMBER OF INTERNAL PARALLEL CIRCUITS MAY BE A MULTIPLE OF THOSE SHOWN ABOVE.
4. LEAD COLORS ARE OPTIONAL. LEADS MUST ALWAYS BE NUMBERED AS SHOWN.

CD0005

REV. DESC: REVISE TO SHOW OPTIONAL COLORS			
REV. LTR: E	BY: JLP	REVISED: 01/19/99 10:15	TDR: 0171435
S00000		FILE: AAA00005140	MDL: -
		MTL: -	

BALDOR ELECTRIC Co.

3PH, DV, 9 LEADS