



---

# Customer information packet

## ECTM3581T-G

1HP, 1760RPM, 3PH, 60HZ, 143T, 0520M, TEFC, F1

Class - None

Division - Not Applicable

## Specifications

Enclosure	TEFC
Frame	143T
Frame Material	Iron
Frequency	60.00 Hz
Haz Area Class and Group	None
Haz Area Division	Not Applicable
Motor Letter Type	Three Phase
Output @ Frequency	1.000 HP @ 60 HZ
Phase	3
Synchronous Speed @ Frequency	1800 RPM @ 60 HZ
Voltage @ Frequency	230.0 V @ 60 HZ 460.0 V @ 60 HZ
Agency Approvals	CSA EEV NEMA PREMIUM NEMA_PREMIUM UR
Ambient Temperature	40 °C
Auxillary Box	No Auxillary Box
Auxillary Box Lead Termination	None
Base Indicator	Rigid
Bearing Grease Type	Polyrex EM (-20F +300F)
Blower	None
Current @ Voltage	3.260 A @ 230.0 V 3.200 A @ 208.0 V 1.630 A @ 460.0 V
Design Code	B
Drip Cover	No Drip Cover
Duty Rating	CONT
Efficiency @ 100% Load	85.5 %
Electrically Isolated Bearing	Not Electrically Isolated
Feedback Device	NO FEEDBACK
Front Shaft Indicator	Drilled And Tapped Hole

## Part detail

Revision	C
Type	AC
Mech. spec.	05G440
Base	
Status	PRD/A
Elec. spec.	05WGX508
Layout	05LYG440
Eff. date	06-08-2023
CD Diagram	CD0005
Poles	04
Leads	9#18
Proprietary	False
Created date	04-18-2022

Heater Indicator	Heater Included, 115 V
High Voltage Full Load Amps	1.6 a
Insulation Class	F
Inverter Code	Inverter Ready
KVA Code	N
Lifting Lugs	Standard Lifting Lugs
Locked Bearing Indicator	Locked Bearing
Motor Lead Quantity/Wire Size	9 @ 18 AWG
Motor Lead Termination	Flying Leads
Motor Standards	NEMA
Motor Type	0520M
Mounting Arrangement	F1
Number of Poles	4
Overall Length	12.82 IN
Power Factor	67
Product Family	Chemical Processing (Not DC)
Pulley End Bearing Type	Sealed Bearing
Pulley Face Code	Standard
Pulley Shaft Indicator	Tapped & Key
Rodent Screen	None
Service Factor	1.15
Shaft Diameter	0.875 IN
Shaft Ground Indicator	Shaft Grounding
Shaft Rotation	Reversible
Shaft Slinger Indicator	Shaft Slinger
Speed	1760 rpm
Speed Code	Single Speed
Starting Method	Direct on line
Thermal Device - Bearing	None
Thermal Device - Winding	None
Vibration Sensor Indicator	No Vibration Sensor
Winding Thermal 1	None
Winding Thermal 2	None

**Nameplate**

<b>NP1260</b>									
<b>CAT.NO.</b>	ECTM3581T-G								
<b>SPEC.</b>	05G440X508G1								
<b>HP</b>	1								
<b>VOLTS</b>	230/460								
<b>AMP</b>	3.26/1.63								
<b>RPM</b>	1760								
<b>FRAME</b>	143T	<b>HZ</b>	60	<b>PH</b>	3				
<b>SER.F.</b>	1.15	<b>CODE</b>	N	<b>DES</b>	B	<b>CL</b>	F		
<b>NEMA-NOM-EFF</b>	85.5	<b>PF</b>	67						
<b>RATING</b>	40C AMB-CONT								
<b>CC</b>									
<b>DE</b>	6205	<b>ODE</b>	6203						
<b>ENCL</b>	TEFC	<b>SN</b>							
	INV DUTY 20:1 VT								

**AC Induction Motor Performance Data**

Record # 82131

Typical performance - not guaranteed values

<b>Winding: 05WGX508-R001</b>		<b>Type: 0520M</b>		<b>Enclosure: TEFC</b>	
<b>Nameplate Data</b>			<b>460 V, 60 Hz: High Voltage Connection</b>		
<b>Rated Output (HP)</b>	1	<b>Full Load Torque</b>	2.979 LB-FT		
<b>Volts</b>	230/460	<b>Start Configuration</b>	direct on line		
<b>Full Load Amps</b>	3.2-3.2/1.6	<b>Breakdown Torque</b>	13.9 LB-FT		
<b>R.P.M.</b>	1760	<b>Pull-up Torque</b>	8 LB-FT		
<b>Hz</b>	60 <b>Phase</b>	3	<b>Locked-rotor Torque</b>	9.18 LB-FT	
<b>NEMA Design Code</b>	<b>B KVA Code</b>	N	<b>Starting Current</b>	14.4 A	
<b>Service Factor (S.F.)</b>		1.15	<b>No-load Current</b>	1.11 A	
<b>NEMA Nom. Eff.</b>	<b>0 Power Factor</b>	0	<b>Line-line Res. @ 25°C</b>	16.215 Ω	
<b>Rating - Duty</b>		40C AMB-CONT	<b>Temp. Rise @ Rated Load</b>	24°C	
<b>S.F. Amps</b>			<b>Temp. Rise @ S.F. Load</b>	28°C	
			<b>Locked-rotor Power Factor</b>	62	

**Load Characteristics 460 V, 60 Hz, 1 HP**

<b>% of Rated Load</b>	<b>25</b>	<b>50</b>	<b>75</b>	<b>100</b>	<b>125</b>	<b>150</b>	<b>S.F.</b>
<b>Power Factor</b>	29	46	59	68	74	79	72
<b>Efficiency</b>	71.2	81.4	84.6	85.5	85.4	84.7	85.4
<b>Speed</b>	1791.4	1784.2	1776.7	1768.6	1760	1750.7	1763
<b>Line amperes</b>	1.14	1.25	1.41	1.61	1.84	2.11	1.75

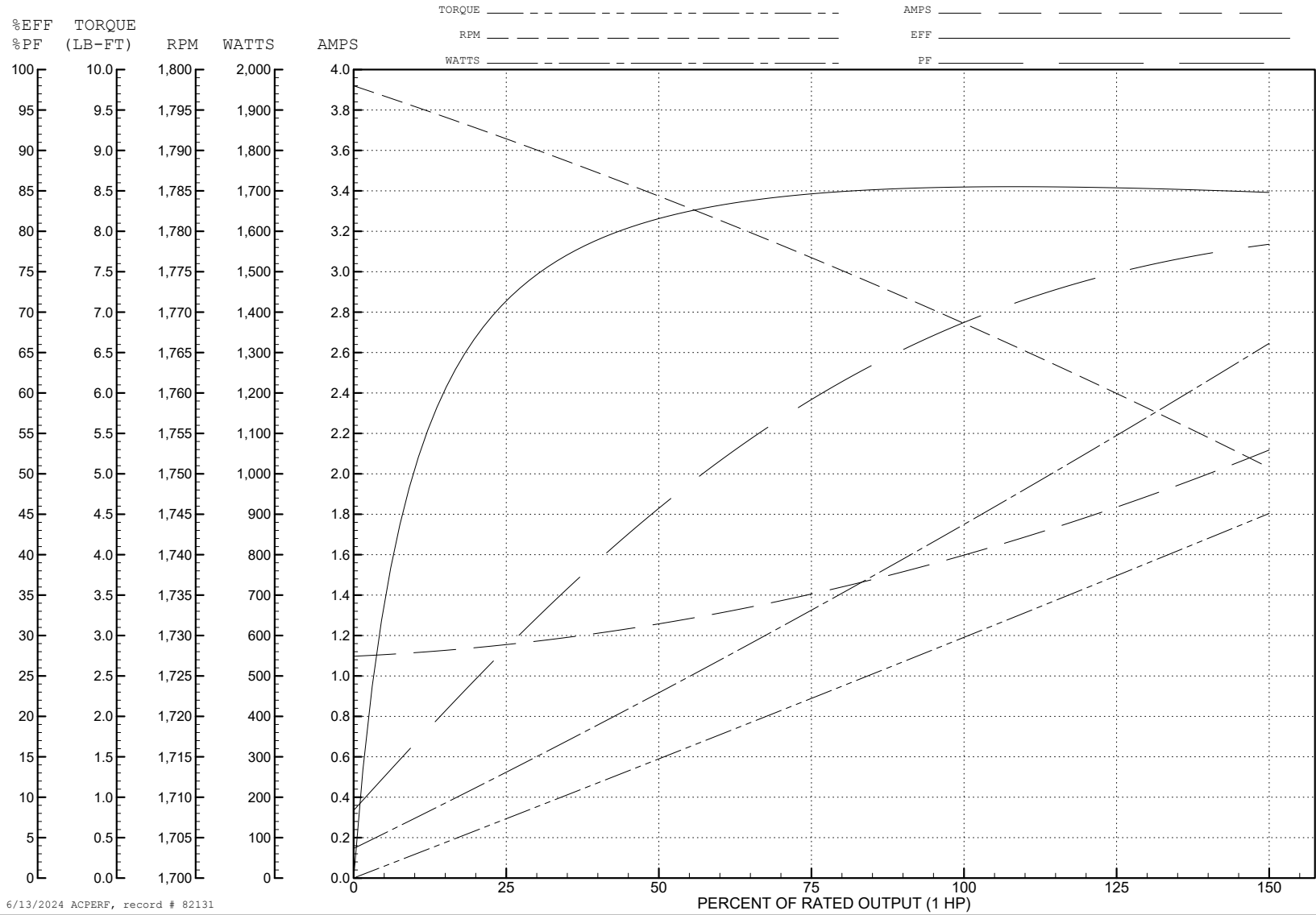
ABB Motors and Mechanical Inc.

WINDING # 05WGX508

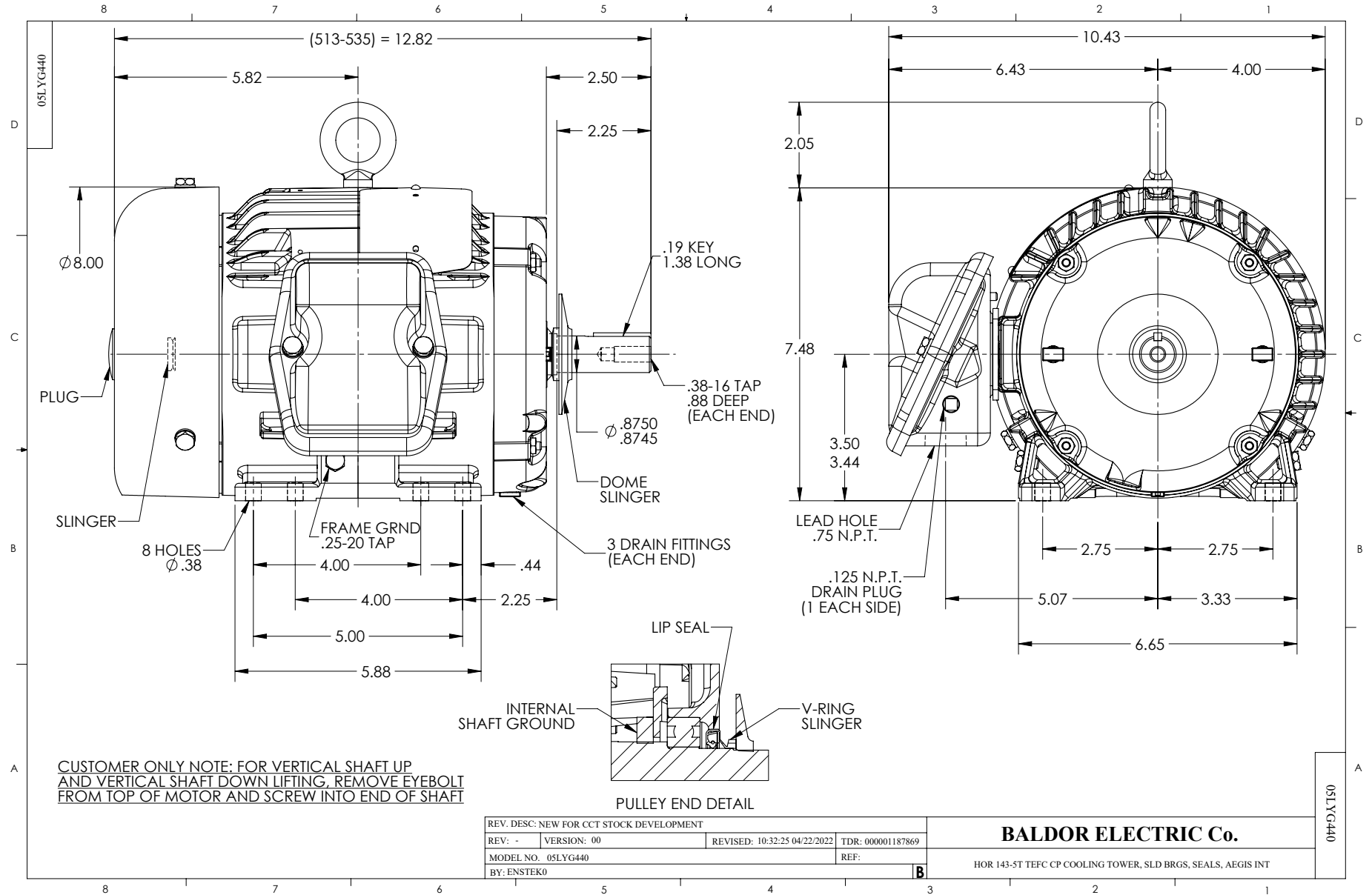
Typical performance - not guaranteed values.

1 HP 3 PH 60 HZ 1760 RPM 460 V 0520M

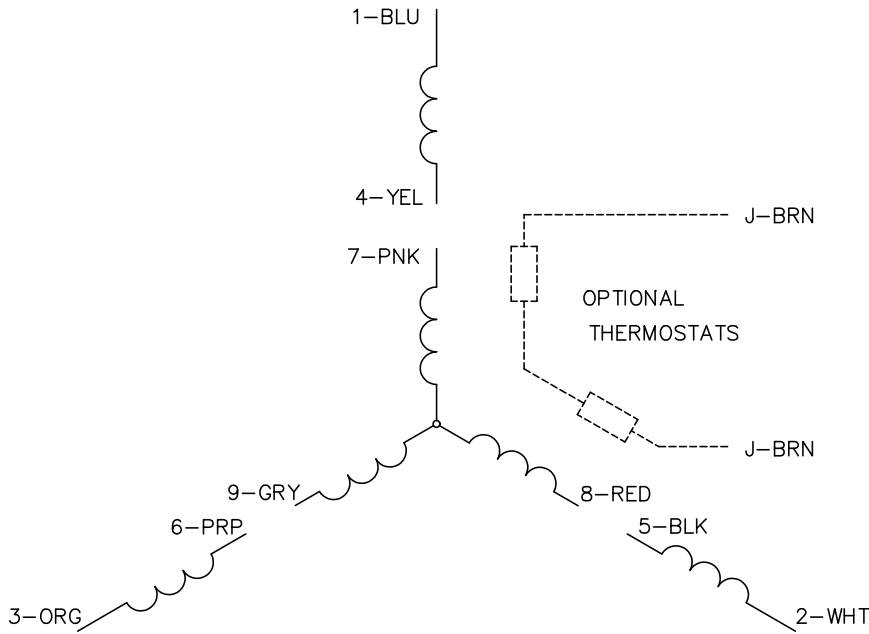
TORQUES (LB-FT): PO=13.9 PU=8 LR=9.18 LRA=14.4



6/13/2024 ACPERF, record # 82131



CD0005



LOW VOLTAGE  
(2Y)



LINE

HIGH VOLTAGE  
(1Y)



LINE

NOTES:

1. INTERCHANGE ANY TWO LINE LEADS TO REVERSE ROTATION.
2. OPTIONAL THERMOSTATS ARE PROVIDED WHEN SPECIFIED.
3. ACTUAL NUMBER OF INTERNAL PARALLEL CIRCUITS MAY BE A MULTIPLE OF THOSE SHOWN ABOVE.
4. LEAD COLORS ARE OPTIONAL. LEADS MUST ALWAYS BE NUMBERED AS SHOWN.

CD0005

REV. DESC: REVISE TO SHOW OPTIONAL COLORS			
REV. LTR: E	BY: JLP	REVISED: 01/19/99 10:15	TDR: 0171435
S00000		FILE: AAA00005140	MDL: -
		MTL: -	

**BALDOR ELECTRIC Co.**

3PH, DV, 9 LEADS