

BALDOR • RELIANCE

Customer information packet

ECTM2334T-G-AO

20 AIR OVERHP, 1770RPM, 3PH, 60HZ, 256T, 0960

Class - None

Division - Not Applicable

Specifications

Enclosure	TEAO
Frame	256T
Frame Material	Iron
Frequency	60.00 Hz
Haz Area Class and Group	None
Haz Area Division	Not Applicable
Motor Letter Type	Three Phase
Output @ Frequency	20.000 HP @ 60 HZ
Phase	3
Synchronous Speed @ Frequency	1800 RPM @ 60 HZ
Voltage @ Frequency	230.0 V @ 60 HZ 460.0 V @ 60 HZ
Agency Approvals	CSA EEV NEMA PREMIUM NEMA_PREMIUM UR
Ambient Temperature	40 °C
Auxillary Box	No Auxillary Box
Auxillary Box Lead Termination	None
Base Indicator	Rigid
Bearing Grease Type	Polyrex EM (-20F +300F)
Blower	None
Current @ Voltage	52.000 A @ 208.0 V 48.000 A @ 230.0 V 24.000 A @ 460.0 V
Design Code	A
Drip Cover	No Drip Cover
Duty Rating	CONT
Efficiency @ 100% Load	93.0 %
Electrically Isolated Bearing	Not Electrically Isolated
Feedback Device	NO FEEDBACK
Front Shaft Indicator	None

Part detail

Revision	G
Type	AC
Mech. spec.	09N187
Base	
Status	PRD/A
Elec. spec.	09WGT459
Layout	09LYN187
Eff. date	02-19-2024
CD Diagram	CD0180
Poles	04
Leads	9#10
Proprietary	False
Created date	03-25-2022

Heater Indicator	Heater Included, 115 V
High Voltage Full Load Amps	24.0 a
Insulation Class	F
Inverter Code	Inverter Ready
KVA Code	J
Lifting Lugs	Vertical Lifting Lugs
Locked Bearing Indicator	Locked Bearing
Motor Lead Quantity/Wire Size	9 @ 10 AWG
Motor Lead Termination	Flying Leads
Motor Standards	NEMA
Motor Type	0960M
Mounting Arrangement	F1
Number of Poles	4
Overall Length	23.09 IN
Power Factor	83
Product Family	Chemical Processing (Not DC)
Pulley End Bearing Type	Sealed Bearing
Pulley Face Code	Standard
Pulley Shaft Indicator	Tapped & Key
Rodent Screen	None
RoHS Status	ROHS COMPLIANT
Service Factor	1.15
Shaft Diameter	1.625 IN
Shaft Ground Indicator	Shaft Grounding
Shaft Rotation	Reversible
Shaft Slinger Indicator	Shaft Slinger
Speed	1770 rpm
Speed Code	Single Speed
Starting Method	Direct on line
Thermal Device - Bearing	None
Thermal Device - Winding	None
Vibration Sensor Indicator	No Vibration Sensor
Winding Thermal 1	None
Winding Thermal 2	None

Nameplate

NP2178									
CAT.NO.	ECTM2334T-G-AO								
SPEC.	09N187T459G1								
HP	20 AIR OVER								
VOLTS	230/460								
AMP	48/24								
RPM	1770								
FRAME	256T		HZ	60		PH	3		
SER.F.	1.15	CODE	J	DES	A	CL	F		
NEMA-NOM-EFF	93	PF	83						
RATING	40C AMB-CONT								
CC									
DE	6309	ODE	6208						
ENCL	TEAO	SN							
	INV DUT 20:1 VT								

AC Induction Motor Performance Data

Record # 70816

Typical performance - not guaranteed values

Winding: 09WGT459-R007		Type: 0960M		Enclosure: TEAO	
Nameplate Data			460 V, 60 Hz: High Voltage Connection		
Rated Output (HP)	20 AIR OVER		Full Load Torque	59.27 LB-FT	
Volts	230/460		Start Configuration	direct on line	
Full Load Amps	48/24		Breakdown Torque	232 LB-FT	
R.P.M.	1770		Pull-up Torque	126 LB-FT	
Hz	60	Phase	3	Locked-rotor Torque	141 LB-FT
NEMA Design Code	A	KVA Code	J	Starting Current	198 A
Service Factor (S.F.)	1.15		No-load Current	10.4 A	
NEMA Nom. Eff.	93	Power Factor	83	Line-line Res. @ 25°C	0.33814 Ω
Rating - Duty	40C AMB-CONT		Temp. Rise @ Rated Load	58°C	
S.F. Amps			Temp. Rise @ S.F. Load	70°C	
			Locked-rotor Power Factor	26.9	

Load Characteristics 460 V, 60 Hz, 20 HP

% of Rated Load	25	50	75	100	125	150	S.F.
Power Factor	45	67	78	83	86	87	85
Efficiency	89.2	93	93.7	93.6	93.1	92.4	93.3
Speed	1793.2	1786.4	1779.1	1771.9	1763.7	1755.3	1767
Line amperes	11.8	15	19.2	24	29.3	34.9	27.2

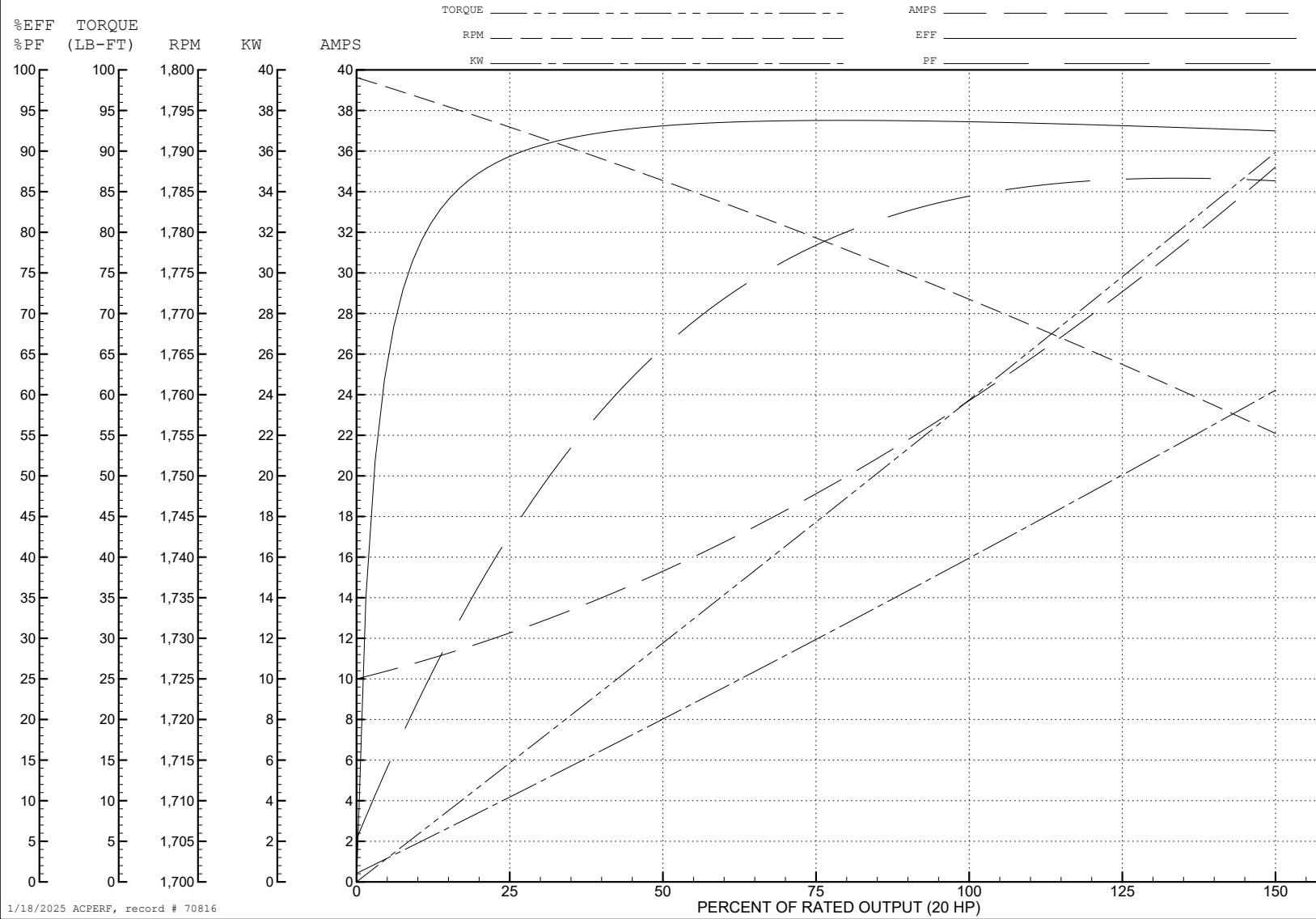
ABB Motors and Mechanical Inc.

WINDING # 09WGT459

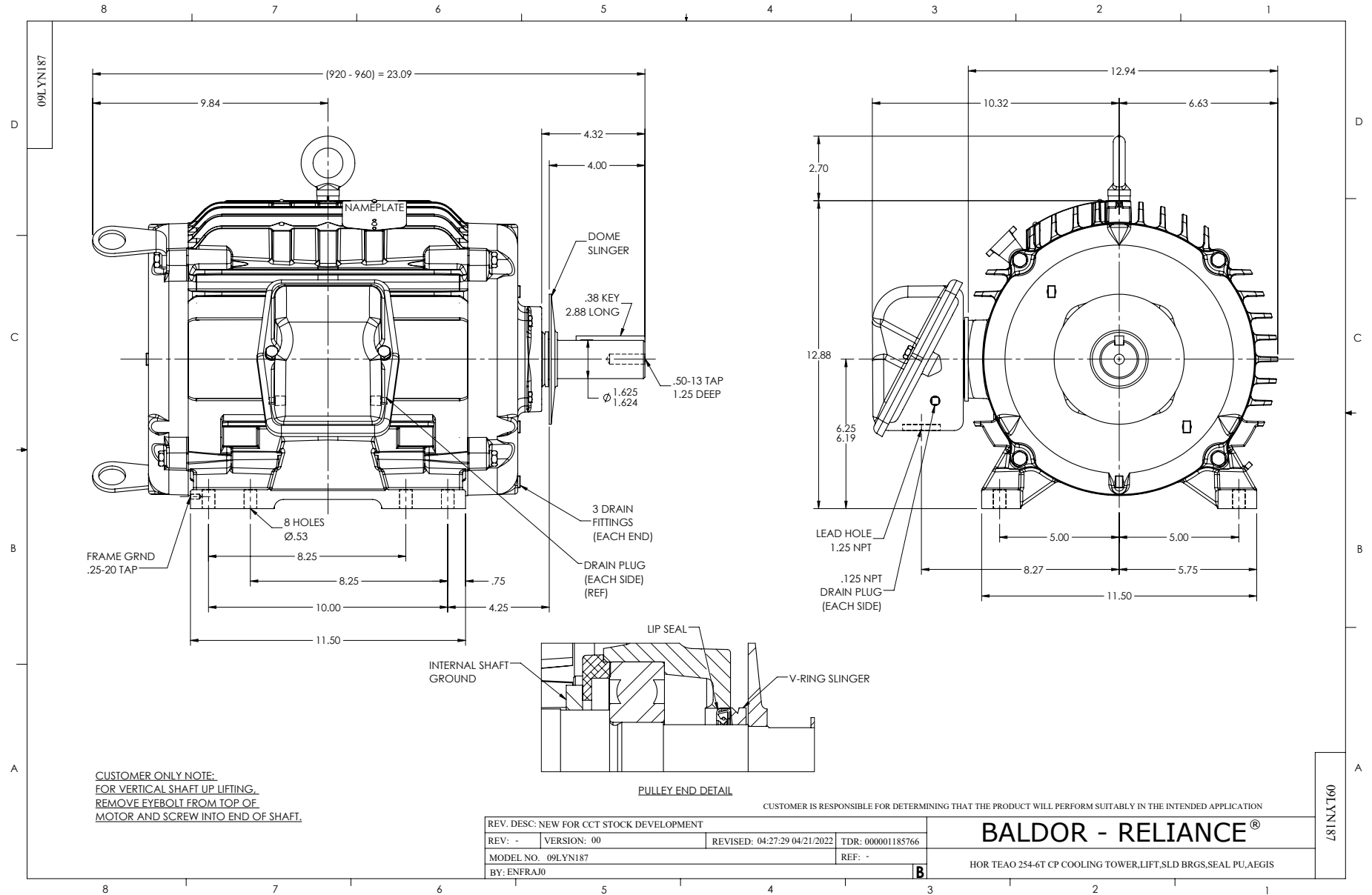
Typical performance - not guaranteed values.

20 HP 3 PH 60 HZ 1770 RPM 460 V 0960M

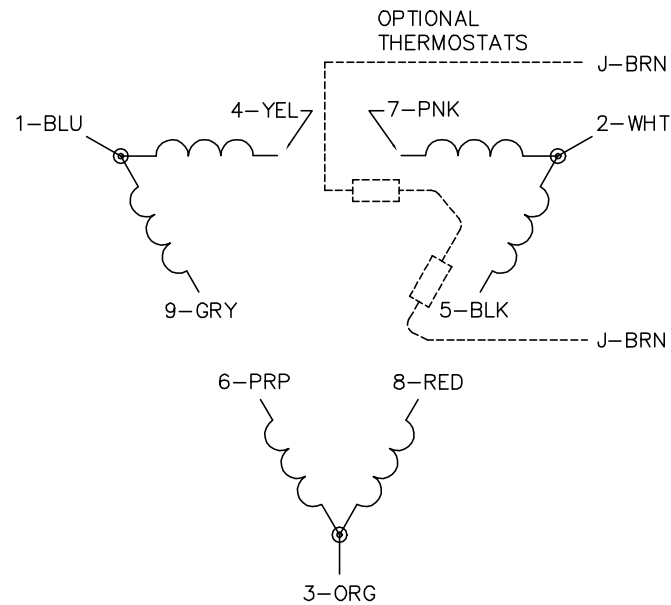
TORQUES (LB-FT): PO=232 PU=126 LR=141 LRA=198



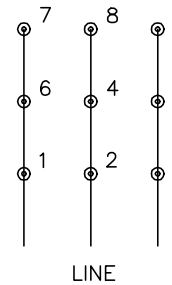
1/18/2025 ACPERF, record # 70816



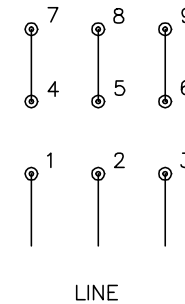
CD0180



LOW VOLTAGE
(2D)



HIGH VOLTAGE
(1D)



NOTES:

1. INTERCHANGE ANY TWO LINE LEADS TO REVERSE ROTATION.
2. OPTIONAL THERMOSTATS ARE PROVIDED WHEN SPECIFIED.
3. ACTUAL NUMBER OF INTERNAL PARALLEL CIRCUITS MAY BE A MULTIPLE OF THOSE SHOWN ABOVE.
4. LEAD COLORS ARE OPTIONAL. LEADS MUST ALWAYS BE NUMBERED AS SHOWN.

CD0180

REV. DESC: ADD CLASS CONN00000007		
REV. LTR: D	VERSION: 01	TDR: 000001099922
FILE: \AAA\00005\148	REVISED: 10:25:29 02/19/2019	BY: ENBRIRO
MTL: -	© □	

BALDOR - RELIANCE®

3PH, DV, 9 LEADS, DELTA CONNECTION

SH 1 of 1