

BALDOR • RELIANCE

Customer information packet

ECS101T3K5P5FD4

5.5KW, 1500RPM, 3PH, 50HZ, D132D, 3730B, TEFC

Class - None

Division - Not Applicable

Specifications

Enclosure	TEFC
Frame	D132D
Frame Material	Steel
Frequency	50.00 Hz
Haz Area Class and Group	None
Haz Area Division	Not Applicable
Motor Letter Type	Brushless Wound Field PM Rotor
Output @ Frequency	5.500 KW @ 50 HZ
Phase	3
Synchronous Speed @ Frequency	1500 RPM @ 50 HZ
Voltage @ Frequency	380.0 V @ 50 HZ
Agency Approvals	CE WEEE CULUS
Ambient Temperature	40 °C
Auxillary Box	No Auxillary Box
Auxillary Box Lead Termination	None
Base Indicator	No Mounting
Bearing Grease Type	Polyrex EM (-20F +300F)
Blower	None
Constant Torque Speed Range	5
Current @ Voltage	12.000 A @ 380.0 V
Drip Cover	No Drip Cover
Duty Rating	S1
Efficiency @ 100% Load	92.9 %
Electrically Isolated Bearing	Not Electrically Isolated
Feedback Device	NO FEEDBACK
Frame Prefix	D
Heater Indicator	No Heater
High Voltage Full Load Amps	12.0 a
Insulation Class	F
Inverter Code	Inverter Duty

Part detail

Revision	E
Type	AC
Mech. spec.	
Base	
Status	PRD/A
Elec. spec.	37WGA0020
Layout	37LYQ506
Eff. date	07-09-2024
CD Diagram	CD0006B03
Poles	04
Leads	3#12 19" LONG LEADS
Proprietary	False
Created date	05-25-2022

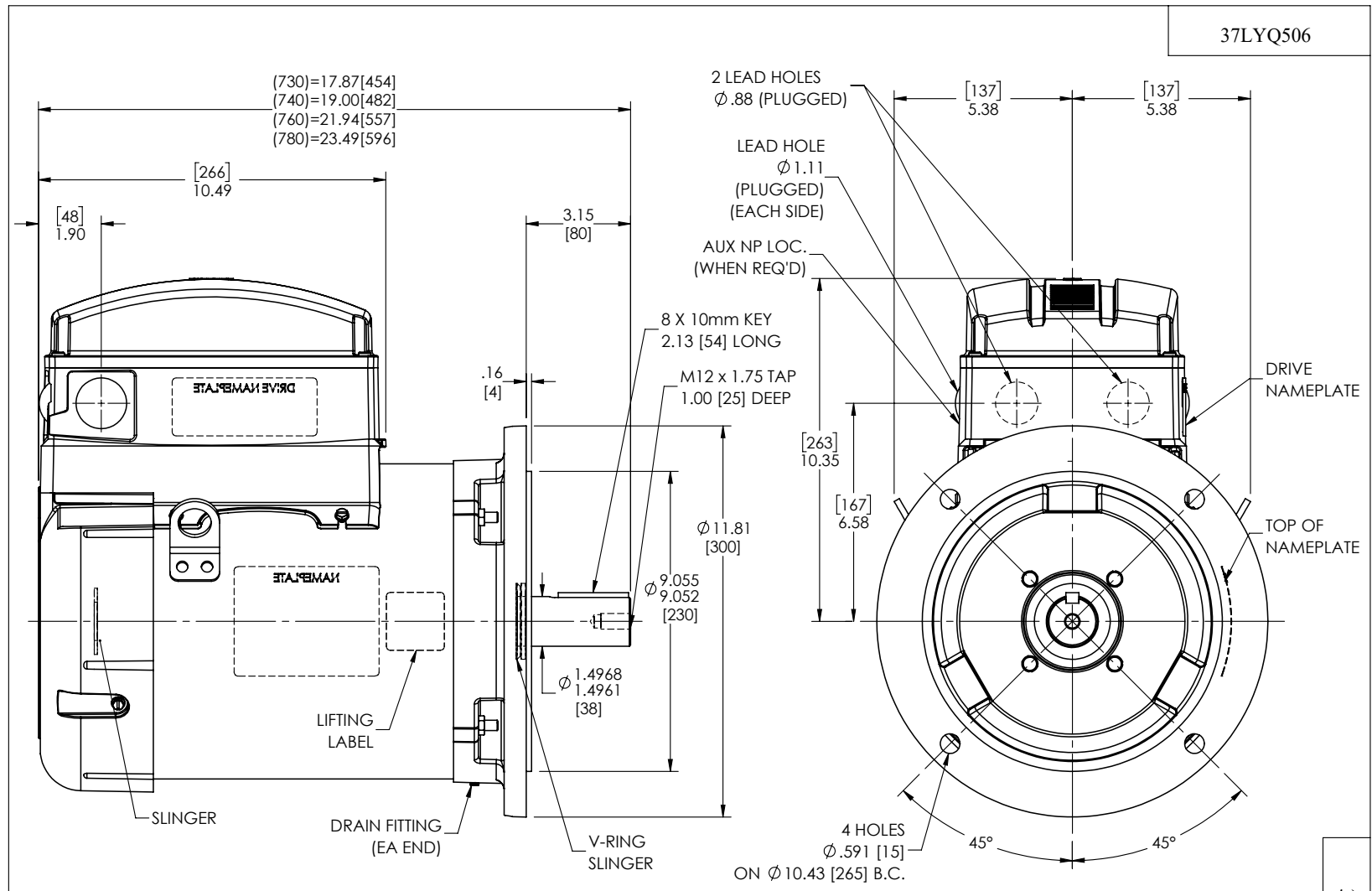
Lifting Lugs	Vertical Lifting Lugs
Locked Bearing Indicator	Locked Bearing
Motor Lead Termination	Flying Leads
Motor Standards	IEC
Motor Type	3730B
Mounting Arrangement	V1
Number of Poles	4
Overall Length	17.87 IN
Power Factor	97
Product Family	General Purpose
Pulley Face Code	D-Flange
Rodent Screen	None
Service Factor	1.00
Shaft Diameter	1.497 IN
Shaft Ground Indicator	Shaft Grounding
Shaft Rotation	Reversible
Speed	1500 rpm
Speed Code	Single Speed
Starting Method	Direct on line
Thermal Device - Bearing	None
Thermal Device - Winding	None
Vibration Sensor Indicator	No Vibration Sensor
Winding Thermal 1	None
Winding Thermal 2	None

Nameplate

NP3978A01						
PART NO.	ECIN4A12P0					
U1	400	PH	3	HZ	50	
I1	11.1	W/EXT. CHOKE			9.7	
SERIAL #						

NP3968B01A01

CAT.NO.	ECS101T3K5P5FD4						
SPEC.	37-0000-0475			YR			
FRAME	D132D		IP	55	WT.	67	
KW	5.5	HZ	50	PH	3	DUTY-IPM	S1
INS CL	F	CLASS RISE		F	AMB-C		40
EFF. CL	IE5	EFF	92.9	COS0		97	
VOLTS	380		FLA	12.24			
1/MIN	1500		1/MIN MAX		3000		
BEMF (V)	188		RS (OHMS)		1.39		
LD (MH)	28.09		LQ (MH)		80.586		
VPWM	CP =	50	TO	100			
CT	5	TO	50	VT	1	TO	100
MATCHED INV	ECIN4A12P0						
DE	6208	ODE	6206				
SERIAL #							



37LYQ506

37LYQ506

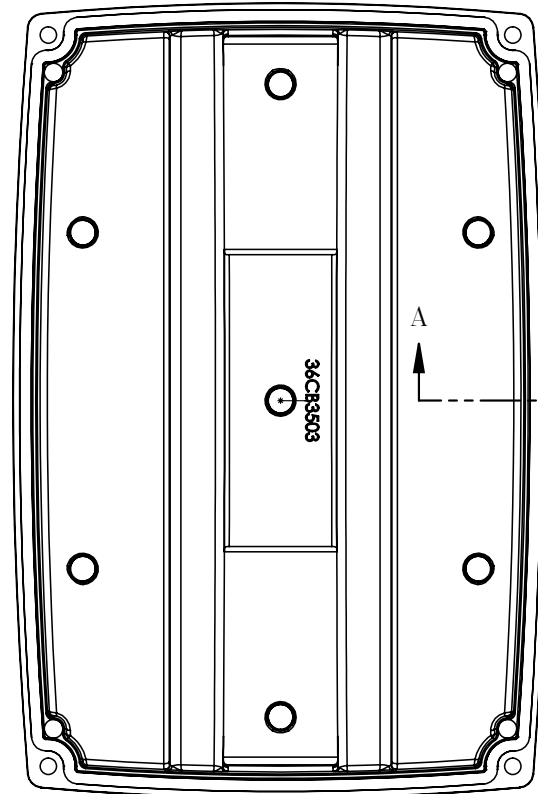
CUSTOMER IS RESPONSIBLE FOR DETERMINING THAT THE PRODUCT WILL PERFORM SUITABLY IN THE INTENDED APPLICATION

REV. DESC: ADD HA1005A11 BETWEEN ODE AND EXT FAN/FIX MATES			
REV: A	VERSION: 01	REVISED: 03:58:23 06/02/2022	TDR: 000001190317
9050171E		MODEL NO. 37LYQ506	REF: -
		BY: ENFRAJ0	

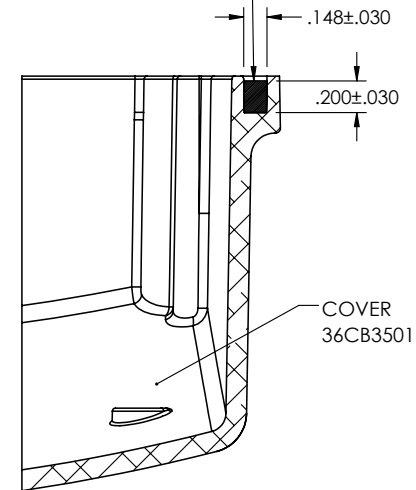
BALDOR - RELIANCE®

VER D132D TEFC B TOP MOUNT DRV INT SH GND ECS

36CB3503A00



MATERIAL: RAMPF, RAKU-PUR 32-3280-51L



SECTION A-A

36CB3503A00

REV. DESC: NEW

REV: -

VERSION: 00

REVISED: 09:13:16 01/15/2020

TDR: 000001129989



MODEL NO. 36CB3503A00

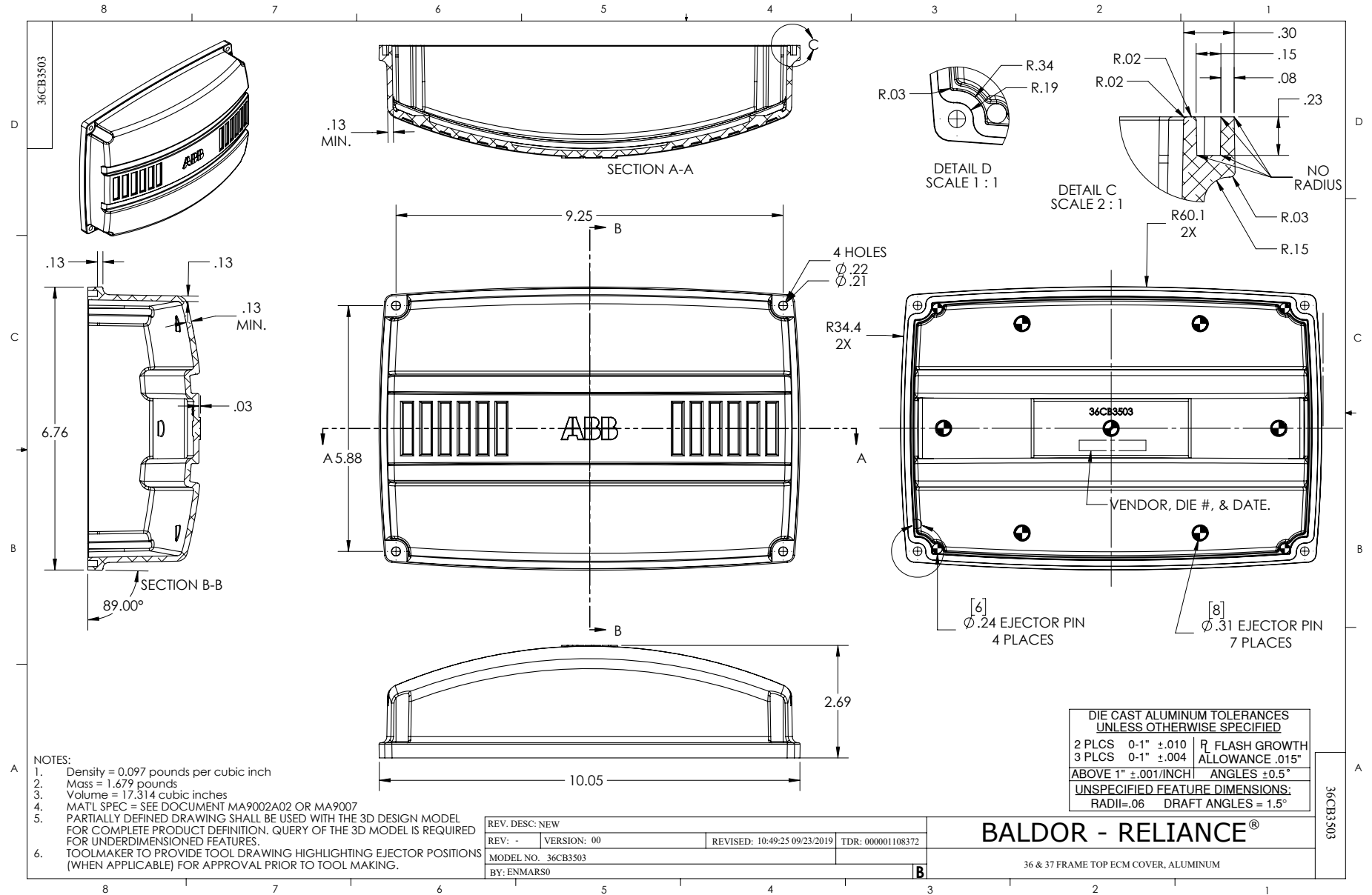
REF: -

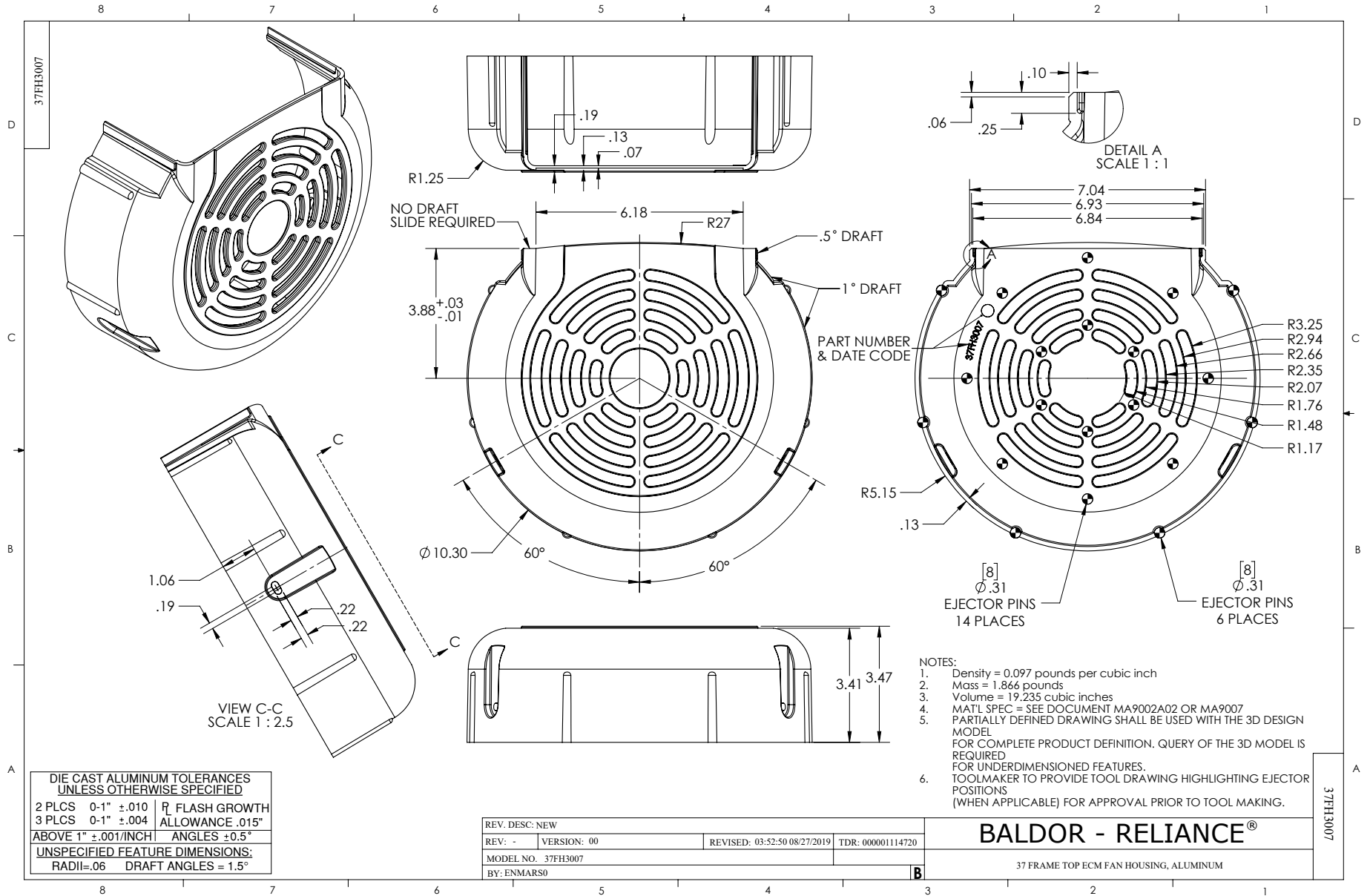
BY: ENMARS0

Material: -

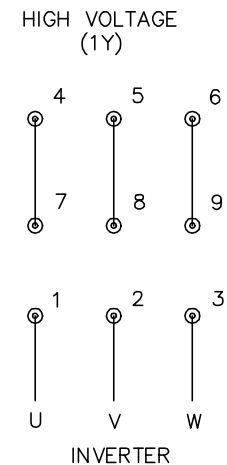
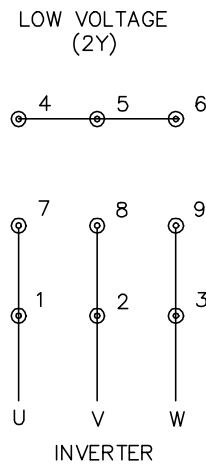
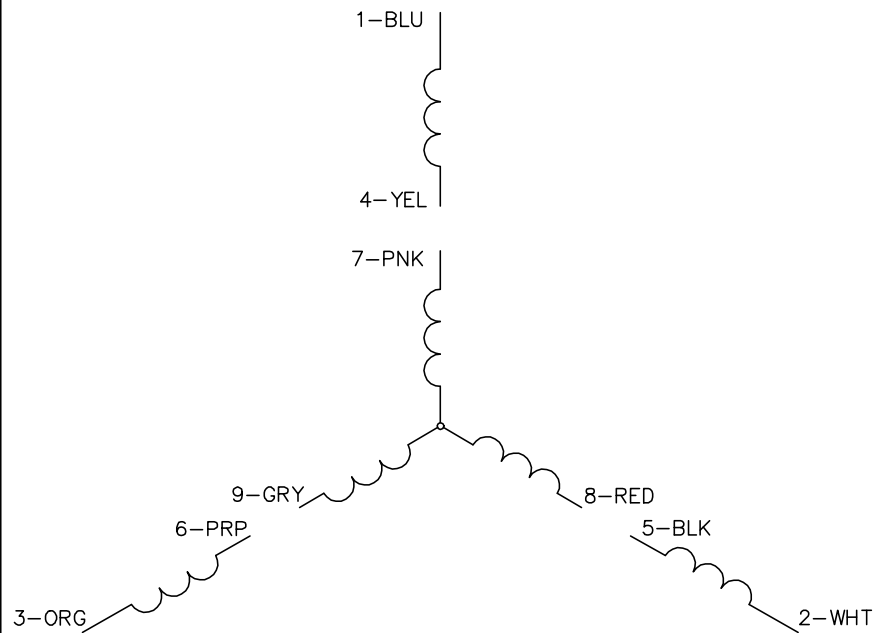
BALDOR - RELIANCE®

36 & 37 FRAME TOP ECM ALUMINUM COVER WITH FOAM SEAL





CD0005A25



NOTES:

1. INTERCHANGE ANY TWO LINE LEADS TO REVERSE ROTATION.
2. ACTUAL NUMBER OF INTERNAL PARALLEL CIRCUITS MAY BE A MULTIPLE OF THOSE SHOWN ABOVE.
3. LEAD COLORS ARE OPTIONAL. LEADS MUST ALWAYS BE NUMBERED AS SHOWN.

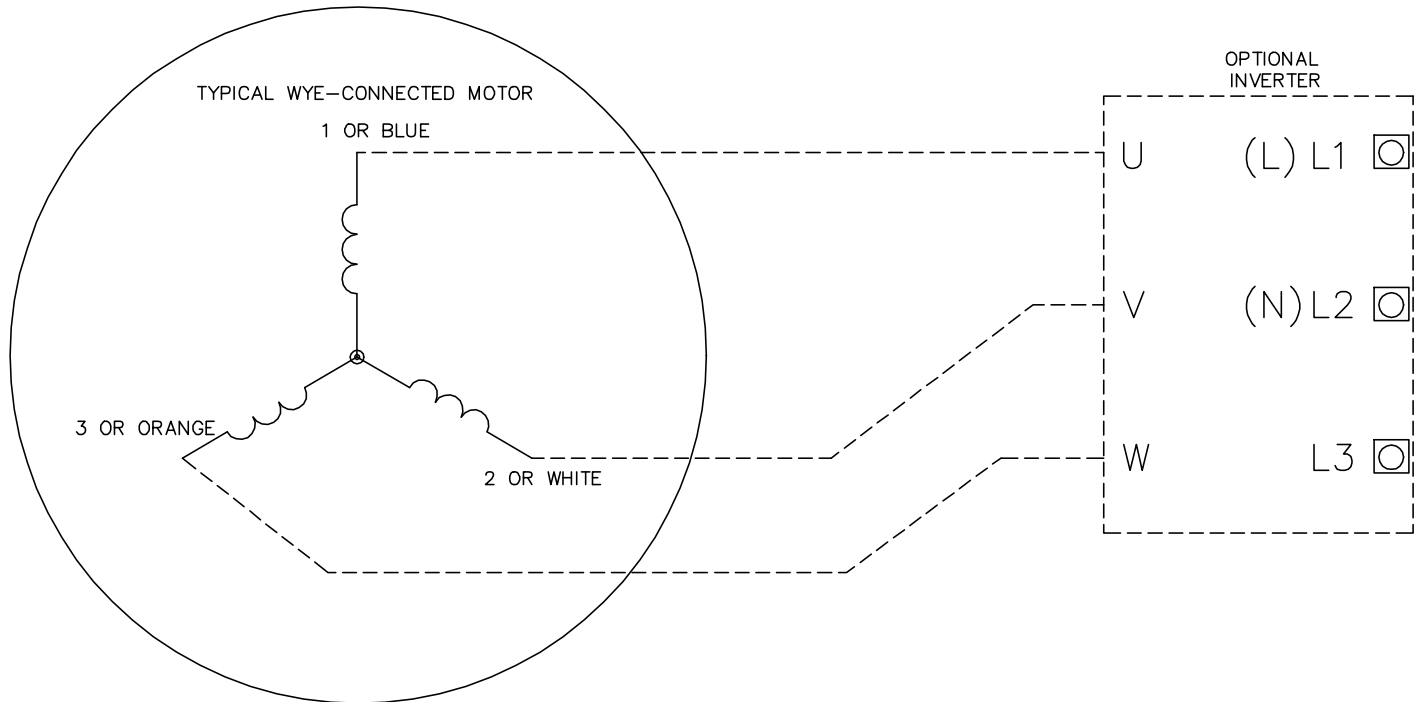
CD0005A25

REV. DESC: NEW		
REV. LTR: -	VERSION: 00	TDR: 000001135746
FILE: \AAA\00253\082	REVISED: 01:10:57 03/30/2020	BY: ENMARSO
MTL: -	© □	

BALDOR - RELIANCE®

3PH, DV, 9 LEADS, ECS
SH 1 of 1

CD0006B03



NOTES:

1. INTERCHANGE ANY TWO LINE LEADS TO REVERSE ROTATION.
2. ACTUAL NUMBER OF INTERNAL PARALLEL CIRCUITS MAY VARY.

CD0006B03

REV. DESC: CHANGE LEAD COLORS TO BLUE WHITE ORANGE		
REV. LTR: A	VERSION: 01	TDR: 000001158598
FILE: \AAA\00252\917	REVISED: 11:01:03 01/19/2021	BY: ENMARSO
MTL: -	© □	

BALDOR - RELIANCE®

3PH, SV, 3 LEADS, WYE CONNECTED, ECS

SH 1 of 1