

ABB BALDOR RELIANCE III

Customer information packet

ECS101T3K4EF4

4KW, 1500RPM, 3PH, 50HZ, D112, 3632B, TEFC, F1

Class - None

Division - Not Applicable

Specifications

Enclosure	TEFC
Frame	D112
Frame Material	Steel
Frequency	50.00 Hz
Haz Area Class and Group	None
Haz Area Division	Not Applicable
Motor Letter Type	Three Phase
Output @ Frequency	4.000 KW @ 50 HZ
Phase	3
Synchronous Speed @ Frequency	1500 RPM @ 50 HZ
Voltage @ Frequency	380.0 V @ 50 HZ
Agency Approvals	BLUETOOTH CE CULUS WEEE
Ambient Temperature	40 °C
Auxiliary Box	NO AUXILLARY BOX
Auxiliary Box Lead Termination	None
Base Indicator	Rigid
Bearing Grease Type	Polyrex EM (-20F +300F)
Blower	None
Constant Torque Speed Range	5
Current @ Voltage	6.800 A @ 380.0 V
Drip Cover	No Drip Cover
Duty Rating	S1
Efficiency @ 100% Load	91.6 %
Electrically Isolated Bearing	Not Electrically Isolated
Feedback Device	NO FEEDBACK
Frame Prefix	D
Heater Indicator	No Heater
High Voltage Full Load Amps	6.8 a
Insulation Class	F

Part Detail

Revision	H
Type	AC
Mech. spec.	
Base	
Status	PRD/A
Elec. spec.	36WGA0022
Layout	36LYT272
Eff. date	05-08-2024
CD Diagram	CD0006B03
Poles	04
Leads	3#12 19" LONG LEADS
Proprietary	False
Created date	05-18-2022

Inverter Code	Inverter Duty
Lifting Lugs	Standard Lifting Lugs
Locked Bearing Indicator	No Locked Bearing
Motor Lead Termination	Flying Leads
Motor Standards	IEC
Motor Type	3632B
Mounting Arrangement	F1
Number of Poles	4
Overall Length	16.34 IN
Power Factor	97
Product Family	General Purpose
Pulley Face Code	Standard
Rodent Screen	None
Service Factor	1.00
Shaft Diameter	1.103 IN
Shaft Ground Indicator	Shaft Grounding
Shaft Rotation	Reversible
Speed	1500 rpm
Speed Code	Single Speed
Starting Method	Direct on line
Thermal Device - Bearing	None
Thermal Device - Winding	None
Vibration Sensor Indicator	No Vibration Sensor
Winding Thermal 1	None
Winding Thermal 2	None

Nameplate

NP3978A01					
PART NO.	ECIN4A9P5				
U1	400	PH	3	HZ	50
I1	8	W/EXT. CHOKE			6.8
SERIAL #					

NP3968B01A01

CAT.NO.	ECS101T3K4EF4										
SPEC.	36-0000-3626					YR					
FRAME	D112S		IP	55		WT.	43				
KW	4	HZ	50		PH	3	DUTY-IPM	S1			
INS CL	F	CLASS RISE			B	AMB-C		40			
EFF. CL	IE5	EFF	91.6		COS0		97				
VOLTS	380			FLA	6.8						
1/MIN	1500				1/MIN MAX		3000				
BEMF (V)	210				RS (OHMS)		3.3				
LD (MH)	54				LQ (MH)		191				
VPWM	CP =		50		TO		100				
CT	5	TO		50	VT	1	TO		50		
MATCHED INV	ECIN4A9P5										
DE	6206		ODE		6205						
SERIAL #											

Volts	190/380	Max RPM	3000	Conn Diag.	CD0005A25	Leads	9
Amps	13.6/6.8	Max Amps		Cs Diagram	CS0576	BEMF	105/210
KW	4	VFD#	ACS380-040S-09			LD	13.5/54.0
RPM	1500	S.F.	1.00			LQ	47.8/191.0
Phase/Hz	3/50	Rating	40C AMB-S1			Rs	3.3231 Meas. L-L

60034-2-3 Motor Performance at Standardized Operating Points

	RPM	% Speed	LB-FT	% Torque	KW	Efficiency	Loss (% FL)	Watts Loss (W)
P1	1350	90%	18.8	100%	4.8	90.4	9.48%	383
P2	750	50%	18.8	100%	2.7	86.5	7.72%	312
P3	375	25%	18.8	100%	1.3	78.3	6.87%	278
P4	1350	90%	9.4	50%	2.4	92.4	3.67%	149
P5	750	50%	9.4	50%	1.3	89.2	2.98%	121
P6	750	50%	4.7	25%	0.7	89.8	1.40%	57
P7	375	25%	4.7	25%	0.3	84.7	1.12%	45

61800-9-2 PDS Performance at Reference Operating Points

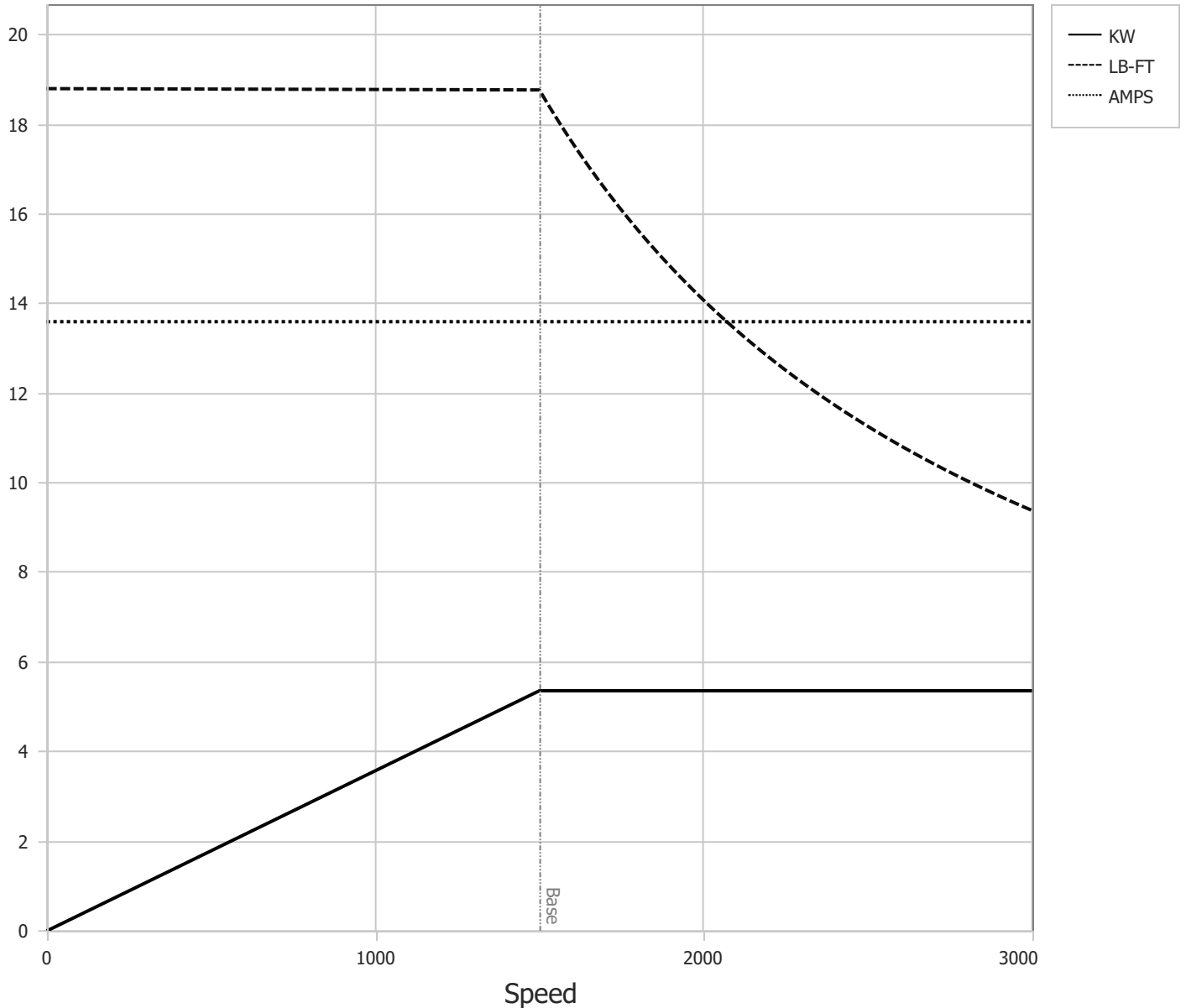
	RPM	% Speed	LB-FT	% Torque	KW	System Efficiency	Loss (% FL)	Watts Loss (W)
P1	1500	100%	18.8	100%	5.4	87.9	13.58%	549
P2	750	50%	18.8	100%	2.7	84.1	9.35%	378
P3	255	17%	18.8	100%	0.9	67.7	8.02%	324
P4	1500	100%	9.4	50%	2.7	91.1	4.85%	196
P5	750	50%	9.4	50%	1.3	86.1	3.99%	162
P6	255	17%	9.4	50%	0.5	71.8	3.30%	133
P7	750	50%	4.7	25%	0.7	85.2	2.14%	87
P8	255	17%	4.7	25%	0.2	71.1	1.71%	69

Points not taken in certified order.

BALDOR • RELIANCE	DR By:	<u>R & D</u>	AC MOTOR PERFORMANCE CURVES	36WGA0020 36-0000-3634 Test - 112234
	CK By:	<u>USGAHIL</u>		
	APP By:			
	Date:	<u>04/09/2025</u>		

Volts	190/380	Max RPM	3000	Conn Diag.	CD0005A25	Leads	9
Amps	13.6/6.8	Max Amps		Cs Diagram	CS0576	BEMF	105/210
KW	4	VFD #	ACS380-040S-09			LD	13.5/54.0
RPM	1500	S.F.	1.00			LQ	47.8/191.0
Phase/Hz	3/50	Rating	40C AMB-S1			Rs	3.3231 Meas L-L

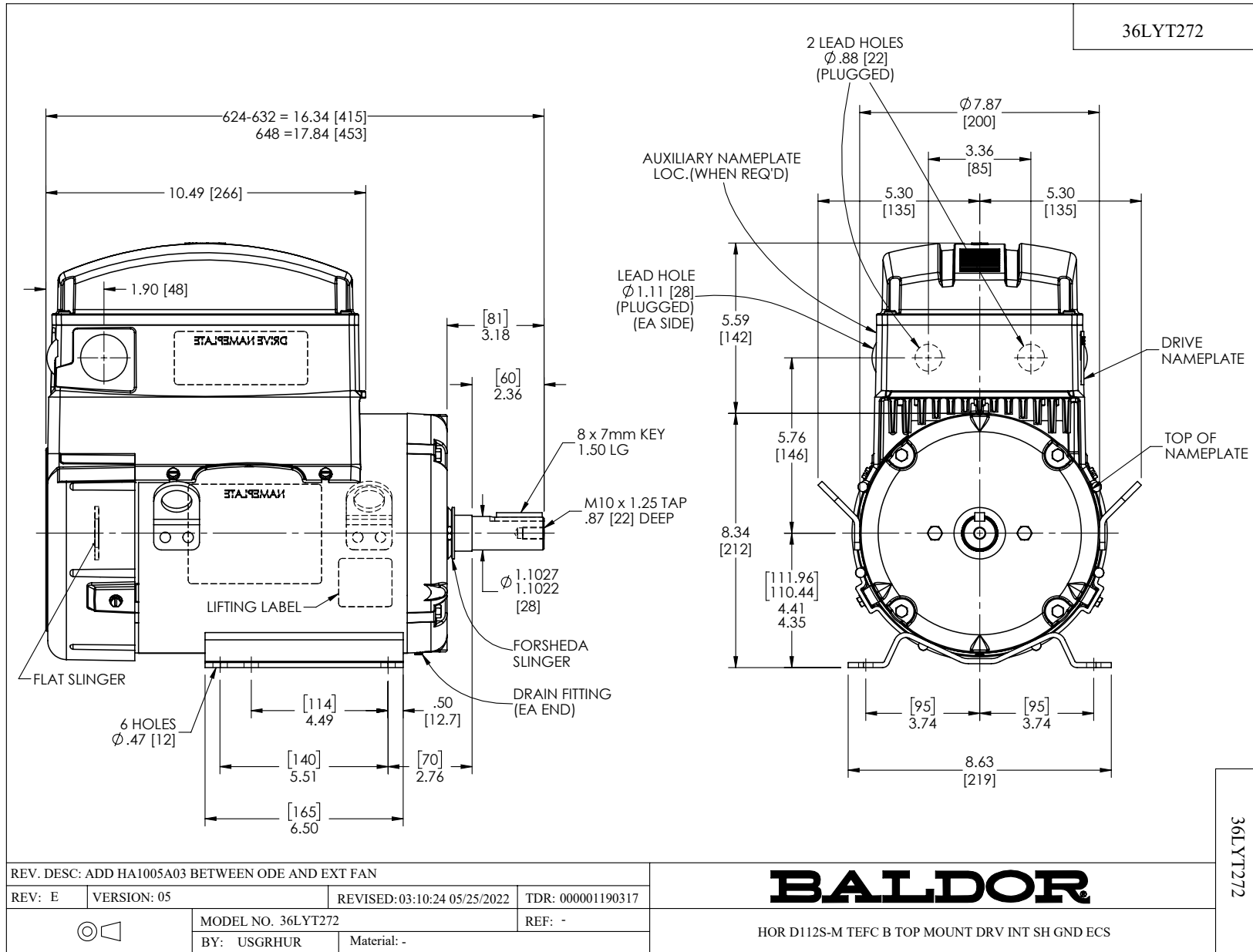
Constant Duty Operating Range



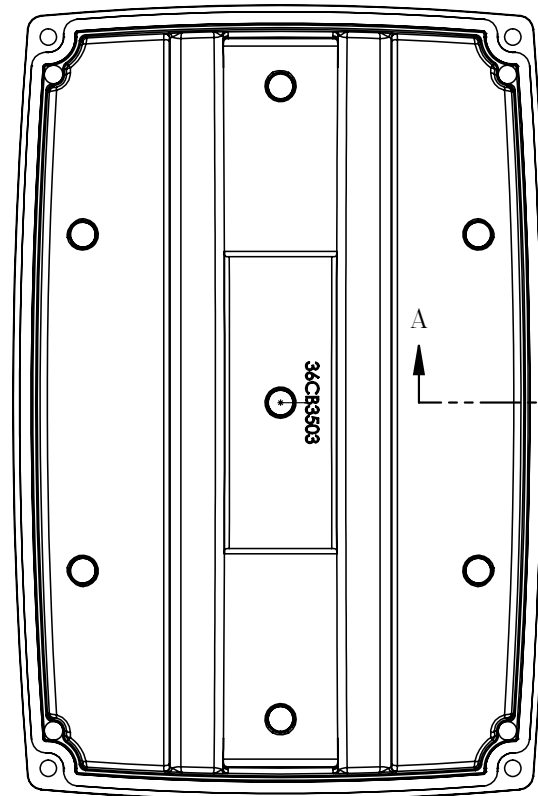
DR By: R & D
 CK By: USGAHIL
 APP By:
 Date: 04/09/2025

**AC MOTOR
PERFORMANCE
CURVES**

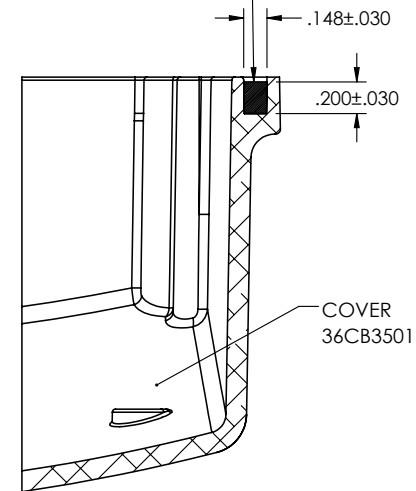
36WGA0020
 36-0000-3634
 Test - 112234



36CB3503A00



MATERIAL: RAMPF, RAKU-PUR 32-3280-51L



SECTION A-A

36CB3503A00

REV. DESC: NEW

REV: -	VERSION: 00	REVISED: 09:13:16 01/15/2020	TDR: 000001129989
--------	-------------	------------------------------	-------------------



MODEL NO. 36CB3503A00

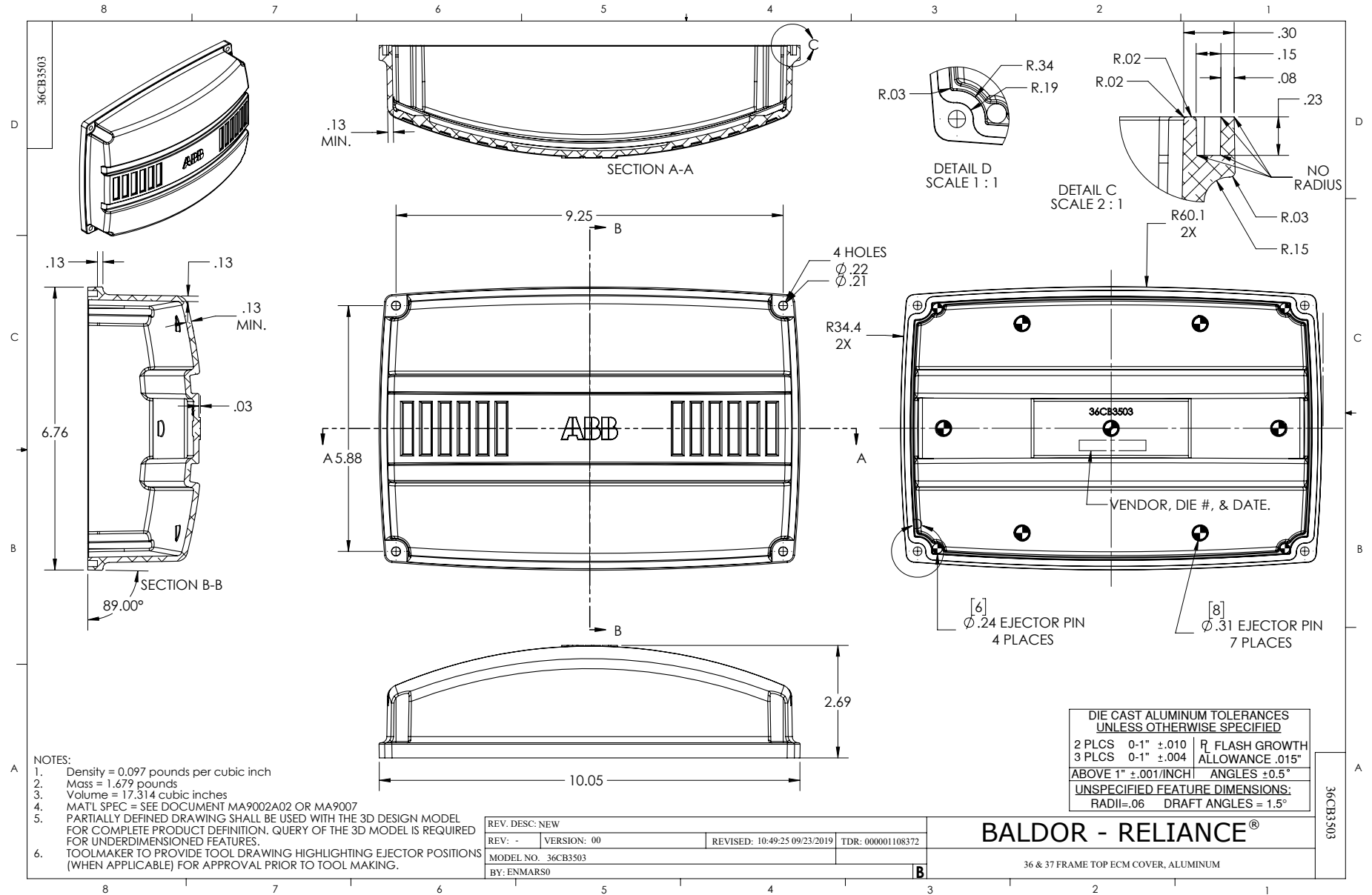
REF: -

BY: ENMARS0

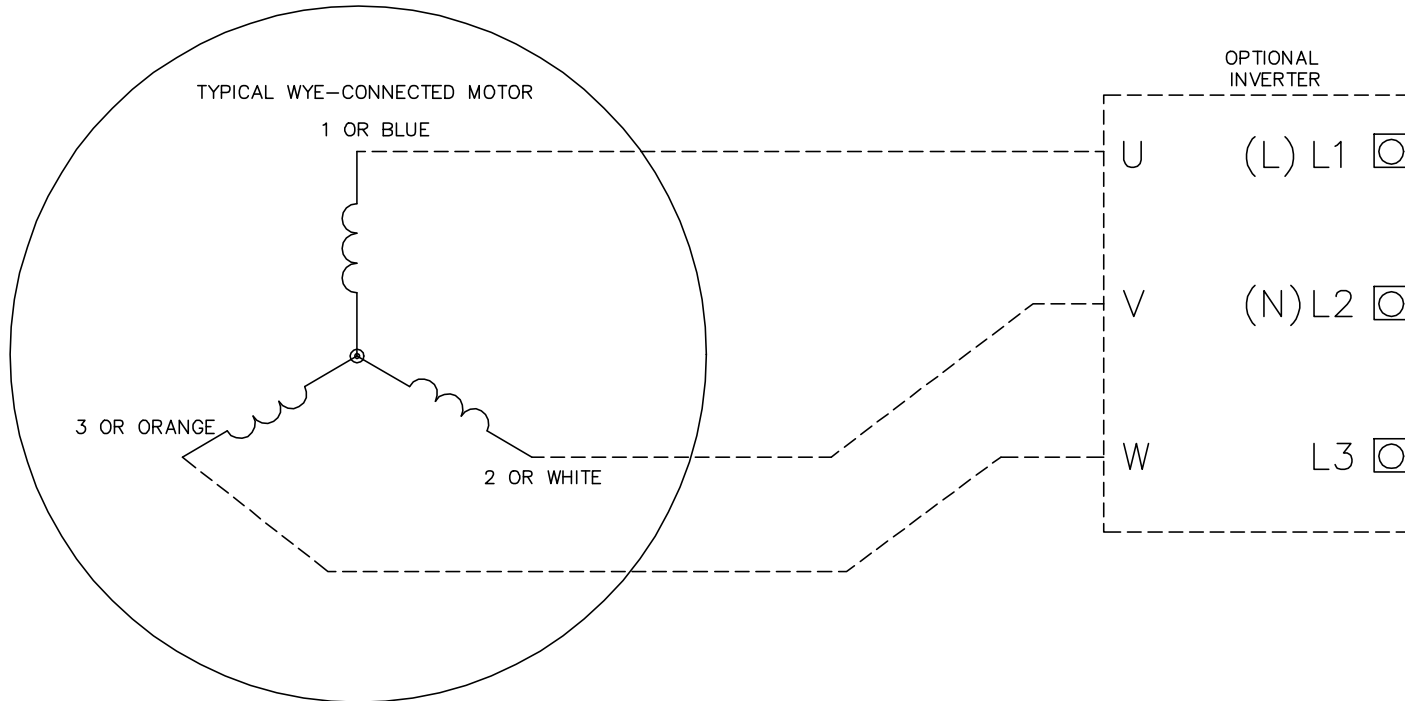
Material: -

BALDOR - RELIANCE®

36 & 37 FRAME TOP ECM ALUMINUM COVER WITH FOAM SEAL



CD0006B03



NOTES:

1. INTERCHANGE ANY TWO LINE LEADS TO REVERSE ROTATION.
2. ACTUAL NUMBER OF INTERNAL PARALLEL CIRCUITS MAY VARY.

CD0006B03

REV. DESC: CHANGE LEAD COLORS TO BLUE WHITE ORANGE		
REV. LTR: A	VERSION: 01	TDR: 000001158598
FILE: \AAA\00252\917	REVISED: 11:01:03 01/19/2021	BY: ENMARSO
MTL: -		© □

BALDOR - RELIANCE®

3PH, 3V, 3 LEADS, WYE CONNECTED, ECS

SH 1 of 1