



---

# Customer information packet

## ECS101T3K3ED4

3KW, 1500RPM, 3PH, 50HZ, D112D, 3632B, TEFC, B5

Class - None

Division - Not Applicable

## Specifications

Enclosure	TEFC
Frame	D112D
Frame Material	Steel
Frequency	50.00 Hz
Haz Area Class and Group	None
Haz Area Division	Not Applicable
Motor Letter Type	Brushless Wound Field PM Rotor
Output @ Frequency	3.000 KW @ 50 HZ
Phase	3
Synchronous Speed @ Frequency	1500 RPM @ 50 HZ
Voltage @ Frequency	380.0 V @ 50 HZ
Agency Approvals	WEEE UKCA CULUS CE BLUETOOTH
Ambient Temperature	40 °C
Auxillary Box	No Auxillary Box
Auxillary Box Lead Termination	None
Base Indicator	No Mounting
Bearing Grease Type	Polyrex EM (-20F +300F)
Blower	None
Constant Torque Speed Range	5
Current @ Voltage	5.300 A @ 380.0 V
Design Code	B
Drip Cover	No Drip Cover
Duty Rating	S1
Efficiency @ 100% Load	92.4 %
Electrically Isolated Bearing	Not Electrically Isolated
Feedback Device	NO FEEDBACK
Frame Prefix	D
Heater Indicator	No Heater

## Part detail

Revision	B
Type	AC
Mech. spec.	
Base	
Status	PRD/A
Elec. spec.	36WGA0022
Layout	36LYT523
Eff. date	05-08-2024
CD Diagram	CD0006B03
Poles	04
Leads	3#12 19" LONG LEADS
Proprietary	False
Created date	01-11-2023

High Voltage Full Load Amps	5.3 a
Insulation Class	F
Inverter Code	Inverter Duty
Lifting Lugs	Standard Lifting Lugs
Locked Bearing Indicator	Locked Bearing
Motor Lead Termination	Flying Leads
Motor Standards	IEC
Motor Type	3632B
Mounting Arrangement	B5
Number of Poles	4
Overall Length	18.08 IN
Power Factor	97
Product Family	General Purpose
Pulley Face Code	D-Flange
Rodent Screen	None
Service Factor	1.00
Shaft Diameter	1.103 IN
Shaft Ground Indicator	Shaft Grounding
Shaft Rotation	Reversible
Speed	1500 rpm
Speed Code	Single Speed
Starting Method	INVERTER SPECIAL
Thermal Device - Bearing	None
Thermal Device - Winding	None
Vibration Sensor Indicator	No Vibration Sensor
Winding Thermal 1	None
Winding Thermal 2	None

**Nameplate**

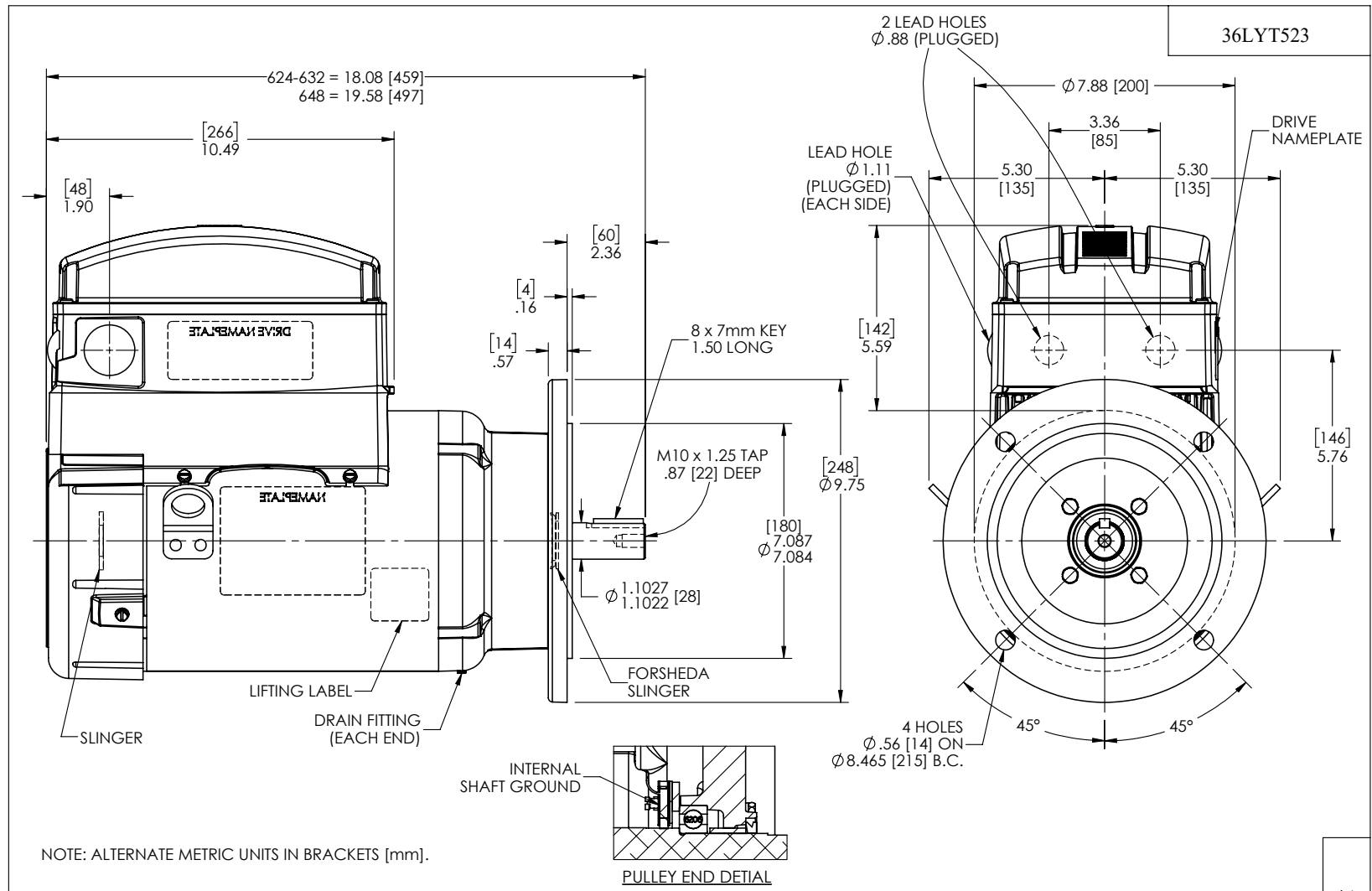
---

<b>NP3978A01</b>						
<b>PART NO.</b>	ECIN4A5P8					
<b>U1</b>	400	<b>PH</b>	3	<b>HZ</b>	50	
<b>I1</b>	8	<b>W/EXT. CHOKE</b>				6
<b>SERIAL #</b>						

---

**NP3968B01A01**

<b>CAT.NO.</b>	ECS101T3K3ED4						
<b>SPEC.</b>	36-0000-3647			<b>YR</b>			
<b>FRAME</b>	D112D	<b>IP</b>	55	<b>WT.</b>	97		
<b>KW</b>	3	<b>HZ</b>	50	<b>PH</b>	3	<b>DUTY-IPM</b>	S1
<b>INS CL</b>	F	<b>CLASS RISE</b>			<b>AMB-C</b>	40	
<b>EFF. CL</b>	IE5	<b>EFF</b>	92.4	<b>COS0</b>	97		
<b>VOLTS</b>	380		<b>FLA</b>	5.3			
<b>1/MIN</b>	1500		<b>1/MIN MAX</b>	3000			
<b>BEMF (V)</b>	210		<b>RS (OHMS)</b>	3.3			
<b>LD (MH)</b>	54		<b>LQ (MH)</b>	191			
<b>VPWM</b>	<b>CP =</b>	50	<b>TO</b>	100			
<b>CT</b>	5	<b>TO</b>	50	<b>VT</b>	1	<b>TO</b>	50
<b>MATCHED INV</b>	ECIN4A9P5						
<b>DE</b>	6206		<b>ODE</b>	6205			
<b>SERIAL #</b>							



CUSTOMER IS RESPONSIBLE FOR DETERMINING THAT ABB'S PRODUCT WILL PERFORM SUITABLY IN THE INTENDED APPLICATION.

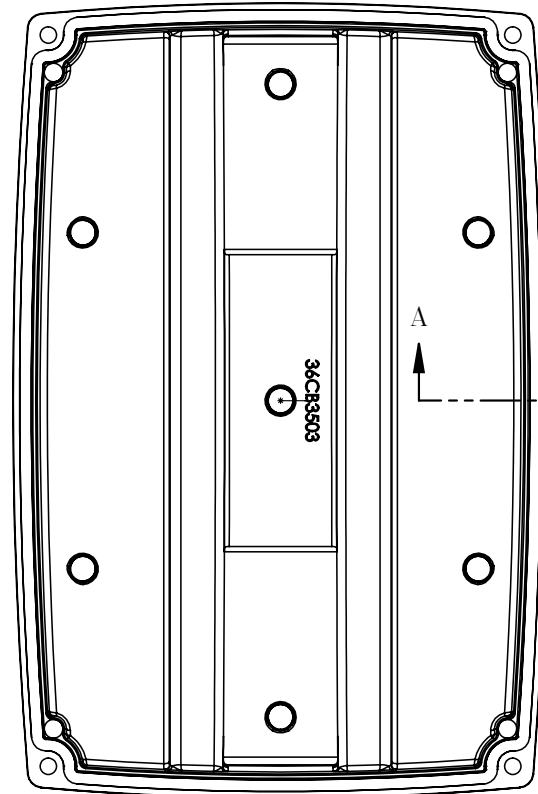
REV. DESC: NEW				
REV: -	VERSION: 00	BY: ENFRAJ0	REVISED: 04:24:12 01/19/2023	TDR: 000001201462
36LYT523		MODEL NO. 36LYT523	REF: -	
		Material: -		

**BALDOR - RELIANCE®**

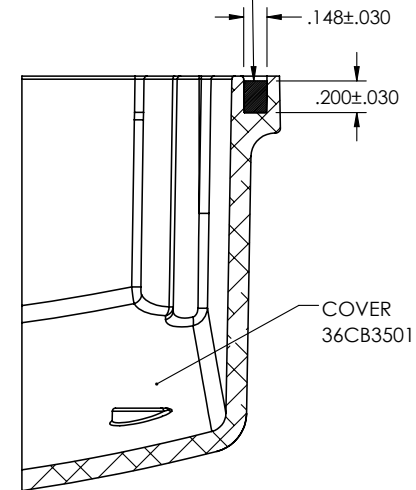
VER D112D B5 TEFC B TOP MOUNT DRV INT SH GND ECS

36LYT523

36CB3503A00



MATERIAL: RAMPF, RAKU-PUR 32-3280-51L



SECTION A-A

36CB3503A00

REV. DESC: NEW

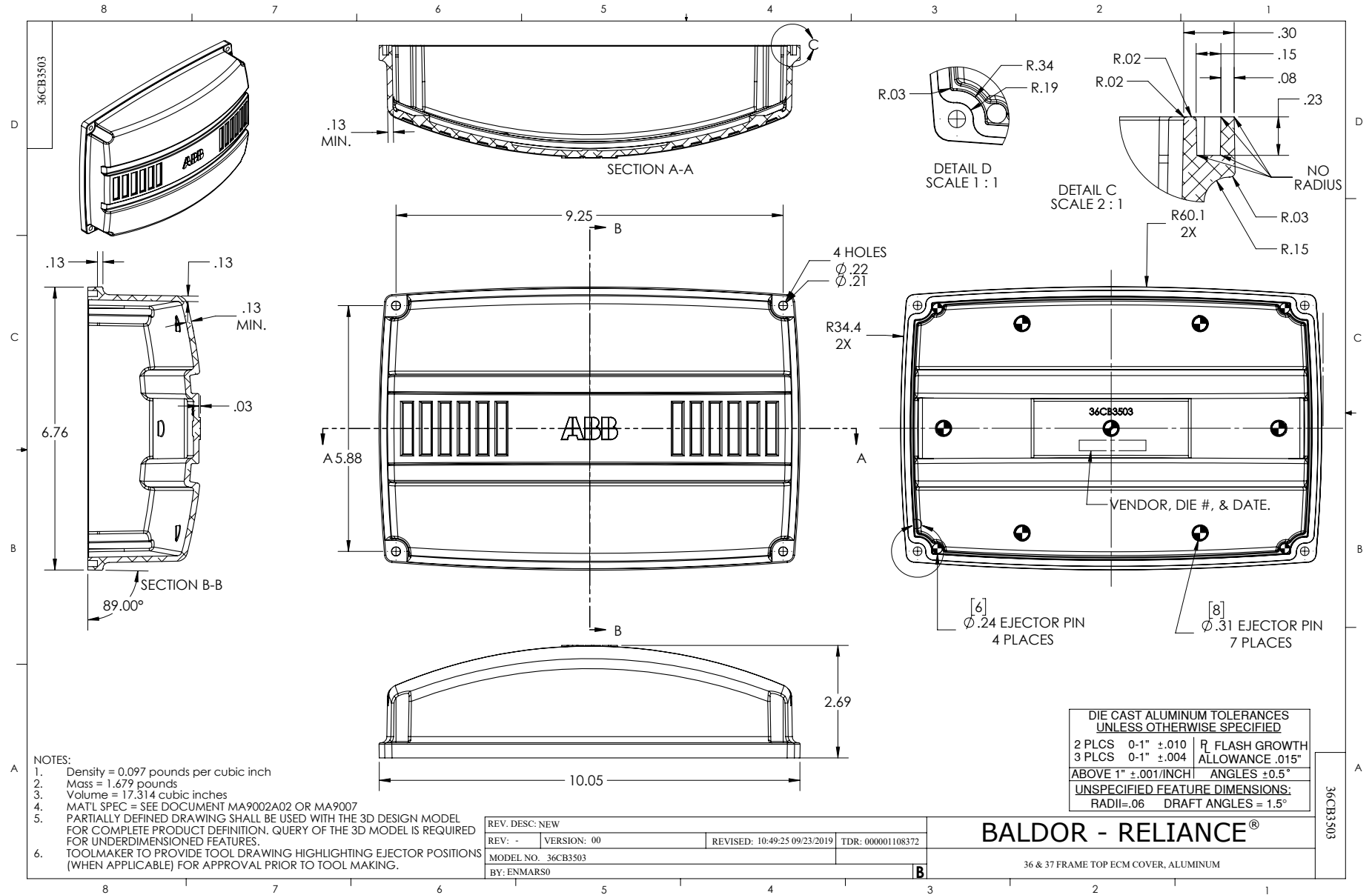
REV: -	VERSION: 00	REVISED: 09:13:16 01/15/2020	TDR: 000001129989
--------	-------------	------------------------------	-------------------



MODEL NO. 36CB3503A00	REF: -
BY: ENMARS0	Material: -

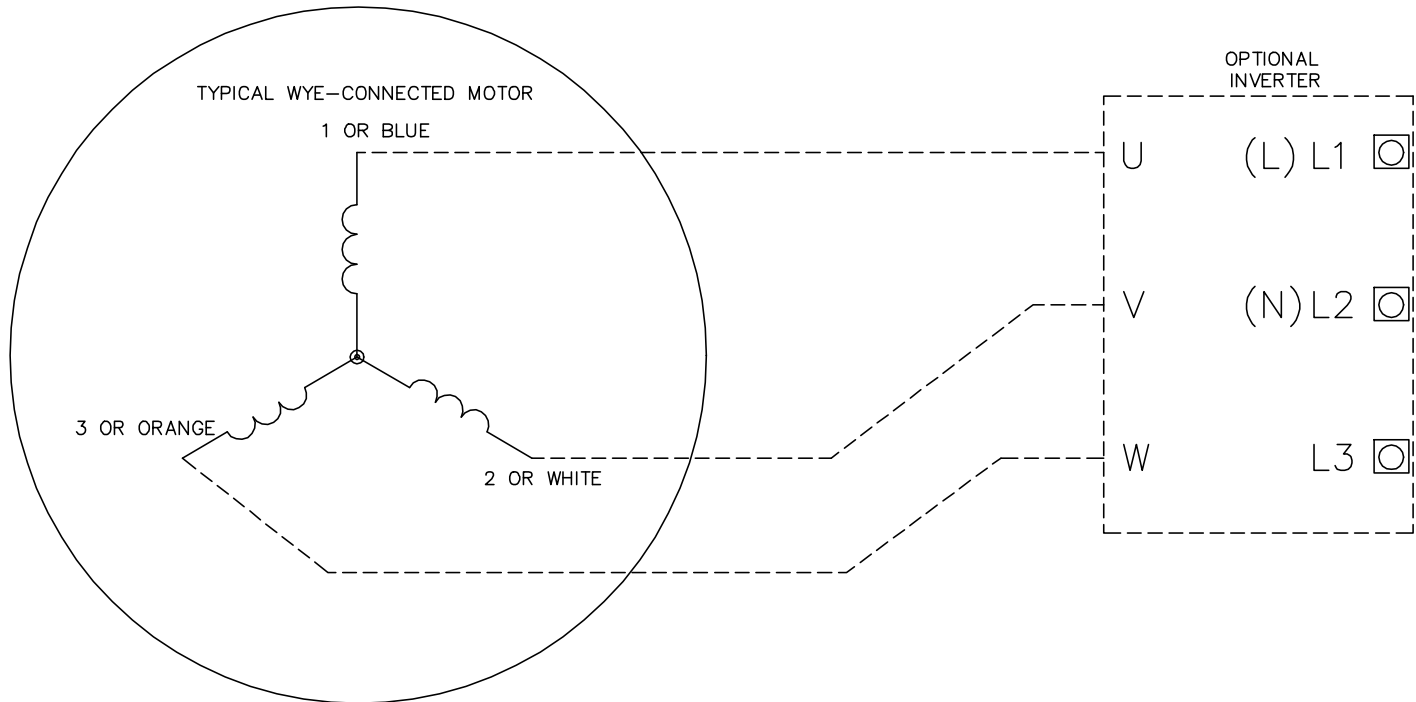
**BALDOR - RELIANCE®**

36 & 37 FRAME TOP ECM ALUMINUM COVER WITH FOAM SEAL





CD0006B03



**NOTES:**

1. INTERCHANGE ANY TWO LINE LEADS TO REVERSE ROTATION.
2. ACTUAL NUMBER OF INTERNAL PARALLEL CIRCUITS MAY VARY.

CD0006B03

REV. DESC: CHANGE LEAD COLORS TO BLUE WHITE ORANGE		
REV. LTR: A	VERSION: 01	TDR: 000001158598
FILE: \AAA\00252\917	REVISED: 11:01:03 01/19/2021	BY: ENMARSO
MTL: -	© □	

**BALDOR - RELIANCE®**

3PH, SV, 3 LEADS, WYE CONNECTED, ECS

SH 1 of 1