

BALDOR • RELIANCE

Customer information packet

ECS101T3K1P5DC4

1.5KW, 1500RPM, 3PH, 50HZ, D90C, 3520B, TEFC, F

Class - None

Division - Not Applicable

Copyright © All product information within this document is subject to ABB Motors and Mechanical Inc. copyright © protection, unless otherwise noted.

7/21/2024 9:32:25 PM

Specifications

Enclosure	TEFC
Frame	D90C
Frame Material	Steel
Frequency	50.00 Hz
Haz Area Class and Group	None
Haz Area Division	Not Applicable
Motor Letter Type	Three Phase
Output @ Frequency	1.500 KW @ 50 HZ
Phase	3
Synchronous Speed @ Frequency	1500 RPM @ 50 HZ
Voltage @ Frequency	380.0 V @ 50 HZ
Agency Approvals	BLUETOOTH CE CULUS WEEE
Ambient Temperature	40 °C
Auxillary Box	No Auxillary Box
Auxillary Box Lead Termination	None
Base Indicator	No Mounting
Bearing Grease Type	Polyrex EM (-20F +300F)
Blower	None
Constant Torque Speed Range	5
Current @ Voltage	2.600 A @ 380.0 V
Drip Cover	No Drip Cover
Duty Rating	S1
Efficiency @ 100% Load	89.1 %
Electrically Isolated Bearing	Not Electrically Isolated
Feedback Device	NO FEEDBACK
Frame Prefix	D
Heater Indicator	No Heater
High Voltage Full Load Amps	2.6 a
Insulation Class	F

Part detail

Revision	E
Type	AC
Mech. spec.	
Base	
Status	PRD/A
Elec. spec.	35WGA0047
Layout	35LY-000-678
Eff. date	05-07-2024
CD Diagram	CD0006B03
Poles	04
Leads	3#16 13" LONG LEADS
Proprietary	False
Created date	05-25-2022

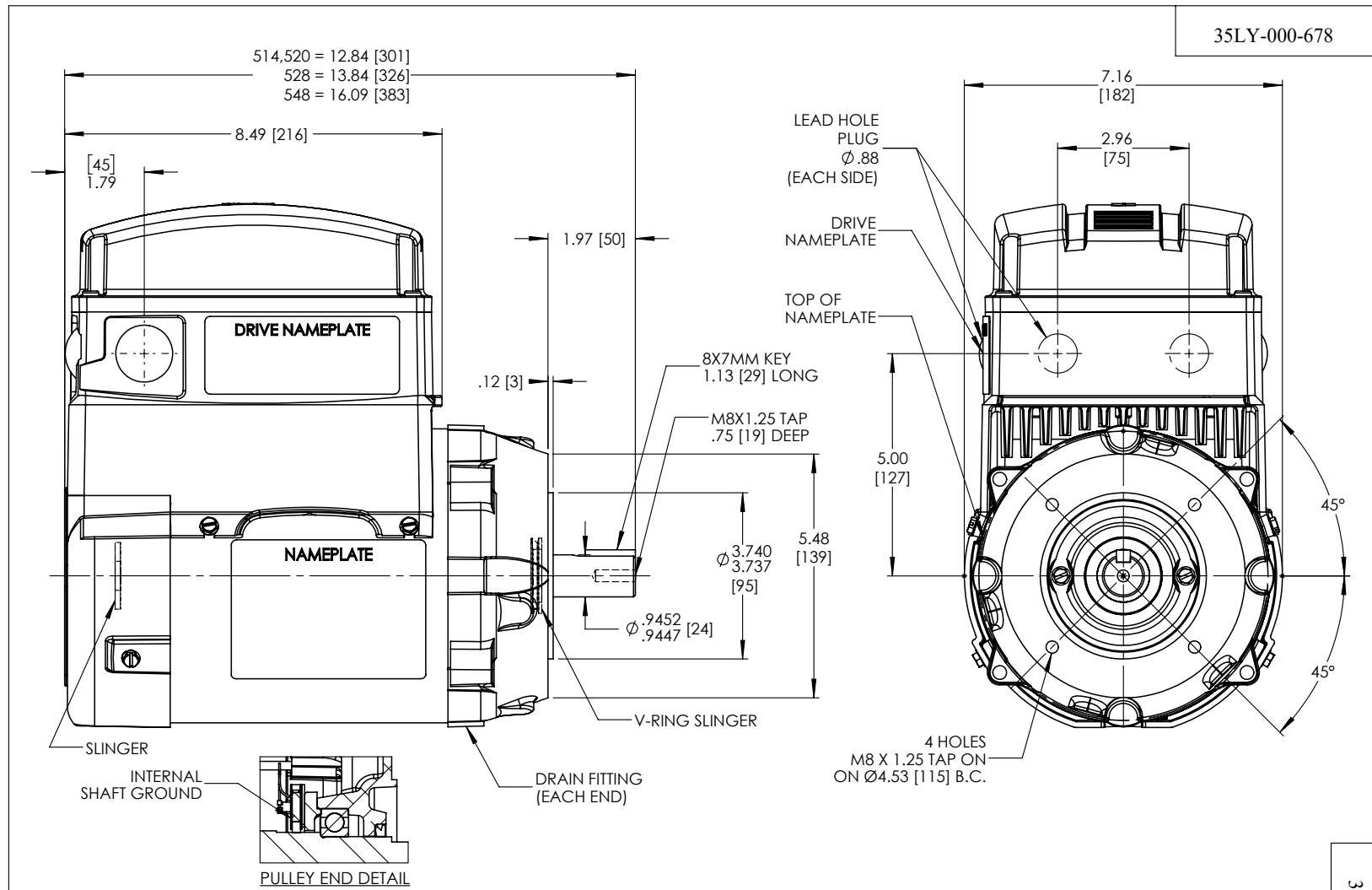
Inverter Code	Inverter Duty
Lifting Lugs	No Lifting Lugs
Locked Bearing Indicator	Locked Bearing
Motor Lead Termination	Flying Leads
Motor Standards	IEC
Motor Type	3520B
Mounting Arrangement	F1
Number of Poles	4
Overall Length	11.84 IN
Power Factor	96
Product Family	General Purpose
Pulley Face Code	C-Face
Rodent Screen	None
Service Factor	1.00
Shaft Diameter	0.945 IN
Shaft Ground Indicator	Shaft Grounding
Shaft Rotation	Reversible
Speed	1500 rpm
Speed Code	Single Speed
Starting Method	Direct on line
Thermal Device - Bearing	None
Thermal Device - Winding	None
Vibration Sensor Indicator	No Vibration Sensor
Winding Thermal 1	None
Winding Thermal 2	None

Nameplate

NP3978A01						
PART NO.	ECIN4A4P1					
U1	400	PH	3	HZ	50	
I1	3.2	W/EXT. CHOKE			2.7	
SERIAL #						

NP3968B01A01

CAT.NO.	ECS101T3K1P5DC4						
SPEC.	35-0000-1498			YR			
FRAME	D90C		IP	55	WT.	23	
KW	1.5	HZ	50	PH	3	DUTY-IPM	S1
INS CL	F	CLASS RISE		B	AMB-C		40
EFF. CL	IE5	EFF	89.1	COS0		96	
VOLTS	380	FLA		2.6			
1/MIN	1500	1/MIN MAX			3000		
BEMF (V)	186	RS (OHMS)			10.79		
LD (MH)	131	LQ (MH)			424		
VPWM	CP =	50	TO	100			
CT	5	TO	50	VT	1	TO	50
MATCHED INV	ECIN4A4P1						
DE	6206	ODE	6203				
SERIAL #							



35LY-000-678

35LY-000-678

NOTE: ALTERNATE METRIC UNITS IN BRACKETS [mm].

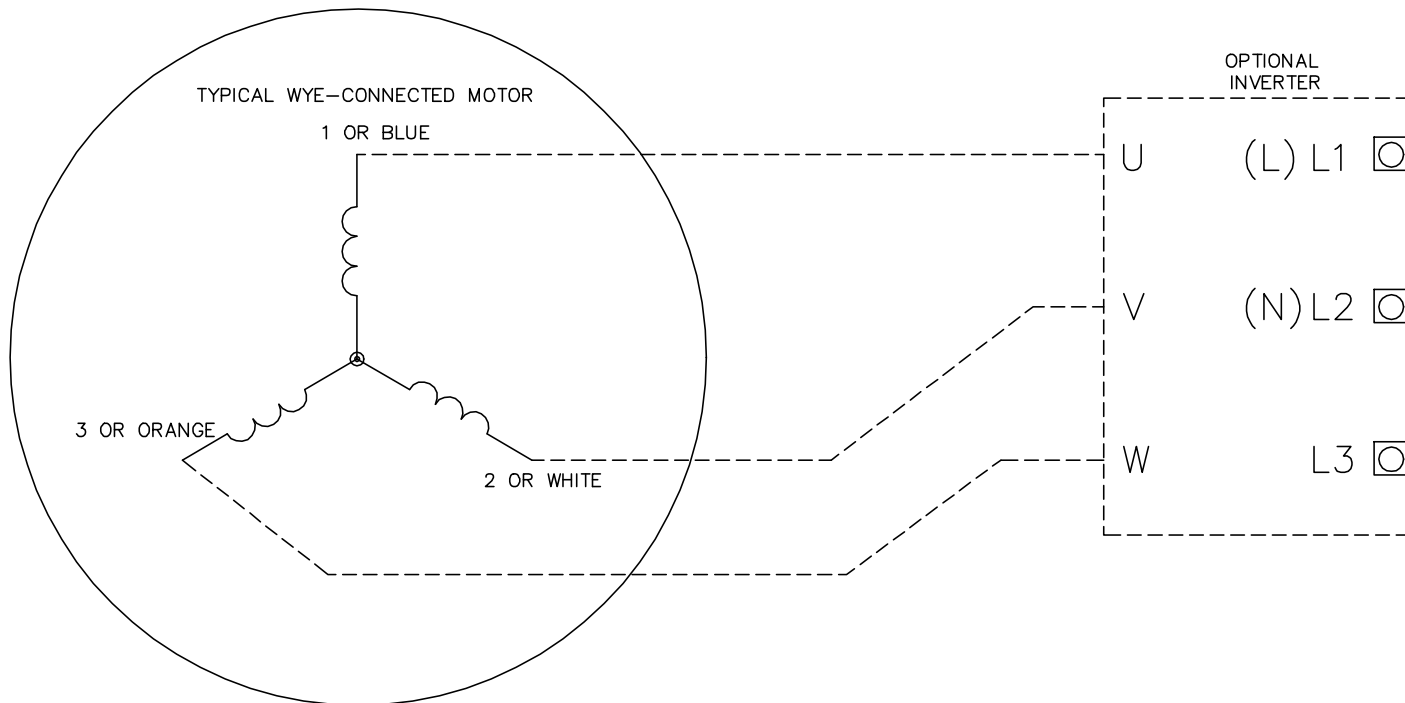
CUSTOMER IS RESPONSIBLE FOR DETERMINING THAT THE PRODUCT WILL PERFORM SUITABLY IN THE INTENDED APPLICATION

REV. DESC: UPDATE OVERALL C-DIMENSIONS			
REV: A	VERSION: 01	REVISED: 09:42:18 05/26/2023	TDR: 000001209848
8L9-000-λ1ε		MODEL NO. 35LY-000-678	REF: -
		BY: USGRHUR	

BALDOR - RELIANCE®

VER D90C TEFC 35B, TOP MOUNT DRV, INT SH GND, ECS

CD0006B03



NOTES:

1. INTERCHANGE ANY TWO LINE LEADS TO REVERSE ROTATION.
2. ACTUAL NUMBER OF INTERNAL PARALLEL CIRCUITS MAY VARY.

CD0006B03

REV. DESC: CHANGE LEAD COLORS TO BLUE WHITE ORANGE		
REV. LTR: A	VERSION: 01	TDR: 000001158598
FILE: \AAA\00252\917	REVISED: 11:01:03 01/19/2021	BY: ENMARSO
MTL: -	© □	

BALDOR - RELIANCE®

3PH, SV, 3 LEADS, WYE CONNECTED, ECS

SH 1 of 1