

BALDOR • RELIANCE

Customer information packet

ECS101T3K0P8DC4

0.75KW, 1500RPM, 3PH, 50HZ, D90C, 3514B, TEFC

Class - None

Division - Not Applicable

Specifications

Enclosure	TEFC
Frame	D90C
Frame Material	Steel
Frequency	50.00 Hz
Haz Area Class and Group	None
Haz Area Division	Not Applicable
Motor Letter Type	Three Phase
Output @ Frequency	.750 KW @ 50 HZ
Phase	3
Synchronous Speed @ Frequency	1500 RPM @ 50 HZ
Voltage @ Frequency	380.0 V @ 50 HZ
Agency Approvals	BLUETOOTH CE CULUS WEEE
Ambient Temperature	40 °C
Auxillary Box	No Auxillary Box
Auxillary Box Lead Termination	None
Base Indicator	No Mounting
Bearing Grease Type	Polyrex EM (-20F +300F)
Blower	None
Constant Torque Speed Range	5
Current @ Voltage	1.300 A @ 380.0 V
Drip Cover	No Drip Cover
Duty Rating	S1
Efficiency @ 100% Load	87.7 %
Electrically Isolated Bearing	Not Electrically Isolated
Feedback Device	NO FEEDBACK
Frame Prefix	D
Heater Indicator	No Heater
High Voltage Full Load Amps	1.3 a
Insulation Class	F

Part detail

Revision	F
Type	AC
Mech. spec.	
Base	
Status	PRD/A
Elec. spec.	35WGA0024
Layout	35LY-000-678
Eff. date	05-07-2024
CD Diagram	CD0006B03
Poles	04
Leads	3#18 13" LONG LEADS
Proprietary	False
Created date	05-19-2022

Inverter Code	Inverter Duty
Lifting Lugs	No Lifting Lugs
Locked Bearing Indicator	Locked Bearing
Motor Lead Termination	Flying Leads
Motor Standards	IEC
Motor Type	3514B
Mounting Arrangement	F1
Number of Poles	4
Overall Length	11.84 IN
Power Factor	97
Product Family	General Purpose
Pulley Face Code	C-Face
Rodent Screen	None
Service Factor	1.00
Shaft Diameter	0.945 IN
Shaft Ground Indicator	Shaft Grounding
Shaft Rotation	Reversible
Speed	1500 rpm
Speed Code	Single Speed
Starting Method	Direct on line
Thermal Device - Bearing	None
Thermal Device - Winding	None
Vibration Sensor Indicator	No Vibration Sensor
Winding Thermal 1	None
Winding Thermal 2	None

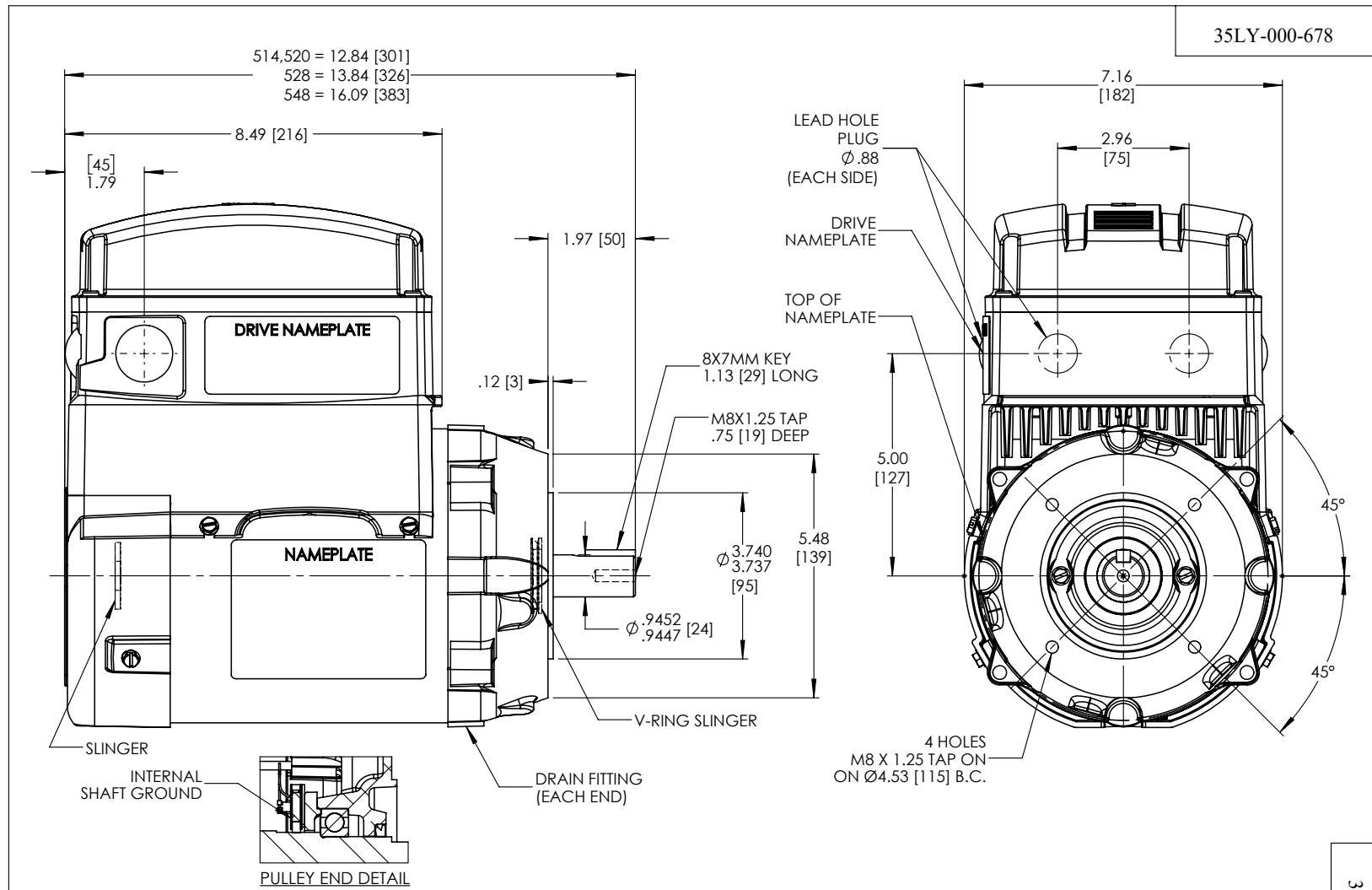
Nameplate

NP3968B01A01

CAT.NO.	ECS101T3K0P8DC4						
SPEC.	35-0000-1492			YR			
FRAME	D90C	IP	54	WT.	20		
KW	.75	HZ	50	PH	3	DUTY-IPM	S1
INS CL	F	CLASS RISE		B	AMB-C 40		
EFF. CL	IE5	EFF	87.7	COSϕ	97		
VOLTS	380		FLA	1.3			
1/MIN	1500			1/MIN MAX	3000		
BEMF (V)	207			RS (OHMS)	23.9		
LD (MH)	194			LQ (MH)	721		
VPWM	CP =	50	TO	100			
CT	5	TO	50	VT	1	TO	50
MATCHED INV	ECIN4A2P2						
DE	6206		ODE	6203			
SERIAL #							

NP3978A00

PART NO.	ECIN4A2P2				
U1	400	PH	3	HZ	50
I1	1.8	W/EXT. CHOKE			1.5
SERIAL #					



35LY-000-678

35LY-000-678

NOTE: ALTERNATE METRIC UNITS IN BRACKETS [mm].

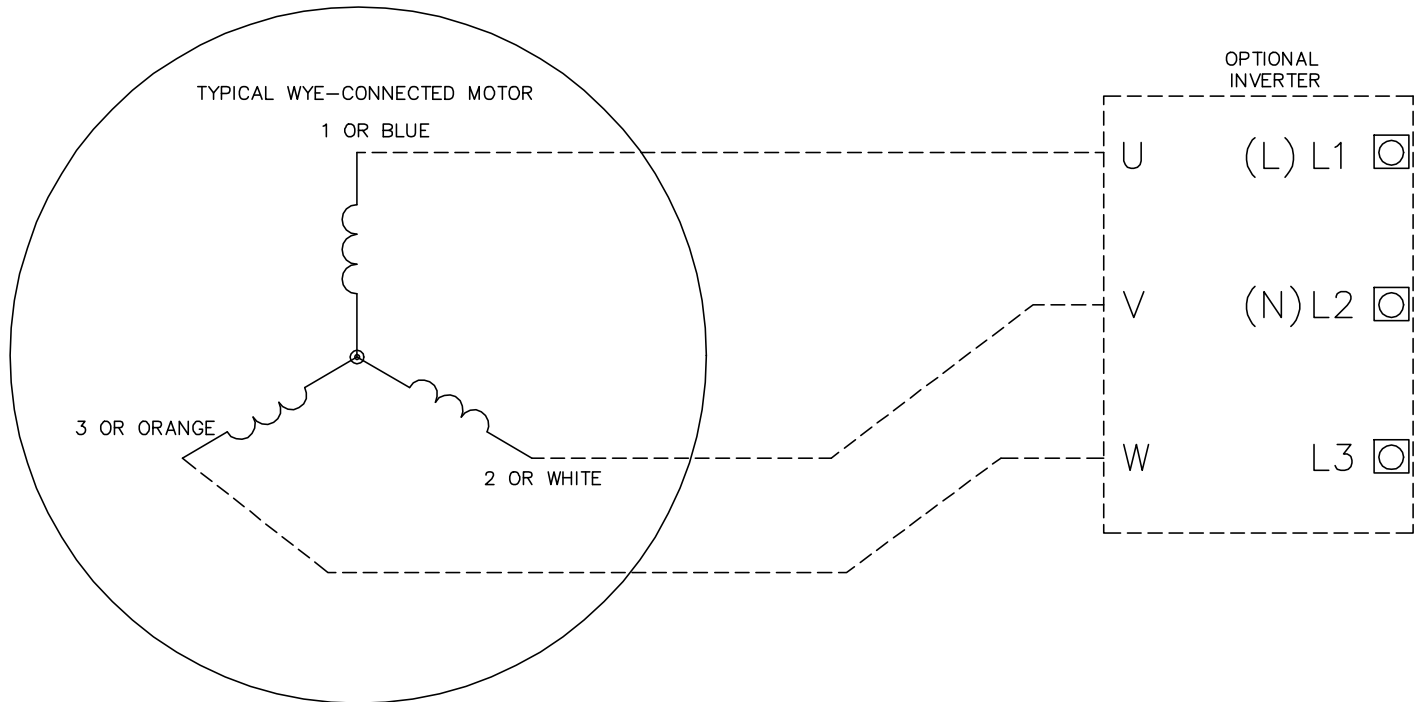
CUSTOMER IS RESPONSIBLE FOR DETERMINING THAT THE PRODUCT WILL PERFORM SUITABLY IN THE INTENDED APPLICATION

REV. DESC: UPDATE OVERALL C-DIMENSIONS			
REV: A	VERSION: 01	REVISED: 09:42:18 05/26/2023	TDR: 000001209848
8L9-000-λ15ε		MODEL NO. 35LY-000-678	REF: -
		BY: USGRHUR	

BALDOR - RELIANCE®

VER D90C TEFC 35B, TOP MOUNT DRV, INT SH GND, ECS

CD0006B03



NOTES:

1. INTERCHANGE ANY TWO LINE LEADS TO REVERSE ROTATION.
2. ACTUAL NUMBER OF INTERNAL PARALLEL CIRCUITS MAY VARY.

CD0006B03

REV. DESC: CHANGE LEAD COLORS TO BLUE WHITE ORANGE		
REV. LTR: A	VERSION: 01	TDR: 000001158598
FILE: \AAA\00252\917	REVISED: 11:01:03 01/19/2021	BY: ENMARSO
MTL: -	© □	

BALDOR - RELIANCE®

3PH, SV, 3 LEADS, WYE CONNECTED, ECS

SH 1 of 1