

**BALDOR • RELIANCE**

---

# Customer information packet

## ECS101T2K0P8DF4

0.75KW, 1500RPM, 3PH, 50HZ, D90S, 3514B, TEFC

Class - None

Division - Not Applicable

## Specifications

Enclosure	TEFC
Frame	D90S
Frame Material	Steel
Frequency	50.00 Hz
Haz Area Class and Group	None
Haz Area Division	Not Applicable
Motor Letter Type	Brushless Wound Field PM Rotor
Output @ Frequency	.750 KW @ 50 HZ
Phase	3
Synchronous Speed @ Frequency	1500 RPM @ 50 HZ
Voltage @ Frequency	230.0 V @ 50 HZ
Agency Approvals	BLUETOOTH CE CULUS UKCA WEEE
Ambient Temperature	40 °C
Auxillary Box	No Auxillary Box
Auxillary Box Lead Termination	None
Base Indicator	Rigid
Bearing Grease Type	Polyrex EM (-20F +300F)
Blower	None
Constant Torque Speed Range	5
Current @ Voltage	2.600 A @ 230.0 V
Drip Cover	No Drip Cover
Duty Rating	S1
Efficiency @ 100% Load	87.7 %
Electrically Isolated Bearing	Not Electrically Isolated
Feedback Device	NO FEEDBACK
Frame Prefix	D
Heater Indicator	No Heater
High Voltage Full Load Amps	2.6 a

## Part detail

Revision	C
Type	AC
Mech. spec.	
Base	
Status	PRD/A
Elec. spec.	35WGA0052
Layout	35LY-000-685
Eff. date	05-07-2024
CD Diagram	CD0006B03
Poles	04
Leads	3#16
Proprietary	False
Created date	01-04-2023

<b>Insulation Class</b>	F
<b>Inverter Code</b>	Inverter Duty
<b>Lifting Lugs</b>	No Lifting Lugs
<b>Locked Bearing Indicator</b>	Locked Bearing
<b>Motor Lead Termination</b>	Flying Leads
<b>Motor Standards</b>	IEC
<b>Motor Type</b>	3514B
<b>Mounting Arrangement</b>	B3
<b>Number of Poles</b>	4
<b>Overall Length</b>	12.37 IN
<b>Power Factor</b>	97
<b>Product Family</b>	General Purpose
<b>Pulley Face Code</b>	Standard
<b>Rodent Screen</b>	None
<b>RoHS Status</b>	ROHS COMPLIANT
<b>Service Factor</b>	1.00
<b>Shaft Diameter</b>	0.945 IN
<b>Shaft Ground Indicator</b>	Shaft Grounding
<b>Shaft Rotation</b>	Reversible
<b>Speed</b>	1500 rpm
<b>Speed Code</b>	Single Speed
<b>Starting Method</b>	INVERTER SPECIAL
<b>Thermal Device - Bearing</b>	None
<b>Thermal Device - Winding</b>	None
<b>Vibration Sensor Indicator</b>	No Vibration Sensor
<b>Winding Thermal 1</b>	None
<b>Winding Thermal 2</b>	None

**Nameplate**

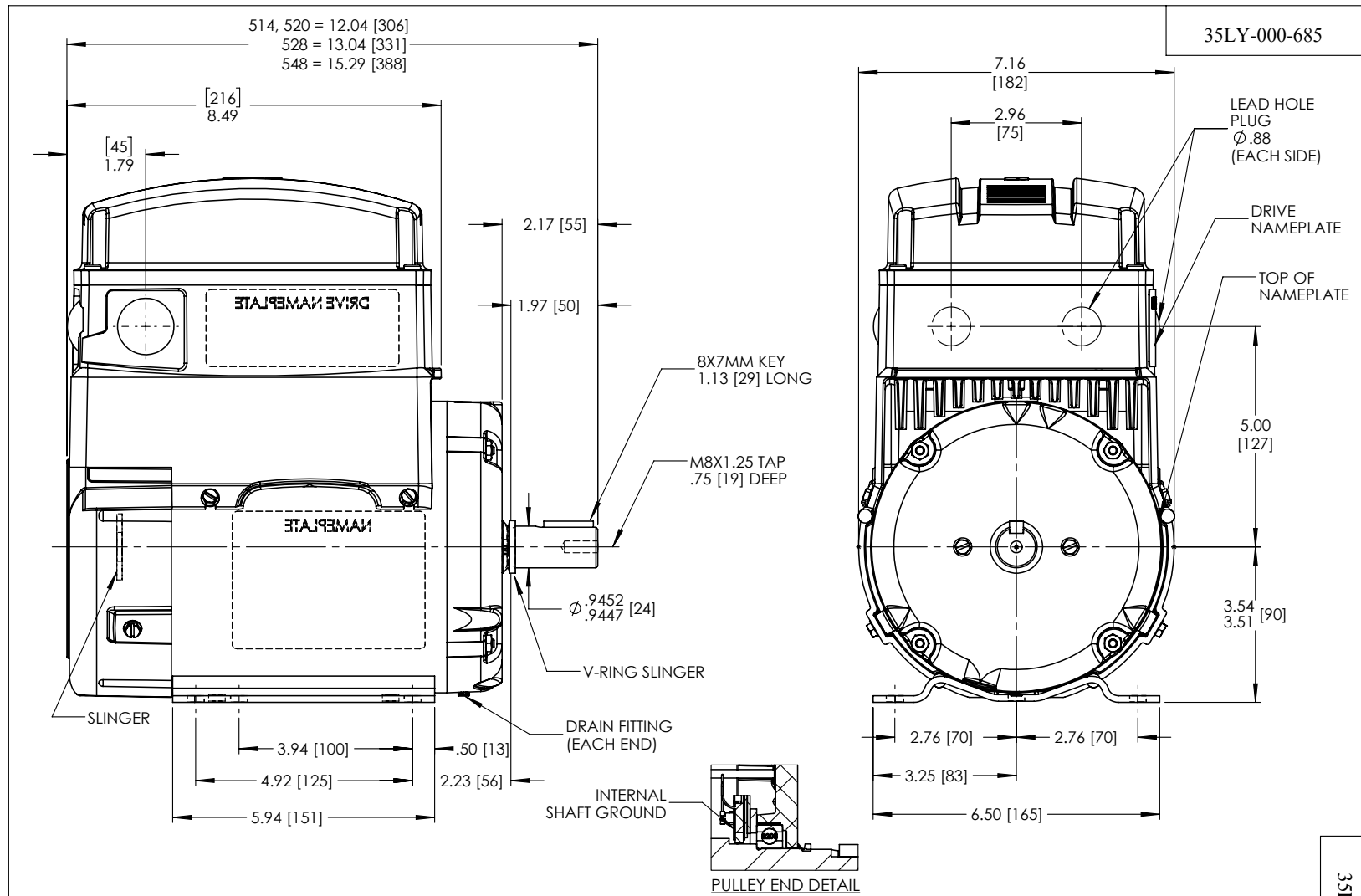
---

<b>NP3978A01</b>					
<b>PART NO.</b>	ECIN2A4P3				
<b>U1</b>	230	<b>PH</b>	3	<b>HZ</b>	50
<b>I1</b>	3.2	<b>W/EXT. CHOKE</b>			2.6
<b>SERIAL #</b>					

---

**NP3968B01A01**

<b>CAT.NO.</b>	ECS101T2K0P8DF4						
<b>SPEC.</b>	35-0000-1536		<b>YR</b>				
<b>FRAME</b>	D90S		<b>IP</b>	55	<b>WT.</b>	47	
<b>KW</b>	.75	<b>HZ</b>	50	<b>PH</b>	3	<b>DUTY-IPM</b>	S1
<b>INS CL</b>	F	<b>CLASS RISE</b>	B	<b>AMB-C</b>	40		
<b>EFF. CL</b>	IE5	<b>EFF</b>	87.7	<b>COS0</b>	97		
<b>VOLTS</b>	230	<b>FLA</b>	2.6				
<b>1/MIN</b>	1500	<b>1/MIN MAX</b>	3000				
<b>BEMF (V)</b>	103	<b>RS (OHMS)</b>	5.98				
<b>LD (MH)</b>	48.7	<b>LQ (MH)</b>	180				
<b>VPWM</b>	<b>CP =</b>	50	<b>TO</b>	100			
<b>CT</b>	5	<b>TO</b>	50	<b>VT</b>	1	<b>TO</b>	50
<b>MATCHED INV</b>	ECIN2A4P3						
<b>DE</b>	6205	<b>ODE</b>	6203				
<b>SERIAL #</b>							



NOTE: ALTERNATE METRIC UNITS IN BRACKETS [mm].

CUSTOMER IS RESPONSIBLE FOR DETERMINING THAT THE PRODUCT WILL PERFORM SUITABLY IN THE INTENDED APPLICATION

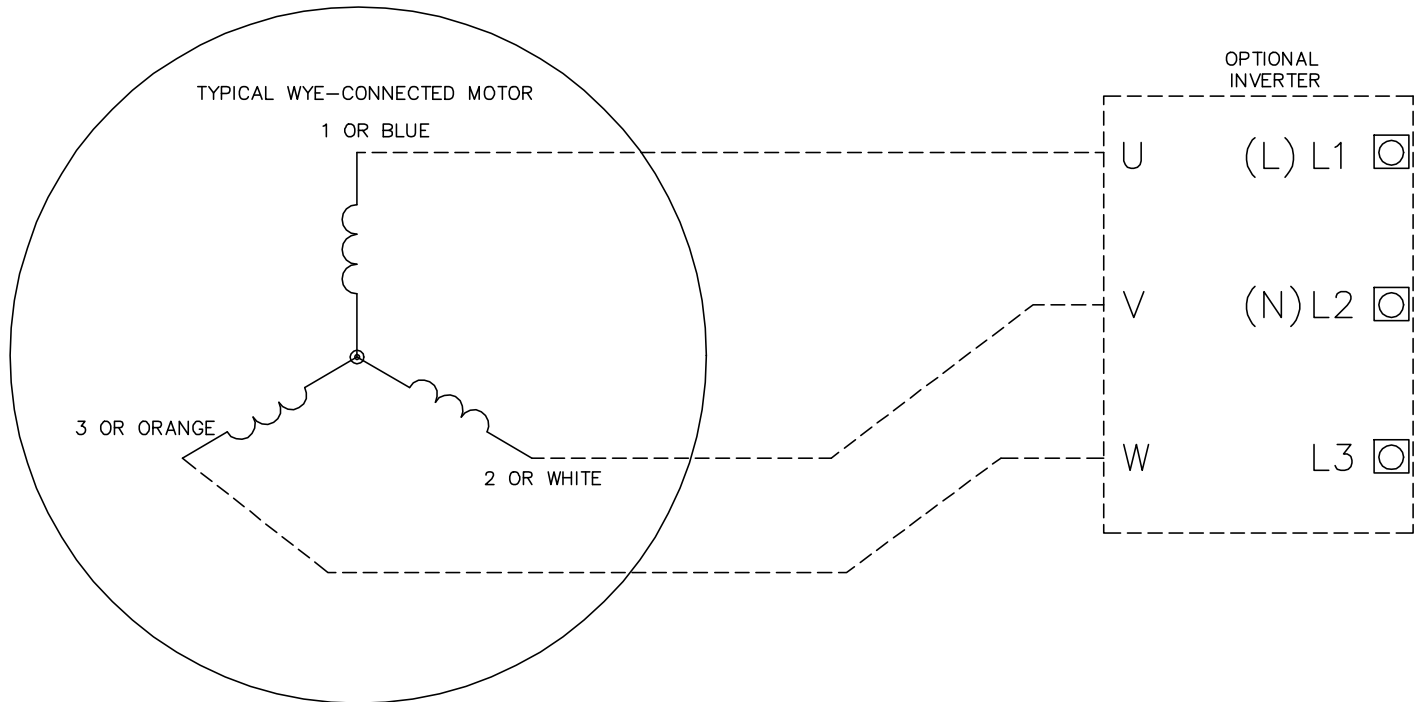
REV. DESC: DIMENSION UPDATES PER SHAFT CHANGES AND CLEAN UP			
REV: A	VERSION: 01	REVISED: 11:50:09 04/12/2023	TDR: 000001207215
MODEL NO. 35LY-000-685		REF: -	
BY: USGRHUR			

**BALDOR - RELIANCE®**

HORZ D90 TEFC 35B B3, TOP MOUNT DRV, INT SH GND, ECS

35LY-000-685

CD0006B03



**NOTES:**

1. INTERCHANGE ANY TWO LINE LEADS TO REVERSE ROTATION.
2. ACTUAL NUMBER OF INTERNAL PARALLEL CIRCUITS MAY VARY.

CD0006B03

REV. DESC: CHANGE LEAD COLORS TO BLUE WHITE ORANGE		
REV. LTR: A	VERSION: 01	TDR: 000001158598
FILE: \AAA\00252\917	REVISED: 11:01:03 01/19/2021	BY: ENMARSO
MTL: -	© □	

**BALDOR - RELIANCE®**

3PH, SV, 3 LEADS, WYE CONNECTED, ECS

SH 1 of 1