

ABB BALDOR RELIANCE III

Customer information packet

ECS101M4H20FF4

20HP, 1800RPM, 3PH, 60HZ, 215T, TEFC, N

Class - None

Division - Not Applicable

Specifications

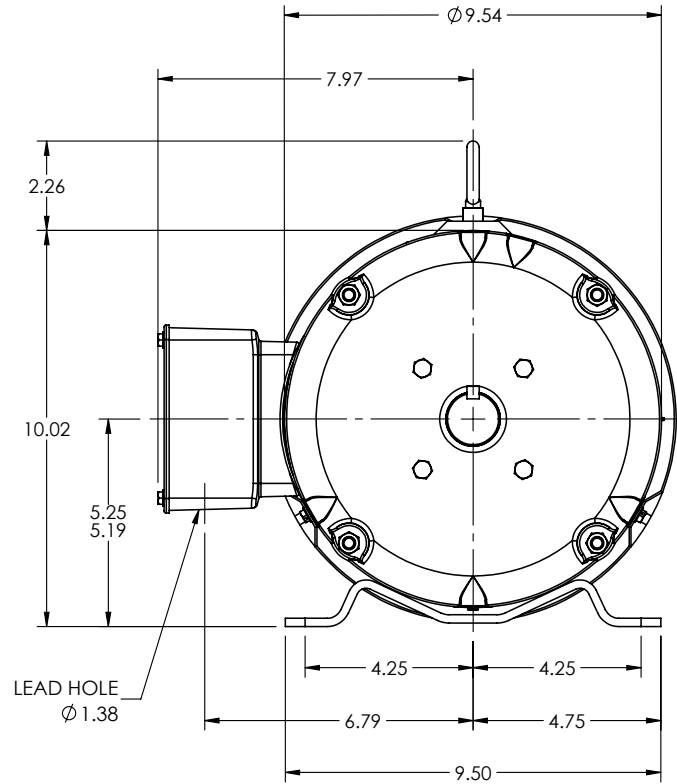
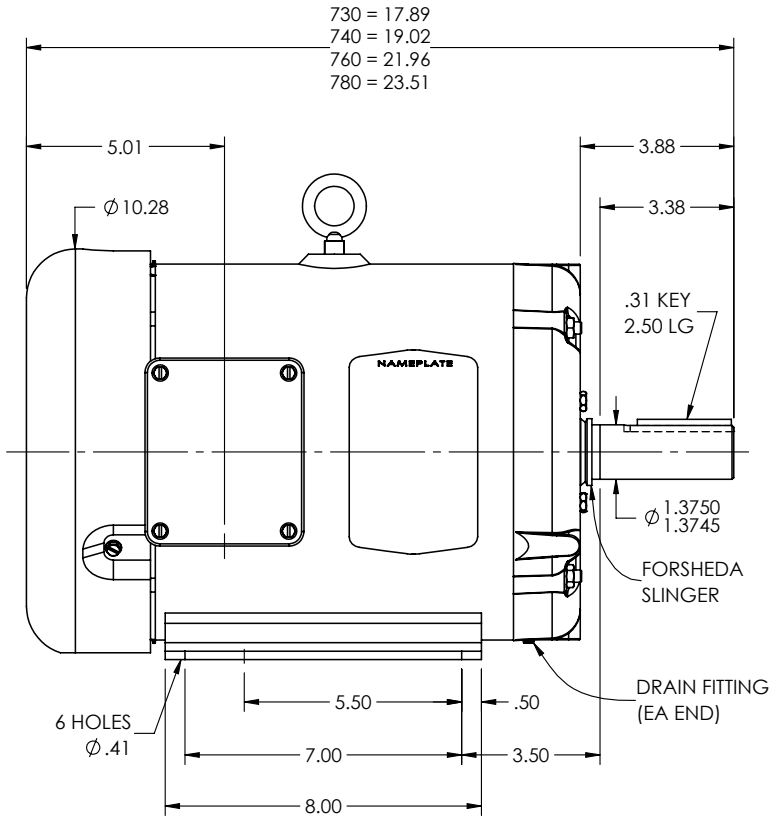
Enclosure	TEFC
Frame	215T
Frame Material	Steel
Frequency	60.00 Hz
Haz Area Class and Group	None
Haz Area Division	Not Applicable
Motor Letter Type	Three Phase
Phase	3
Agency Approvals	UL WEEE
Auxiliary Box	NO AUXILLARY BOX
Auxiliary Box Lead Termination	None
Base Indicator	Rigid
Bearing Grease Type	Polyrex EM (-20F +300F)
Blower	None
Constant Torque Speed Range	30
Design Code	B
Drip Cover	No Drip Cover
Electrically Isolated Bearing	Not Electrically Isolated
Feedback Device	NO FEEDBACK
Heater Indicator	No Heater
Inverter Code	Inverter Duty
IP Rating	NONE
Lifting Lugs	Standard Lifting Lugs
Locked Bearing Indicator	Locked Bearing
Motor Lead Quantity/Wire Size	3 @ 10 AWG
Motor Lead Termination	Flying Leads
Motor Standards	NEMA
Motor Type	3780B
Mounting Arrangement	F1
Number of Poles	4
Overall Length	23.51 IN

Part Detail

Revision	S
Type	AC
Mech. spec.	37Q435
Base	
Status	PRD/A
Elec. spec.	37WGL003
Layout	37LYQ435
Eff. date	03-03-2026
CD Diagram	CD0006
Poles	04
Leads	3#10
Proprietary	False
Created date	07-15-2019

Product Family	General Purpose
Pulley Face Code	Standard
Rodent Screen	None
RoHS Status	ROHS COMPLIANT
Shaft Diameter	1.375 IN
Shaft Ground Indicator	Shaft Grounding
Shaft Rotation	Reversible
Speed Code	Single Speed
Starting Method	INVERTER SPECIAL
Thermal Device - Bearing	None
Thermal Device - Winding	None
Vibration Sensor Indicator	No Vibration Sensor
Winding Thermal 1	None
Winding Thermal 2	None

37LYQ435



REV. DESC: CHG'D TO 37GS1000, 37GS1008

REV: J	VERSION: 09	REVISED: 09:27:18 06/05/2025	TDR: 000001256072
--------	-------------	------------------------------	-------------------

37LYQ435

MODEL NO. 37LYQ435
BY: USEROLI

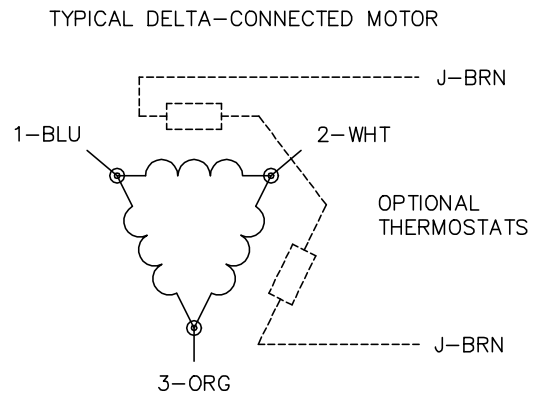
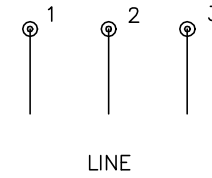
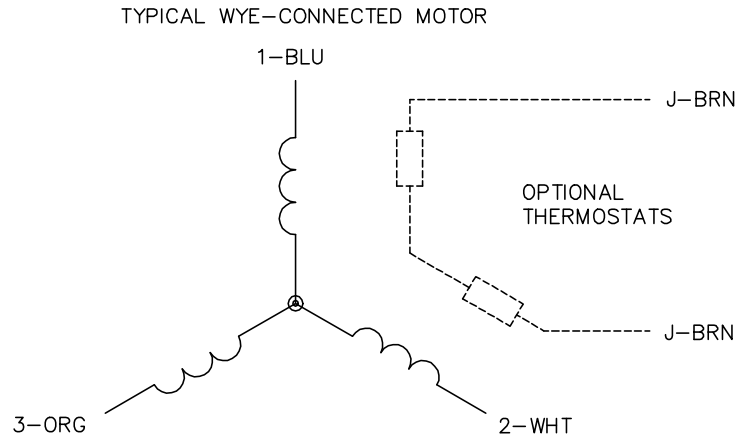
REF: -

BALDOR - RELIANCE®

HOR 213-5T TEFC B INT SH GND ECS

37LYQ435

CD0006



NOTES:

1. THREE LEAD MOTOR MAY BE EITHER WYE CONNECTED OR DELTA CONNECTED.
2. INTERCHANGE ANY TWO LINE LEADS TO REVERSE ROTATION.
3. OPTIONAL THERMOSTATS ARE PROVIDED WHEN SPECIFIED.
4. ACTUAL NUMBER OF INTERNAL PARALLEL CIRCUITS MAY VARY.
5. LEAD COLORS ARE OPTIONAL. LEADS MUST BE NUMBERED AS SHOWN.

CD0006

REV. DESC: ADD CLASS CONN00000007		
REV. LTR: E	VERSION: 01	TDR: 000001099922
FILE: \AAA\00005\141	REVISED: 10:24:49 02/19/2019	BY: ENBRIRO
MTL: -	© □	

BALDOR - RELIANCE®

3PH, SV, 3 LEADS, WYE OR DELTA CONNECTED

SH 1 of 1