

ABB BALDOR RELIANCE III

Customer information packet

ECS101M0K2P2DC4

2.2KW, 1800RPM, 3PH, 50HZ, D90C, 3532B, TEFC, B

Class - None

Division - Not Applicable

Specifications

Enclosure	TEFC
Frame	D90C
Frame Material	Steel
Frequency	50.00 Hz
Haz Area Class and Group	None
Haz Area Division	Not Applicable
Motor Letter Type	Brushless Wound Field PM Rotor
Output @ Frequency	2.200 KW @ 50 HZ
Phase	3
Synchronous Speed @ Frequency	1800 RPM @ 50 HZ
Voltage @ Frequency	380.0 V @ 50 HZ 190.0 V @ 50 HZ
Agency Approvals	CE CULUS UKCA WEEE
Ambient Temperature	40 °C
Auxiliary Box	NO AUXILLARY BOX
Auxiliary Box Lead Termination	None
Base Indicator	No Mounting
Bearing Grease Type	Polyrex EM (-20F +300F)
Blower	None
Constant Torque Speed Range	5
Current @ Voltage	7.100 A @ 190.0 V 3.550 A @ 380.0 V
Design Code	-
Drip Cover	No Drip Cover
Duty Rating	CONT
Efficiency @ 100% Load	91.8 %
Electrically Isolated Bearing	Not Electrically Isolated
Feedback Device	NO FEEDBACK
Frame Prefix	D

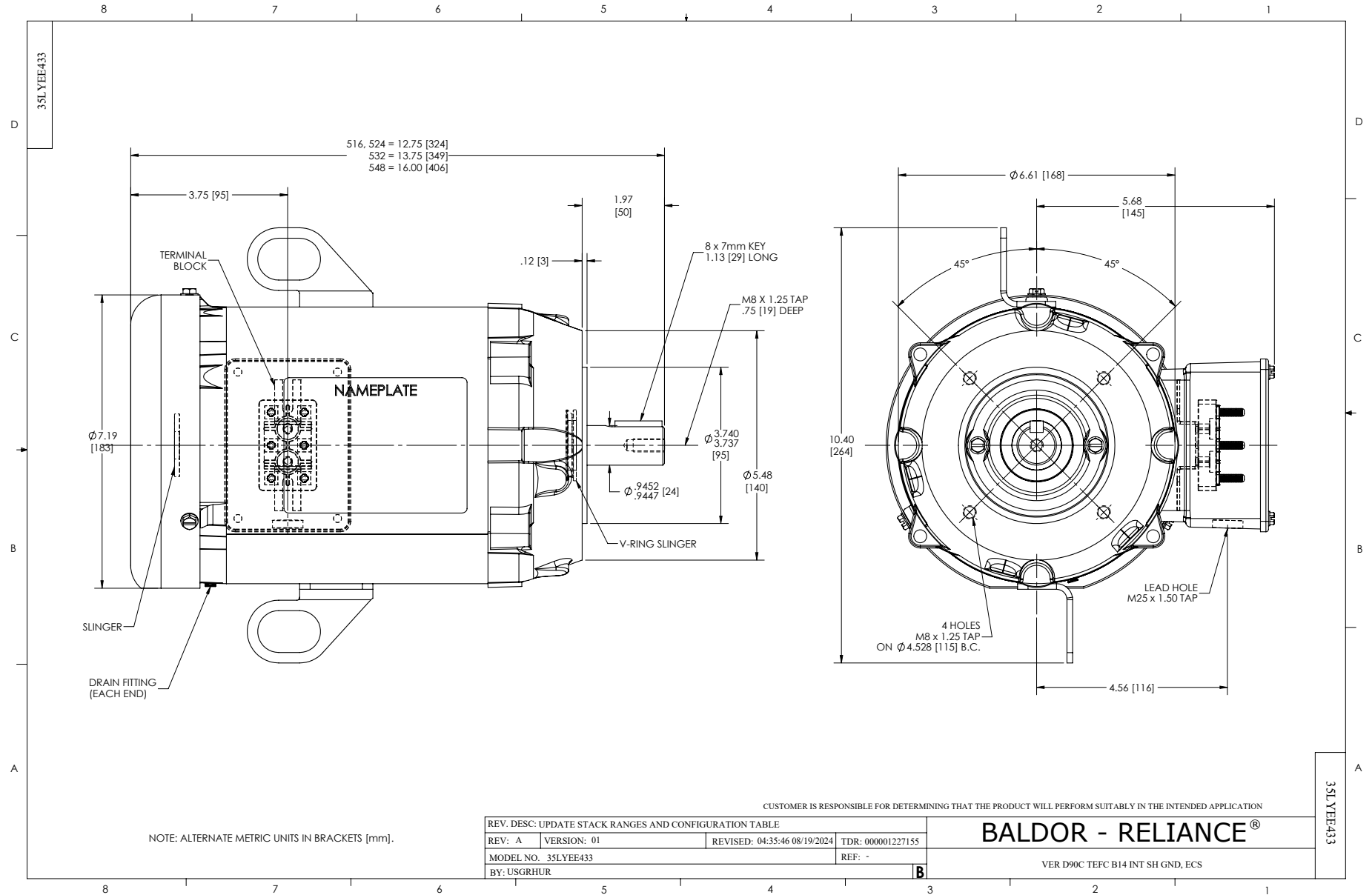
Part Detail

Revision	E
Type	AC
Mech. spec.	35EE433
Base	
Status	PRD/A
Elec. spec.	35WGG984
Layout	35LYEE433
Eff. date	02-12-2026
CD Diagram	CD0005A25
Poles	04
Leads	9#16 Y
Proprietary	False
Created date	03-21-2024

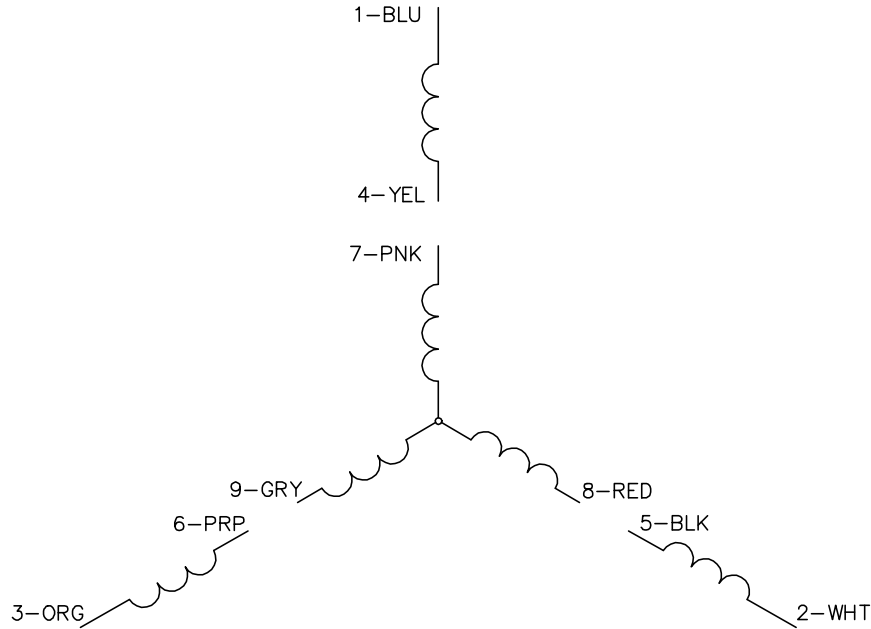
Heater Indicator	No Heater
High Voltage Full Load Amps	3.6 a
Insulation Class	F
Inverter Code	Inverter Duty
KVA Code	-
Lifting Lugs	No Lifting Lugs
Locked Bearing Indicator	Locked Bearing
Motor Lead Quantity/Wire Size	9 @ 116 AWG
Motor Lead Termination	Terminal Block
Motor Standards	IEC
Motor Type	3532B
Mounting Arrangement	B14
Number of Poles	4
Overall Length	14.63 IN
Power Factor	99
Product Family	General Purpose
Pulley Face Code	C-Face
Rodent Screen	None
RoHS Status	Y
Service Factor	1.15
Shaft Diameter	0.945 IN
Shaft Ground Indicator	Shaft Grounding
Shaft Rotation	Reversible
Speed	1800 rpm
Speed Code	Single Speed
Starting Method	Direct on line
Thermal Device - Bearing	None
Thermal Device - Winding	None
Vibration Sensor Indicator	No Vibration Sensor
Winding Thermal 1	None
Winding Thermal 2	None

Nameplate

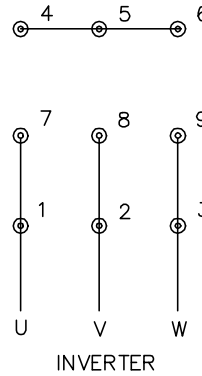
NP3968B01A01									
CAT.NO.	ECS101M0K2P2DC4								
SPEC.	35EE433G984			YR					
FRAME	D90C		IP	55	WT.	55			
KW	2.2	HZ	50	PH	3	DUTY-IPM	CONT		
INS CL	F	CLASS RISE				AMB-C	40		
EFF. CL	IE5	EFF	91.8	COSφ	99				
VOLTS	190/380	FLA	7.1/3.55						
1/MIN	1500	1/MIN MAX	3000						
BEMF (V)	222	RS (OHMS)	6.72/1.68						
LD (MH)	13/52	LQ (MH)	45.8/183						
VPWM	CP =	50	TO	100					
CT	5	TO	50	VT	5	TO	50		
MATCHED INV	ACS380-04xx-12A7-1 / 06A3-4								
DE	6206	ODE	6203						
SERIAL #									



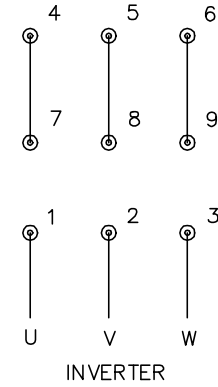
CD0005A25



LOW VOLTAGE
(2Y)



HIGH VOLTAGE
(1Y)



NOTES:

1. INTERCHANGE ANY TWO LINE LEADS TO REVERSE ROTATION.
2. ACTUAL NUMBER OF INTERNAL PARALLEL CIRCUITS MAY BE A MULTIPLE OF THOSE SHOWN ABOVE.
3. LEAD COLORS ARE OPTIONAL. LEADS MUST ALWAYS BE NUMBERED AS SHOWN.

CD0005A25

REV. DESC: NEW		
REV. LTR: -	VERSION: 00	TDR: 000001135746
FILE: \AAA\00253\082	REVISED: 01:10:57 03/30/2020	BY: ENMARSO
MTL: -	© □	

BALDOR - RELIANCE®

3PH, DV, 9 LEADS, ECS
SH 1 of 1