

ABB BALDOR RELIANCE III

Customer information packet

ECS101M0K1P5DF4

1.5KW, 1500RPM, 3PH, 50HZ, D90S, 3524B, TEFC, B

Class - None

Division - Not Applicable

Specifications

Enclosure	TEFC
Frame	D90S
Frame Material	Steel
Frequency	50.00 Hz
Haz Area Class and Group	None
Haz Area Division	Not Applicable
Motor Letter Type	Brushless Wound Field PM Rotor
Output @ Frequency	1.500 KW @ 50 HZ
Phase	3
Synchronous Speed @ Frequency	1500 RPM @ 50 HZ
Voltage @ Frequency	380.0 V @ 50 HZ 190.0 V @ 50 HZ
Agency Approvals	CE CULUS UKCA WEEE
Ambient Temperature	40 °C
Auxiliary Box	NO AUXILLARY BOX
Auxiliary Box Lead Termination	None
Base Indicator	Rigid
Bearing Grease Type	Polyrex EM (-20F +300F)
Blower	None
Constant Torque Speed Range	5
Current @ Voltage	5.200 A @ 190.0 V 2.360 A @ 380.0 V
Design Code	B
Drip Cover	No Drip Cover
Duty Rating	CONT
Efficiency @ 100% Load	88.8 %
Electrically Isolated Bearing	Not Electrically Isolated
Feedback Device	NO FEEDBACK
Frame Prefix	D

Part Detail

Revision	C
Type	AC
Mech. spec.	35EE431
Base	
Status	PRD/A
Elec. spec.	35WGG983
Layout	35LYEE431
Eff. date	02-12-2026
CD Diagram	CD0005A25
Poles	04
Leads	9#16 Y
Proprietary	False
Created date	03-18-2024

Heater Indicator	No Heater
High Voltage Full Load Amps	2.4 a
Insulation Class	F
Inverter Code	Inverter Duty
KVA Code	N
Lifting Lugs	No Lifting Lugs
Locked Bearing Indicator	Locked Bearing
Motor Lead Quantity/Wire Size	9 @ 16 AWG
Motor Lead Termination	Terminal Block
Motor Standards	IEC
Motor Type	3524B
Mounting Arrangement	B3
Number of Poles	4
Overall Length	12.95 IN
Power Factor	99
Product Family	General Purpose
Pulley Face Code	Standard
Rodent Screen	None
RoHS Status	Y
Service Factor	1.00
Shaft Diameter	0.945 IN
Shaft Ground Indicator	Shaft Grounding
Shaft Rotation	Reversible
Speed	1500 rpm
Speed Code	Single Speed
Starting Method	Direct on line
Thermal Device - Bearing	None
Thermal Device - Winding	None
Vibration Sensor Indicator	No Vibration Sensor
Winding Thermal 1	None
Winding Thermal 2	None

Nameplate

NP3968B01A01									
CAT.NO.	ECS101MOK1P5DF4								
SPEC.	35EE431G983			YR					
FRAME	D90S		IP	55	WT.	45			
KW	1.5	HZ	50	PH	3	DUTY-IPM	CONT		
INS CL	F	CLASS RISE				AMB-C	40		
EFF. CL	IE5	EFF	89.5	COSφ	99				
VOLTS	190/380	FLA	5.2/2.36						
1/MIN	1500	1/MIN MAX	4000						
BEMF (V)	121/242	RS (OHMS)	3.05/12.2						
LD (MH)	19.3/77	LQ (MH)	71.5/286						
VPWM	CP =	50	TO	100					
CT	5	TO	50	VT	1	TO	50		
MATCHED INV	ACS380-04XX-06A9-1 / 03A3-4								
DE	6205	ODE	6203						
SERIAL #									

Volts	380	Max RPM	4000	Conn Diag.	CD0006B03	Leads	3
Amps	2.2	Max Amps		Cs Diagram	CS1126	BEMF	296
KW	1.5	VFD#	ECIN4A44P1			LD	78.9
RPM	1500	S.F.	1.00			LQ	406
Phase/Hz	3/50	Rating	40C AMB-CONT			Rs	11.7387 Meas. L-L

60034-2-3 Motor Performance at Standardized Operating Points

	RPM	% Speed	LB-FT	% Torque	KW	Efficiency	Loss (% FL)	Watts Loss (W)
P1	1361	90%	7.0	100%	1.4	88.8	11.51%	173
P2	755	50%	7.0	100%	0.8	84.6	9.15%	137
P3	363	25%	7.0	100%	0.4	74.2	8.40%	126
P4	1358	90%	3.5	50%	0.7	91.2	4.40%	66
P5	755	50%	3.5	50%	0.4	87.8	3.50%	53
P6	755	50%	1.8	25%	0.2	89.4	1.51%	23
P7	363	25%	1.8	25%	0.1	84.3	1.13%	17

61800-9-2 PDS Performance at Reference Operating Points

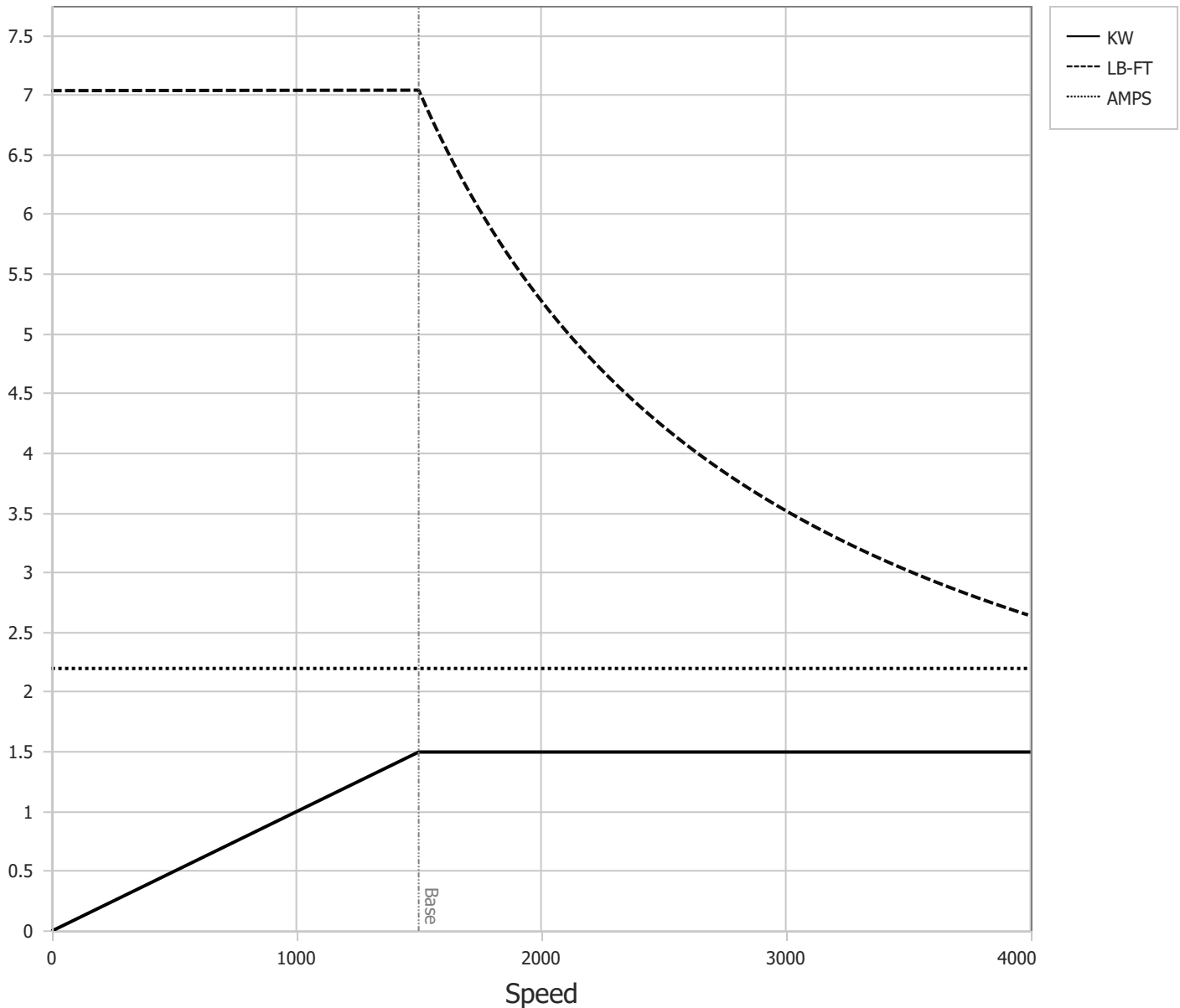
	RPM	% Speed	LB-FT	% Torque	KW	System Efficiency	Loss (% FL)	Watts Loss (W)
P1	1511	100%	7.0	100%	1.5	85.4	17.18%	258
P2	755	50%	7.0	100%	0.8	81.3	11.59%	174
P3	245	17%	7.0	100%	0.2	61.1	10.37%	155
P4	1509	100%	3.5	50%	0.8	88.4	6.59%	99
P5	755	50%	3.5	50%	0.4	82.9	5.18%	78
P6	245	17%	3.5	50%	0.1	65.2	4.36%	65
P7	755	50%	1.8	25%	0.2	81.9	2.80%	42
P8	245	17%	1.8	25%	0.1	64.1	2.29%	34

Points not taken in certified order.

BALDOR • RELIANCE	DR By: <u>R & D</u>	AC MOTOR PERFORMANCE CURVES	35WGG963 35E5209G963 Test - 111107
	CK By: <u>USTOSAN</u>		
	APP By: <u>USJAROB1</u>		
	Date: <u>08/08/2024</u>		

Volts	380	Max RPM	4000	Conn Diag.	CD0006B03	Leads	3
Amps	2.2	Max Amps		Cs Diagram	CS1126	BEMF	296
KW	1.5	VFD #	ECIN4A44P1			LD	78.9
RPM	1500	S.F.	1.00			LQ	406
Phase/Hz	3/50	Rating	40C AMB-CONT			Rs	11.7387 Meas L-L

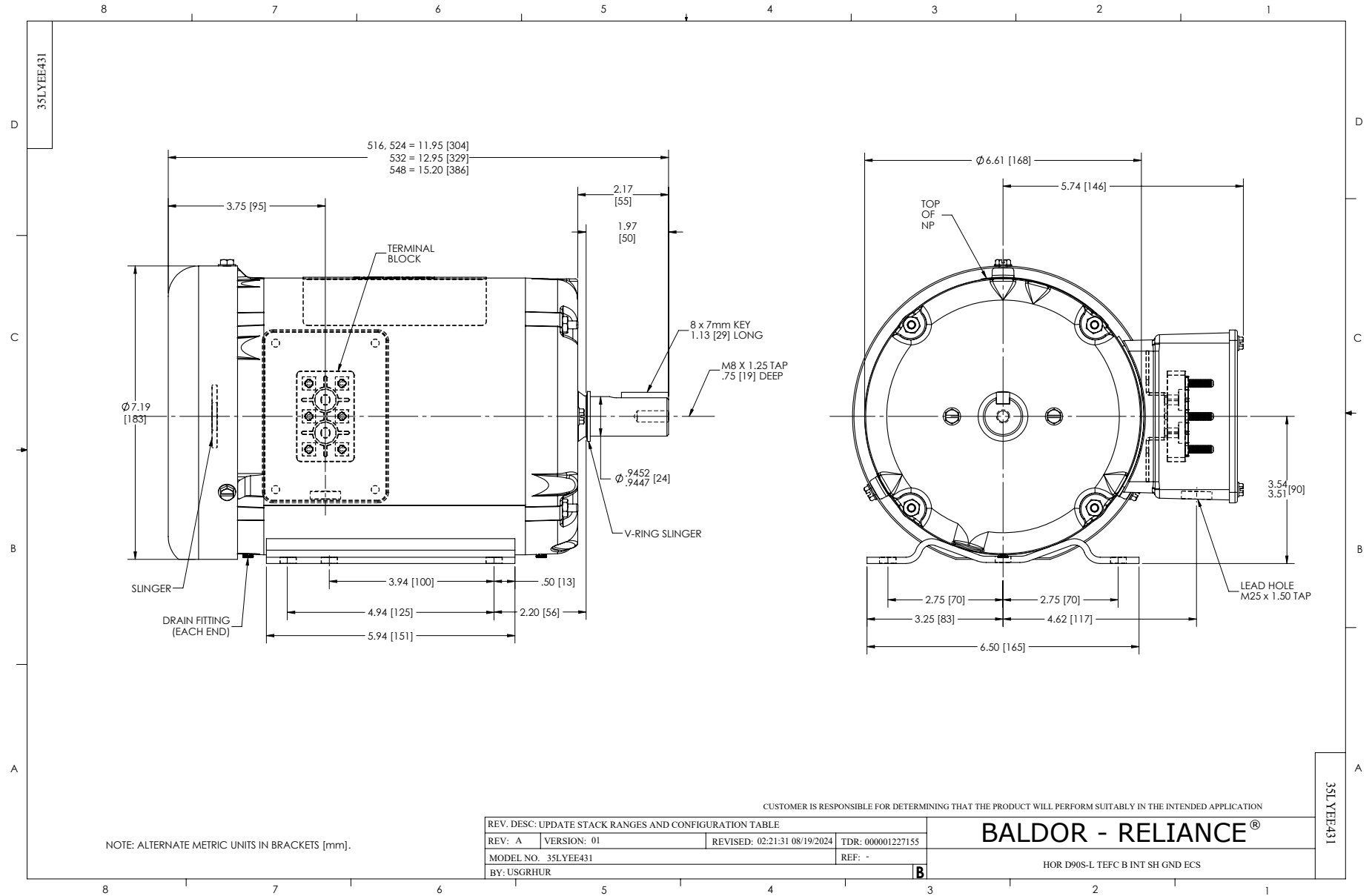
Constant Duty Operating Range



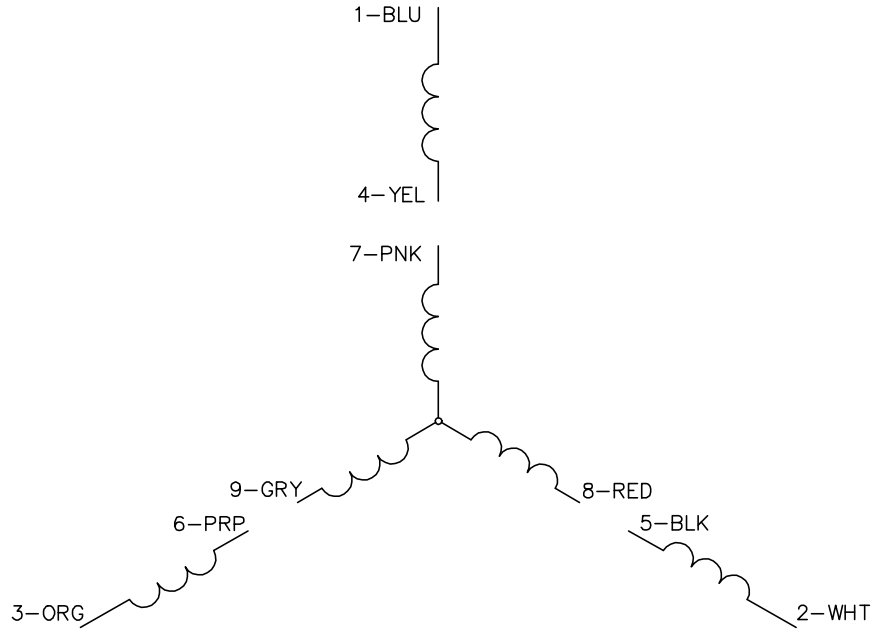
DR By: R & D
 CK By: USTOSAN
 APP By: USJAROB1
 Date: 08/08/2024

**AC MOTOR
PERFORMANCE
CURVES**

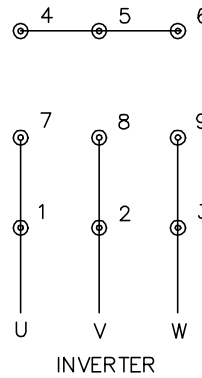
35WGG963
 35E5209G963
 Test - 111107



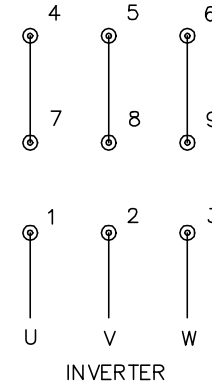
CD0005A25



LOW VOLTAGE
(2Y)



HIGH VOLTAGE
(1Y)



NOTES:

1. INTERCHANGE ANY TWO LINE LEADS TO REVERSE ROTATION.
2. ACTUAL NUMBER OF INTERNAL PARALLEL CIRCUITS MAY BE A MULTIPLE OF THOSE SHOWN ABOVE.
3. LEAD COLORS ARE OPTIONAL. LEADS MUST ALWAYS BE NUMBERED AS SHOWN.

CD0005A25

REV. DESC: NEW		
REV. LTR: -	VERSION: 00	TDR: 000001135746
FILE: \AAA\00253\082	REVISED: 01:10:57 03/30/2020	BY: ENMARSO
MTL: -	© □	

BALDOR - RELIANCE®

3PH, DV, 9 LEADS, ECS
SH 1 of 1