

BALDOR • RELIANCE

Customer information packet

ECS101M0K1P5DD4

1.5KW, 1500RPM, 3PH, 50HZ, D90D, 3520B, TEFC, B

Class - None

Division - Not Applicable

Specifications

Enclosure	TEFC
Frame	D90D
Frame Material	Steel
Frequency	50.00 Hz
Motor Letter Type	Three Phase
Output @ Frequency	1.500 KW @ 50 HZ
Phase	3
Synchronous Speed @ Frequency	1500 RPM @ 50 HZ
Voltage @ Frequency	190.0 V @ 50 HZ 380.0 V @ 50 HZ
XP Class and Group	None
XP Division	Not Applicable
Agency Approvals	CE WEEE CULUS
Ambient Temperature	40 °C
Auxillary Box	No Auxillary Box
Auxillary Box Lead Termination	None
Base Indicator	No Mounting
Bearing Grease Type	Polyrex EM (-20F +300F)
Blower	None
Constant Torque Speed Range	5
Current @ Voltage	5.200 A @ 190.0 V 2.600 A @ 380.0 V
Drip Cover	No Drip Cover
Duty Rating	S1
Efficiency @ 100% Load	89.1 %
Electrically Isolated Bearing	Not Electrically Isolated
Feedback Device	NO FEEDBACK
Frame Prefix	D
Heater Indicator	No Heater
High Voltage Full Load Amps	2.6 a

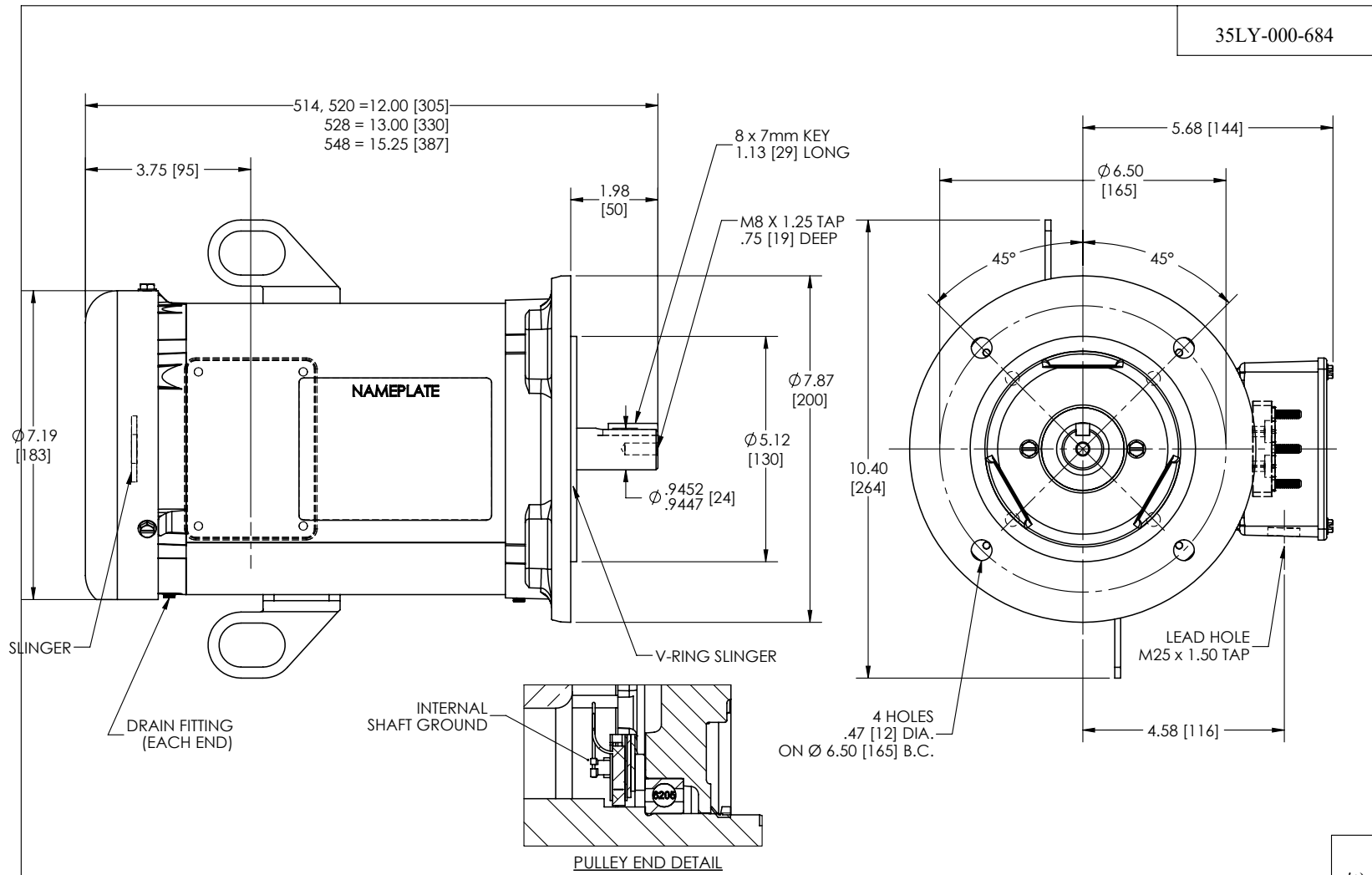
Part detail

Revision	F
Type	AC
Mech. spec.	
Base	
Status	PRD/A
Elec. spec.	35WGA0019
Layout	35LY-000-684
Eff. date	05-07-2024
CD Diagram	CD0005A25
Poles	04
Leads	9#16
Proprietary	False
Created date	09-06-2022

Insulation Class	F
Inverter Code	Inverter Duty
Lifting Lugs	No Lifting Lugs
Locked Bearing Indicator	Locked Bearing
Motor Lead Termination	Flying Leads
Motor Standards	IEC
Motor Type	3520B
Mounting Arrangement	B5
Number of Poles	4
Overall Length	12.00 IN
Power Factor	96
Product Family	General Purpose
Pulley Face Code	C-Face
Rodent Screen	None
Service Factor	1.00
Shaft Diameter	0.945 IN
Shaft Ground Indicator	Shaft Grounding
Shaft Rotation	Reversible
Speed	1500 rpm
Speed Code	Single Speed
Starting Method	Direct on line
Thermal Device - Bearing	None
Thermal Device - Winding	None
Vibration Sensor Indicator	No Vibration Sensor
Winding Thermal 1	None
Winding Thermal 2	None

Nameplate

NP3968B01A01									
CAT.NO.	ECS101MOK1P5DD4								
SPEC.	35-0000-1519				YR				
FRAME	D90D	IP	55	WT.	21				
KW	1.5	HZ	50	PH	3	DUTY-IPM	S1		
INS CL	F	CLASS RISE		B	AMB-C		40		
EFF. CL	IE5	EFF	89.1	COS0		96			
VOLTS	190/380		FLA	5.2/2.6					
1/MIN	1500			1/MIN MAX		3000			
BEMF (V)	93/186			RS (OHMS)		2.24/10.5			
LD (MH)	27.1/108			LQ (MH)		87.9/352			
VPWM	CP =	50		TO	100				
CT	5	TO	50	VT	1	TO	50		
MATCHED INV									
DE	6205		ODE	6203					
SERIAL #									



35LY-000-684

NOTE: ALTERNATE METRIC UNITS IN BRACKETS [mm].

CUSTOMER IS RESPONSIBLE FOR DETERMINING THAT THE PRODUCT WILL PERFORM SUITABLY IN THE INTENDED APPLICATION

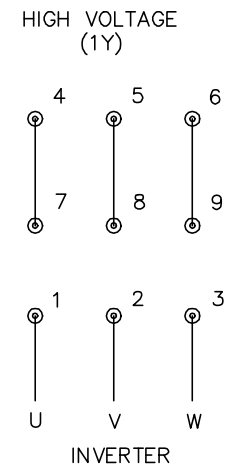
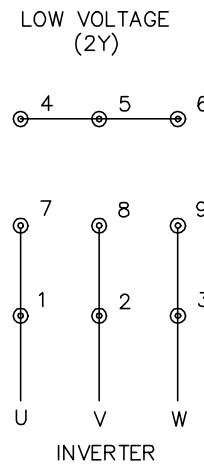
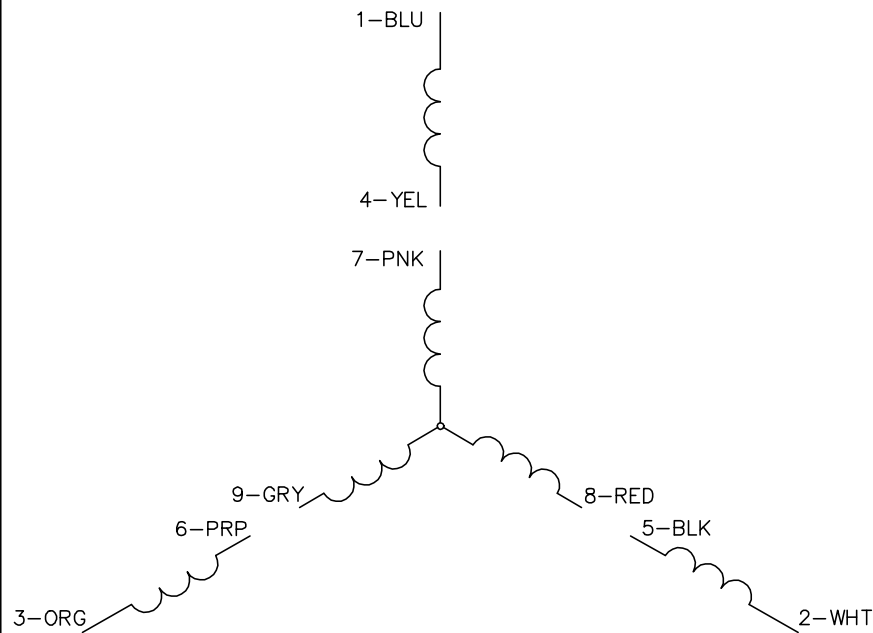
REV. DESC: CHG DE SHAFT EXTENSION DIM TO FACE OF D-FLANGE			
REV: A	VERSION: 01	REVISED: 05:22:50 01/13/2023	TDR: 000001202473
†89-000-1173		MODEL NO. 35LY-000-684	REF: -
		BY: USGRHUR	

BALDOR - RELIANCE®

VER D90D TEFC B5 INT SH GND, ECS

35LY-000-684

CD0005A25



NOTES:

1. INTERCHANGE ANY TWO LINE LEADS TO REVERSE ROTATION.
2. ACTUAL NUMBER OF INTERNAL PARALLEL CIRCUITS MAY BE A MULTIPLE OF THOSE SHOWN ABOVE.
3. LEAD COLORS ARE OPTIONAL. LEADS MUST ALWAYS BE NUMBERED AS SHOWN.

CD0005A25

REV. DESC: NEW		
REV. LTR: -	VERSION: 00	TDR: 000001135746
FILE: \AAA\00253\082	REVISED: 01:10:57 03/30/2020	BY: ENMARSO
MTL: -	© □	

BALDOR - RELIANCE®

3PH, DV, 9 LEADS, ECS
SH 1 of 1