

BALDOR • RELIANCE

Customer information packet

ECS101M0K1P5DC4

1.5KW, 1500RPM, 3PH, 50HZ, D90C, 3524B, TEFC, B

Class - None

Division - Not Applicable

Copyright © All product information within this document is subject to ABB Motors and Mechanical Inc. copyright © protection, unless otherwise noted.

11/6/2024 5:50:41 PM

Specifications

Enclosure	TEFC
Frame	D90C
Frame Material	Steel
Frequency	50.00 Hz
Haz Area Class and Group	None
Haz Area Division	Not Applicable
Motor Letter Type	Brushless Wound Field PM Rotor
Output @ Frequency	1.500 KW @ 50 HZ
Phase	3
Synchronous Speed @ Frequency	1500 RPM @ 50 HZ
Voltage @ Frequency	380.0 V @ 50 HZ 190.0 V @ 50 HZ
Agency Approvals	CE CULUS UKCA WEEE
Ambient Temperature	40 °C
Auxillary Box	No Auxillary Box
Auxillary Box Lead Termination	None
Base Indicator	No Mounting
Bearing Grease Type	Polyrex EM (-20F +300F)
Blower	None
Constant Torque Speed Range	5
Current @ Voltage	5.200 A @ 190.0 V 2.360 A @ 380.0 V
Design Code	B
Drip Cover	No Drip Cover
Duty Rating	CONT
Efficiency @ 100% Load	88.8 %
Electrically Isolated Bearing	Not Electrically Isolated
Feedback Device	NO FEEDBACK
Frame Prefix	D

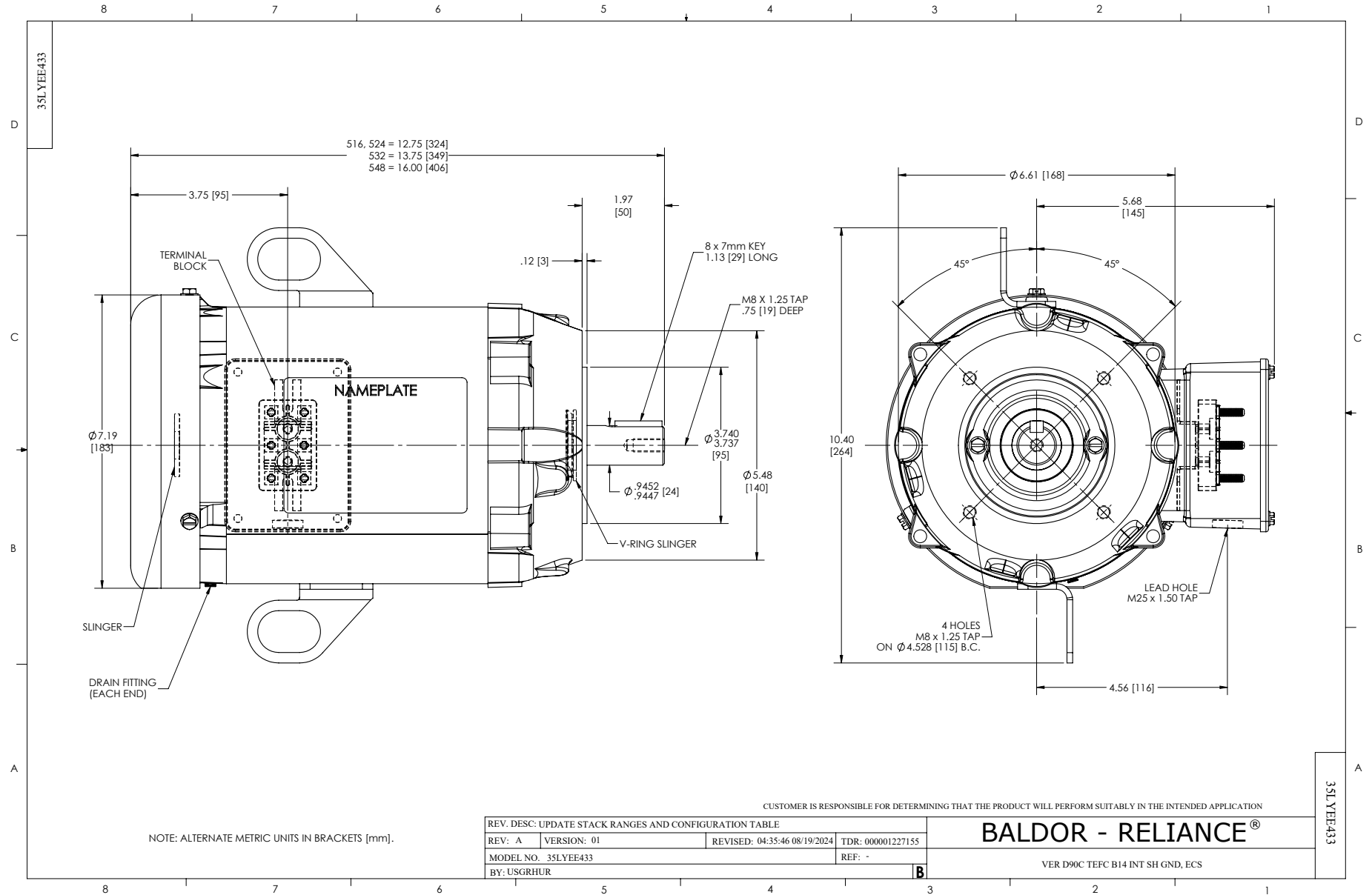
Part detail

Revision	A
Type	AC
Mech. spec.	35EE433
Base	
Status	PRD/A
Elec. spec.	35WGG983
Layout	35LYEE433
Eff. date	08-13-2024
CD Diagram	CD0005A25
Poles	04
Leads	9#16
Proprietary	False
Created date	03-21-2024

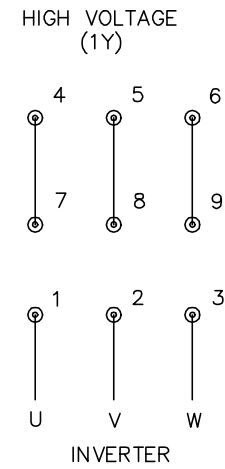
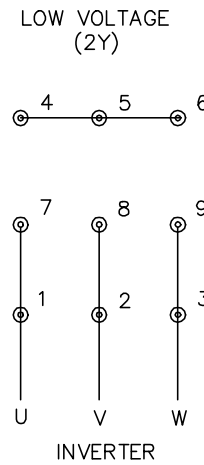
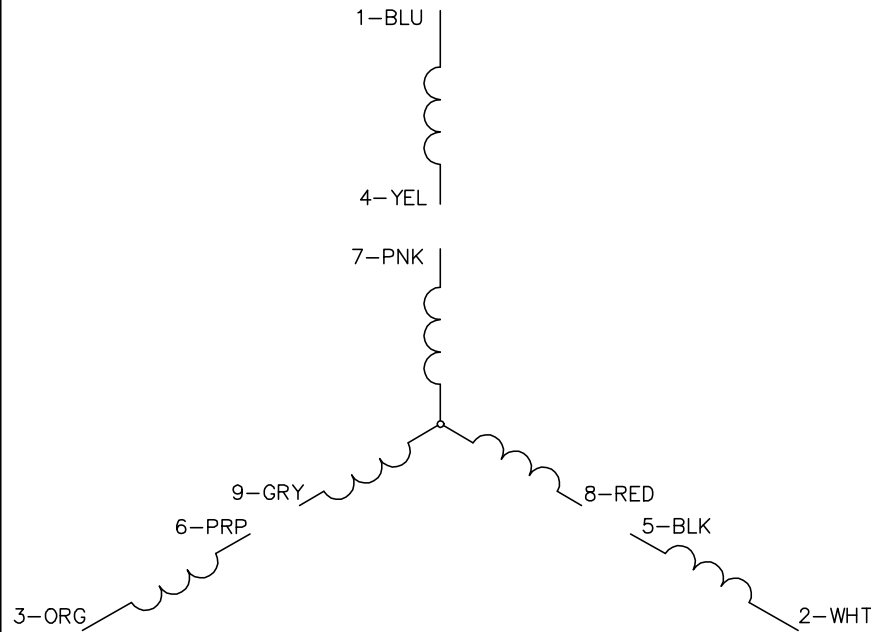
Heater Indicator	No Heater
High Voltage Full Load Amps	2.4 a
Insulation Class	F
Inverter Code	Inverter Duty
KVA Code	N
Lifting Lugs	No Lifting Lugs
Locked Bearing Indicator	Locked Bearing
Motor Lead Quantity/Wire Size	9 @ 16 AWG
Motor Lead Termination	Terminal Block
Motor Standards	IEC
Motor Type	3524B
Mounting Arrangement	B14
Number of Poles	4
Overall Length	13.75 IN
Power Factor	99
Product Family	General Purpose
Pulley Face Code	C-Face
Rodent Screen	None
RoHS Status	Y
Service Factor	1.00
Shaft Diameter	0.945 IN
Shaft Ground Indicator	Shaft Grounding
Shaft Rotation	Reversible
Speed	1500 rpm
Speed Code	Single Speed
Starting Method	Direct on line
Thermal Device - Bearing	None
Thermal Device - Winding	None
Vibration Sensor Indicator	No Vibration Sensor
Winding Thermal 1	None
Winding Thermal 2	None

Nameplate

NP3968B01A01									
CAT.NO.	ECS101MOK1P5DC4								
SPEC.	35EE433G983			YR					
FRAME	D90C	IP	54	WT.	45				
KW	1.5	HZ	50	PH	3	DUTY-IPM	CONT		
INS CL	F	CLASS RISE			AMB-C	40			
EFF. CL	IE5	EFF	89.5	COS0	99				
VOLTS	190/380		FLA	5.2/2.36					
1/MIN	1500			1/MIN MAX	4000				
BEMF (V)	121/242			RS (OHMS)	12.2				
LD (MH)	19.3/77			LQ (MH)	71.5/286				
VPWM	CP =	50		TO	100				
CT	5	TO	50	VT	1	TO	50		
MATCHED INV									
DE	6206		ODE	6203					
SERIAL #									



CD0005A25



NOTES:

1. INTERCHANGE ANY TWO LINE LEADS TO REVERSE ROTATION.
2. ACTUAL NUMBER OF INTERNAL PARALLEL CIRCUITS MAY BE A MULTIPLE OF THOSE SHOWN ABOVE.
3. LEAD COLORS ARE OPTIONAL. LEADS MUST ALWAYS BE NUMBERED AS SHOWN.

CD0005A25

REV. DESC: NEW		
REV. LTR: -	VERSION: 00	TDR: 000001135746
FILE: \AAA\00253\082	REVISED: 01:10:57 03/30/2020	BY: ENMARSO
MTL: -	© □	

BALDOR - RELIANCE®

3PH, DV, 9 LEADS, ECS
SH 1 of 1