

**BALDOR • RELIANCE**

---

# Customer information packet

## ECS101M0K0P8DC4

0.75KW, 1500RPM, 3PH, 50HZ, D90C, 3514B, TEFC

Class - None

Division - Not Applicable

## Specifications

Enclosure	TEFC
Frame	D90C
Frame Material	Steel
Frequency	50.00 Hz
Motor Letter Type	Brushless Wound Field PM Rotor
Output @ Frequency	.750 KW @ 50 HZ
Phase	3
Synchronous Speed @ Frequency	1500 RPM @ 50 HZ
Voltage @ Frequency	190.0 V @ 50 HZ 380.0 V @ 50 HZ
XP Class and Group	None
XP Division	Not Applicable
Agency Approvals	CE WEEE CULUS
Ambient Temperature	40 °C
Auxillary Box	No Auxillary Box
Auxillary Box Lead Termination	None
Base Indicator	No Mounting
Bearing Grease Type	Polyrex EM (-20F +300F)
Blower	None
Constant Torque Speed Range	5
Current @ Voltage	2.600 A @ 190.0 V 1.300 A @ 380.0 V
Drip Cover	No Drip Cover
Duty Rating	S1
Efficiency @ 100% Load	87.7 %
Electrically Isolated Bearing	Not Electrically Isolated
Feedback Device	NO FEEDBACK
Frame Prefix	D
Heater Indicator	No Heater
High Voltage Full Load Amps	1.3 a

## Part detail

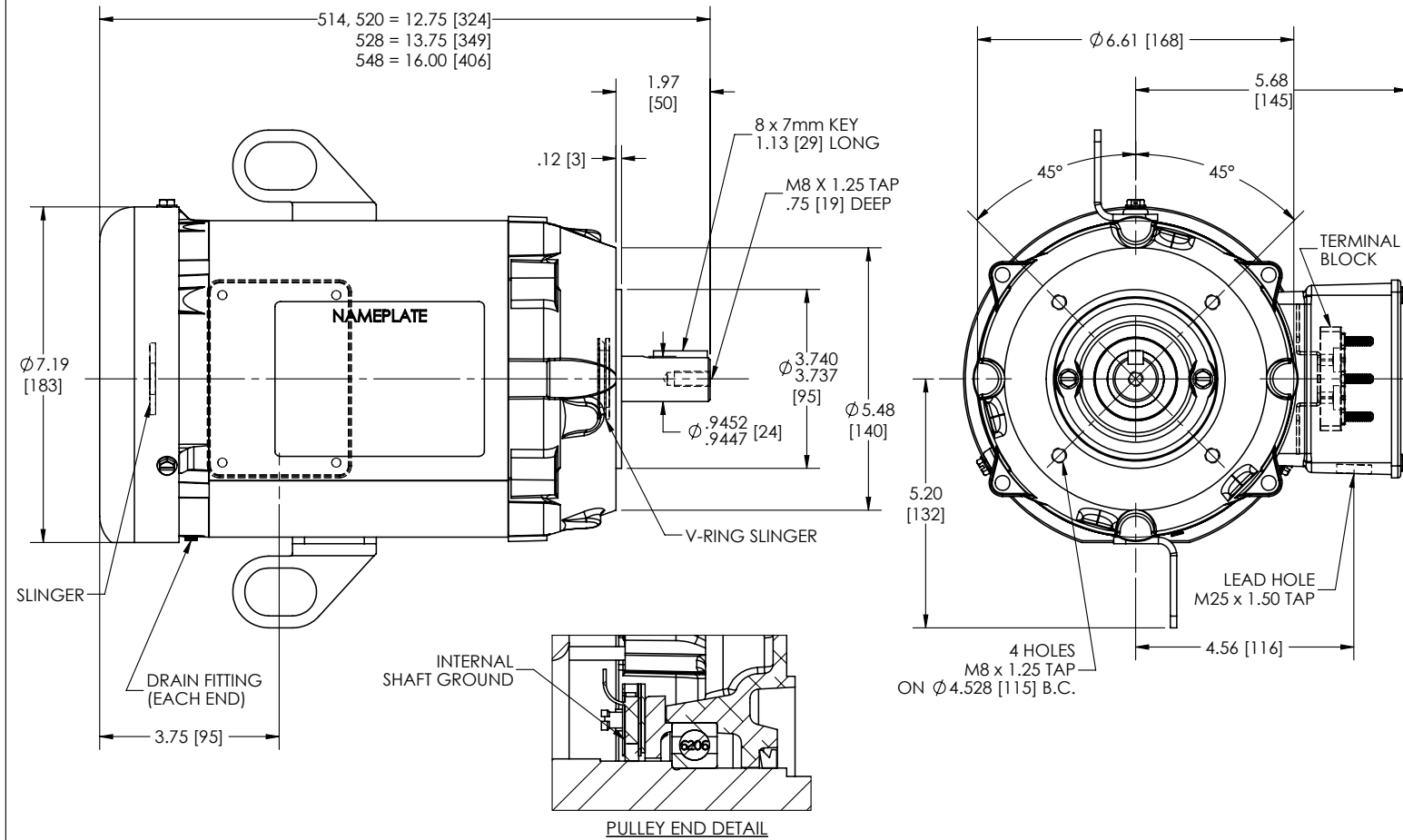
Revision	K
Type	AC
Mech. spec.	
Base	
Status	PRD/A
Elec. spec.	35WGA0020
Layout	35LY-000-677
Eff. date	05-07-2024
CD Diagram	CD0005A25
Poles	04
Leads	9#16
Proprietary	False
Created date	05-18-2022

<b>Insulation Class</b>	F
<b>Inverter Code</b>	Inverter Duty
<b>Lifting Lugs</b>	Vertical Lifting Lugs
<b>Locked Bearing Indicator</b>	No Locked Bearing
<b>Motor Lead Termination</b>	Flying Leads
<b>Motor Standards</b>	IEC
<b>Motor Type</b>	3514B
<b>Mounting Arrangement</b>	B14
<b>Number of Poles</b>	4
<b>Overall Length</b>	12.75 IN
<b>Power Factor</b>	97
<b>Product Family</b>	General Purpose
<b>Pulley Face Code</b>	C-Face
<b>Rodent Screen</b>	None
<b>Service Factor</b>	1.00
<b>Shaft Diameter</b>	0.945 IN
<b>Shaft Ground Indicator</b>	Shaft Grounding
<b>Shaft Rotation</b>	Reversible
<b>Speed</b>	1500 rpm
<b>Speed Code</b>	Single Speed
<b>Starting Method</b>	Direct on line
<b>Thermal Device - Bearing</b>	None
<b>Thermal Device - Winding</b>	None
<b>Vibration Sensor Indicator</b>	No Vibration Sensor
<b>Winding Thermal 1</b>	None
<b>Winding Thermal 2</b>	None

**Nameplate**

<b>NP3968B01A01</b>									
<b>CAT.NO.</b>	ECS101MOKOP8DC4								
<b>SPEC.</b>	35-0000-1489				<b>YR</b>				
<b>FRAME</b>	D90C	<b>IP</b>	55	<b>WT.</b>	17				
<b>KW</b>	.75	<b>HZ</b>	50	<b>PH</b>	3	<b>DUTY-IPM</b>	S1		
<b>INS CL</b>	F	<b>CLASS RISE</b>		B	<b>AMB-C</b>		40		
<b>EFF. CL</b>	IE5	<b>EFF</b>	87.7	<b>COSØ</b>		97			
<b>VOLTS</b>	190/380		<b>FLA</b>	2.8/1.4					
<b>1/MIN</b>	1500			<b>1/MIN MAX</b>		3000			
<b>BEMF (V)</b>	103/206			<b>RS (OHMS)</b>		5.98/23.9			
<b>LD (MH)</b>	36/144			<b>LQ (MH)</b>		180/721			
<b>VPWM</b>	<b>CP =</b>	50		<b>TO</b>	100				
<b>CT</b>	5	<b>TO</b>	50	<b>VT</b>	1	<b>TO</b>	50		
<b>MATCHED INV</b>									
<b>DE</b>	6206		<b>ODE</b>	6203					
<b>SERIAL #</b>									

35LY-000-677



NOTE: ALTERNATE METRIC UNITS IN BRACKETS [mm].

CUSTOMER IS RESPONSIBLE FOR DETERMINING THAT THE PRODUCT WILL PERFORM SUITABLY IN THE INTENDED APPLICATION

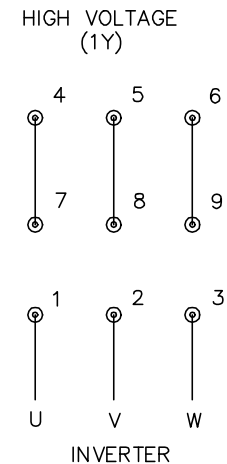
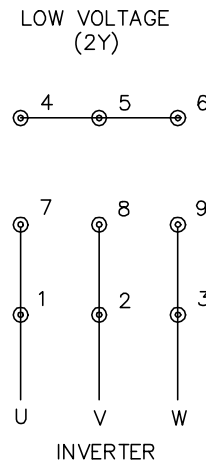
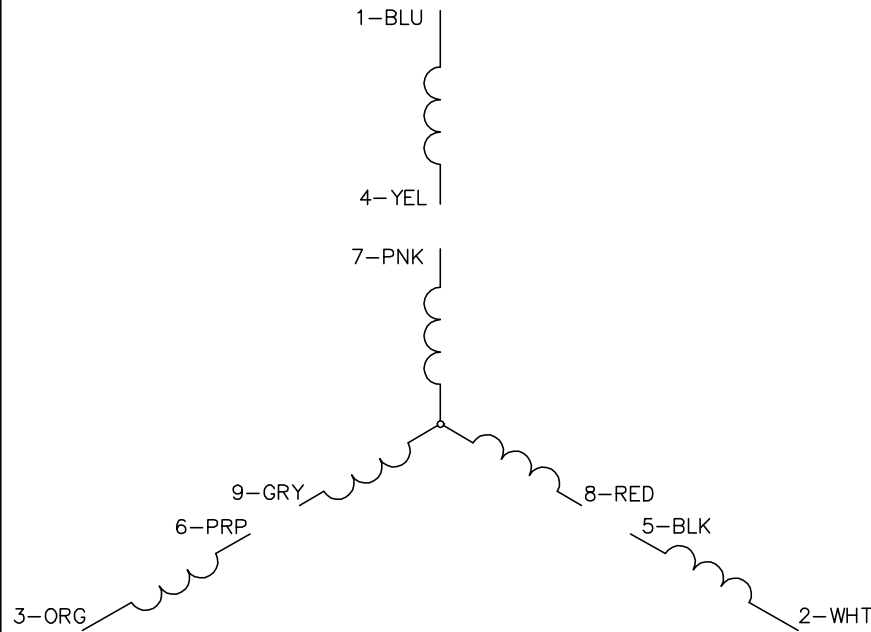
REV. DESC: CHANGE TO B14			
REV: B	VERSION: 02	REVISED: 03:05:39 11/08/2022	TDR: 000001196153
MODEL NO. 35LY-000-677		REF: -	
BY: ENFRAJ0			

**BALDOR - RELIANCE**<sup>®</sup>

VER D90C TEFC B14 INT SH GND, ECS

35LY-000-677

CD0005A25



NOTES:

1. INTERCHANGE ANY TWO LINE LEADS TO REVERSE ROTATION.
2. ACTUAL NUMBER OF INTERNAL PARALLEL CIRCUITS MAY BE A MULTIPLE OF THOSE SHOWN ABOVE.
3. LEAD COLORS ARE OPTIONAL. LEADS MUST ALWAYS BE NUMBERED AS SHOWN.

CD0005A25

REV. DESC: NEW		
REV. LTR: -	VERSION: 00	TDR: 000001135746
FILE: \AAA\00253\082	REVISED: 01:10:57 03/30/2020	BY: ENMARSO
MTL: -	© □	

**BALDOR - RELIANCE®**

3PH, DV, 9 LEADS, ECS  
SH 1 of 1