

**BALDOR • RELIANCE**

---

# Customer information packet

## ECS101M0H7EF4

7.5HP, 1800RPM, 3PH, 60HZ, 184T, TEFC, N

Class - None

Division - Not Applicable

Copyright © All product information within this document is subject to ABB Motors and Mechanical Inc. copyright © protection, unless otherwise noted.

9/14/2024 4:49:43 AM

## Specifications

Enclosure	TEFC
Frame	184T
Frame Material	Steel
Frequency	60.00 Hz
Haz Area Class and Group	None
Haz Area Division	Not Applicable
Motor Letter Type	Three Phase
Phase	3
Agency Approvals	UL WEEE
Auxillary Box	No Auxillary Box
Auxillary Box Lead Termination	None
Base Indicator	Rigid
Bearing Grease Type	Polyrex EM (-20F +300F)
Blower	None
Constant Torque Speed Range	6
Design Code	B
Drip Cover	No Drip Cover
Duty Rating	CONT
Electrically Isolated Bearing	Not Electrically Isolated
Feedback Device	NO FEEDBACK
Front Shaft Indicator	None
Heater Indicator	No Heater
Insulation Class	F
Inverter Code	Inverter Duty
IP Rating	NONE
Lifting Lugs	Standard Lifting Lugs
Locked Bearing Indicator	Locked Bearing
Motor Lead Quantity/Wire Size	9 @ 14 AWG
Motor Lead Termination	Flying Leads
Motor Standards	NEMA
Motor Type	3648B

## Part detail

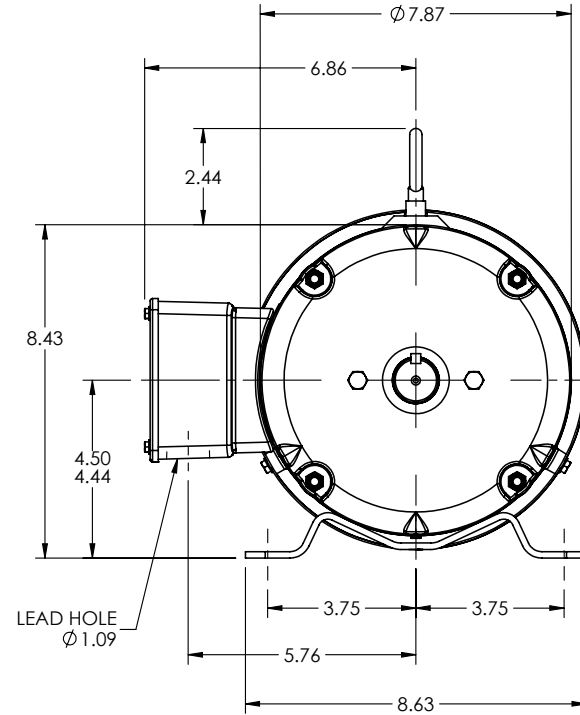
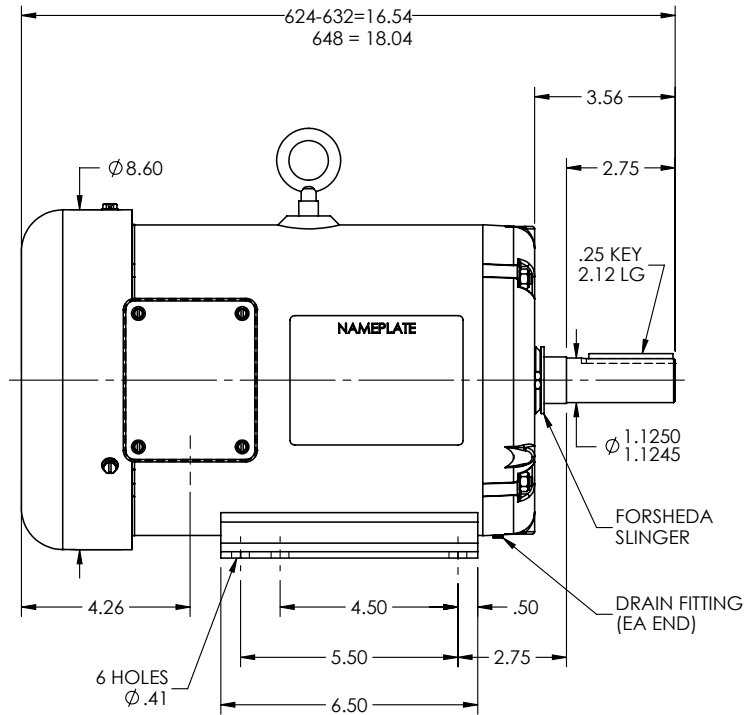
Revision	R
Type	AC
Mech. spec.	36T257
Base	
Status	PRD/A
Elec. spec.	36WGL052
Layout	36LYT257
Eff. date	05-01-2024
CD Diagram	CD0005
Poles	04
Leads	9#14 Y
Proprietary	False
Created date	12-13-2018

<b>Mounting Arrangement</b>	F1
<b>Number of Poles</b>	4
<b>Overall Length</b>	18.04 IN
<b>Product Family</b>	General Purpose
<b>Pulley Face Code</b>	Standard
<b>Pulley Shaft Indicator</b>	Standard
<b>Rodent Screen</b>	None
<b>RoHS Status</b>	ROHS COMPLIANT
<b>Shaft Diameter</b>	1.125 IN
<b>Shaft Ground Indicator</b>	No Shaft Grounding
<b>Shaft Rotation</b>	Reversible
<b>Shaft Slinger Indicator</b>	No Slinger
<b>Speed Code</b>	Single Speed
<b>Starting Method</b>	INVERTER SPECIAL
<b>Thermal Device - Bearing</b>	None
<b>Thermal Device - Winding</b>	None
<b>Vibration Sensor Indicator</b>	No Vibration Sensor
<b>Winding Thermal 1</b>	None
<b>Winding Thermal 2</b>	None

## Nameplate

NP3968A01A01									
<b>CAT.NO.</b>	ECS101M0H7EF4								
<b>SPEC.</b>	36T257L052G1								
<b>FRAME</b>	184T		<b>ENCL.</b>	TEFC	<b>IP</b>	54			
<b>HP</b>	7.5	40	<b>C AMB</b>		<b>CONT</b>				
<b>NOM. EFF.</b>	94.2%	<b>PF</b>	91.0%	<b>SF</b>	1.50				
<b>VOLTS</b>	230/460		<b>FLA</b>	17.5/8.8					
<b>RPM</b>	1800		<b>RPM-MAX</b>	4000					
<b>HZ</b>	60	<b>PH.</b>	3	<b>CLASS</b>	F				
<b>BEMF (V)</b>	105/211		<b>RS (OHMS)</b>	0.32/1.26					
<b>LD (MH)</b>	6.3/25.0		<b>LQ (MH)</b>	22.9/91.6					
<b>VPWM</b>	<b>CHP</b>	60	<b>TO</b>	133					
<b>CT</b>	6	<b>TO</b>	60	<b>VT</b>	1	<b>TO</b>	60		
<b>MATCHED INV</b>	ACS380-04XX-[N/A]/12A6-4								
<b>DE</b>	6206		<b>ODE</b>	6205					
<b>SERIAL #</b>									

36LYT257



REV. DESC: CHANGE NAMEPLATE TO NP4246A01

REV: K	VERSION: 10	REVISED: 07:22:51 10/06/2022	TDR: 000001196734
--------	-------------	------------------------------	-------------------



MODEL NO. 36LYT257

REF: -

BY: ENALEM0

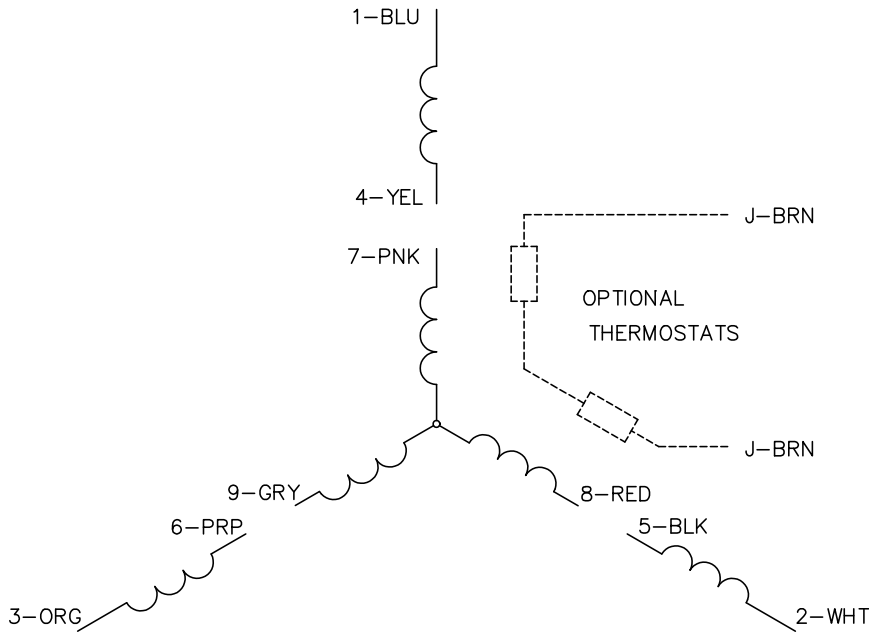
Material: -

**BALDOR**

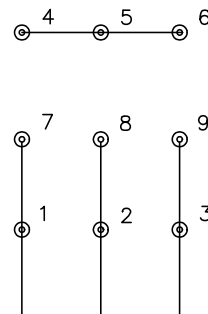
HOR 182-4T TEFC B EYEBOLT INT SH GND ECS

36LYT257

CD0005

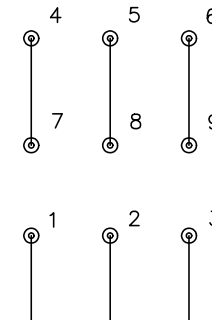


LOW VOLTAGE  
(2Y)



LINE

HIGH VOLTAGE  
(1Y)



LINE

NOTES:

1. INTERCHANGE ANY TWO LINE LEADS TO REVERSE ROTATION.
2. OPTIONAL THERMOSTATS ARE PROVIDED WHEN SPECIFIED.
3. ACTUAL NUMBER OF INTERNAL PARALLEL CIRCUITS MAY BE A MULTIPLE OF THOSE SHOWN ABOVE.
4. LEAD COLORS ARE OPTIONAL. LEADS MUST ALWAYS BE NUMBERED AS SHOWN.

CD0005

REV. DESC: REVISE TO SHOW OPTIONAL COLORS			
REV. LTR: E	BY: JLP	REVISED: 01/19/99 10:15	TDR: 0171435
S00000		FILE: AAA00005140	MDL: -
		MTL: -	

**BALDOR ELECTRIC Co.**

3PH, DV, 9 LEADS