

BALDOR • RELIANCE

Customer information packet

ECS101M0H3EB4

3HP, 1800RPM, 3PH, 60HZ, 182TC, TEFC, N

Class - None

Division - Not Applicable

Specifications

Enclosure	TEFC
Frame	182TC
Frame Material	Steel
Frequency	60.00 Hz
Haz Area Class and Group	None
Haz Area Division	Not Applicable
Motor Letter Type	Three Phase
Output @ Frequency	3.000 HP @ 60 HZ
Phase	3
Synchronous Speed @ Frequency	1800 RPM @ 60 HZ
Voltage @ Frequency	230.0 V @ 60 HZ 460.0 V @ 60 HZ
Agency Approvals	UL WEEE
Ambient Temperature	40 °C
Auxillary Box	No Auxillary Box
Auxillary Box Lead Termination	None
Base Indicator	Rigid
Bearing Grease Type	Polyrex EM (-20F +300F)
Blower	None
Constant Torque Speed Range	6
Current @ Voltage	3.700 A @ 460.0 V 7.300 A @ 230.0 V
Drip Cover	No Drip Cover
Duty Rating	CONT
Efficiency @ 100% Load	92.8 %
Electrically Isolated Bearing	Not Electrically Isolated
Feedback Device	NO FEEDBACK
Heater Indicator	No Heater
High Voltage Full Load Amps	3.7 a
Insulation Class	F
Inverter Code	Inverter Duty

Part detail

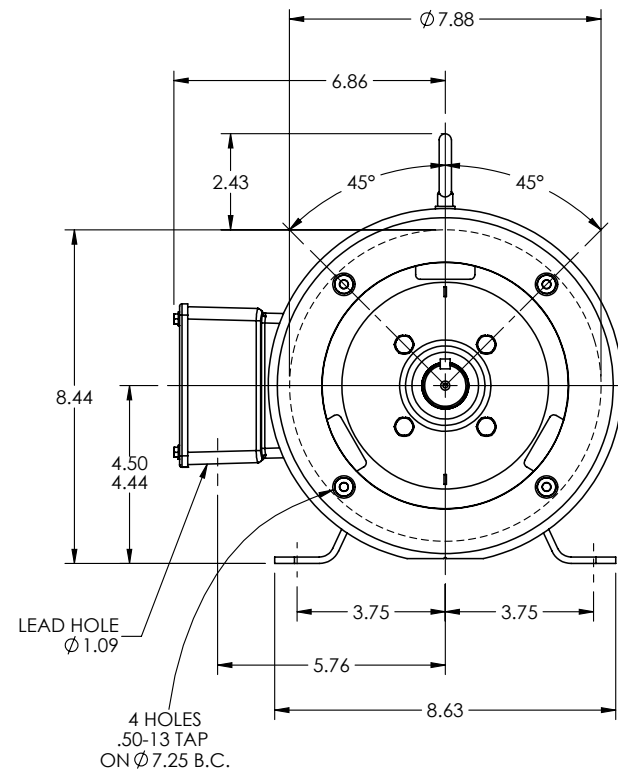
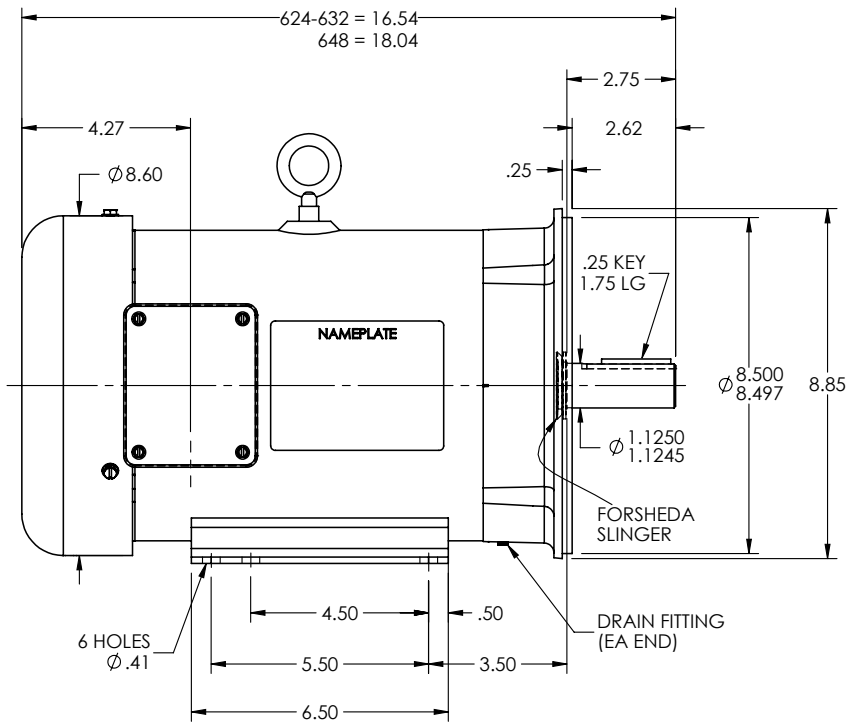
Revision	G
Type	AC
Mech. spec.	
Base	
Status	PRD/A
Elec. spec.	36WGA0019
Layout	36LYT262
Eff. date	07-10-2024
CD Diagram	CD0005A25
Poles	04
Leads	9#14
Proprietary	False
Created date	09-18-2020

IP Rating	NONE
Lifting Lugs	Standard Lifting Lugs
Locked Bearing Indicator	Locked Bearing
Motor Lead Termination	Flying Leads
Motor Standards	NEMA
Motor Type	3624B
Mounting Arrangement	F1
Number of Poles	4
Overall Length	16.54 IN
Power Factor	97
Product Family	General Purpose
Pulley Face Code	C-Face
Rodent Screen	None
RoHS Status	ROHS COMPLIANT
Service Factor	1.50
Shaft Diameter	1.125 IN
Shaft Ground Indicator	Shaft Grounding
Shaft Rotation	Reversible
Speed	1800 rpm
Speed Code	Single Speed
Starting Method	Direct on line
Thermal Device - Bearing	None
Thermal Device - Winding	None
Vibration Sensor Indicator	No Vibration Sensor
Winding Thermal 1	None
Winding Thermal 2	None

Nameplate

NP3968A01A01									
CAT.NO.	ECS101M0H3EB4								
SPEC.	36-0000-0418								
FRAME	182TC	ENCL.	TEFC	IP	54				
HP	3	40	C AMB	CONT					
NOM. EFF.	92.8	PF	97	SF	1.5				
VOLTS	230/460		FLA	7.3/3.7					
RPM	1800	RPM-MAX	4000						
HZ	60	PH.	3	CLASS	F				
BEMF (V)	104/207		RS (OHMS)	0.91/3.65					
LD (MH)	14.4/57.7		LQ (MH)	54.4/217.7					
VPWM	CHP	60	TO	133					
CT	6	TO	60	VT	1	TO	133		
MATCHED INV	ACS380-04XX-07A8-1/05A6-4								
DE	6206		ODE	6205					
SERIAL #									

36LYT262



REV. DESC: UPDATE DRAWING GRAPHICS

REV: B	VERSION: 02	REVISED: 01:28:51 03/16/2022	TDR: 000001187699
--------	-------------	------------------------------	-------------------



MODEL NO. 36LYT262

REF: -

BY: ENJEFD0

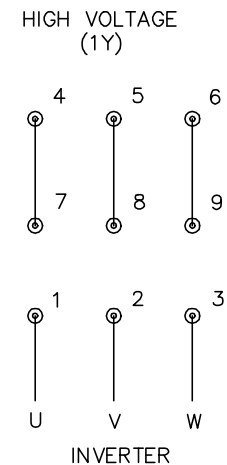
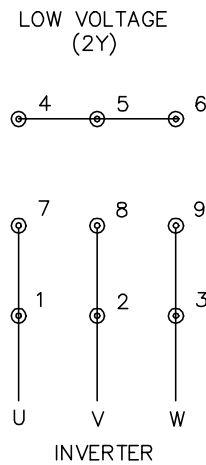
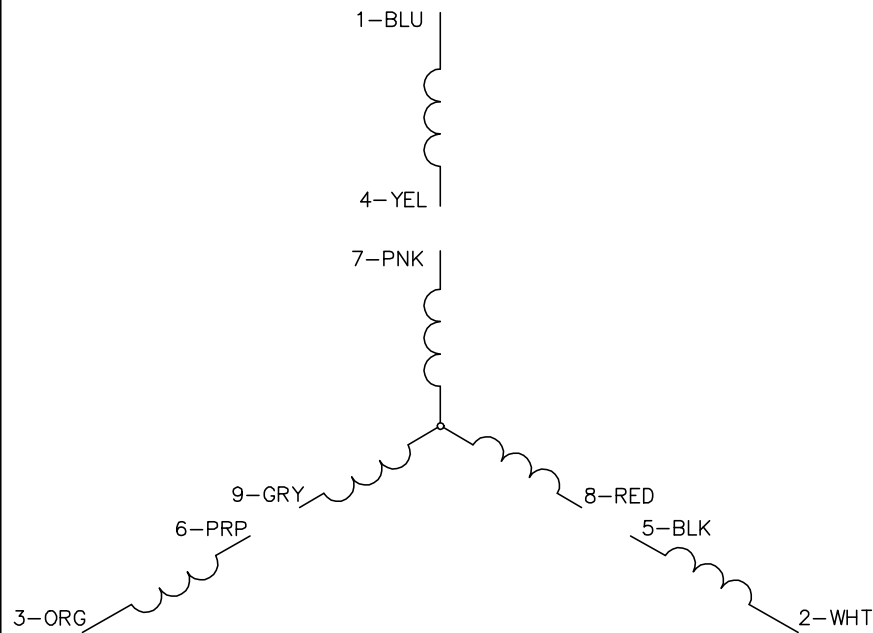
Material: -

BALDOR

HOR 182-4TC TEFC B EYEBOLT INT SH GND ECS

36LYT262

CD0005A25



NOTES:

1. INTERCHANGE ANY TWO LINE LEADS TO REVERSE ROTATION.
2. ACTUAL NUMBER OF INTERNAL PARALLEL CIRCUITS MAY BE A MULTIPLE OF THOSE SHOWN ABOVE.
3. LEAD COLORS ARE OPTIONAL. LEADS MUST ALWAYS BE NUMBERED AS SHOWN.

CD0005A25

REV. DESC: NEW		
REV. LTR: -	VERSION: 00	TDR: 000001135746
FILE: \AAA\00253\082	REVISED: 01:10:57 03/30/2020	BY: ENMARSO
MTL: -	© □	

BALDOR - RELIANCE®

3PH, DV, 9 LEADS, ECS
SH 1 of 1