

# ABB BALDOR RELIANCE III

---

## Customer information packet

ECS101M0H15FF4

15HP, 1800RPM, 3PH, 60HZ, 215T, TEFC, N

Class - None

Division - Not Applicable

**Specifications**

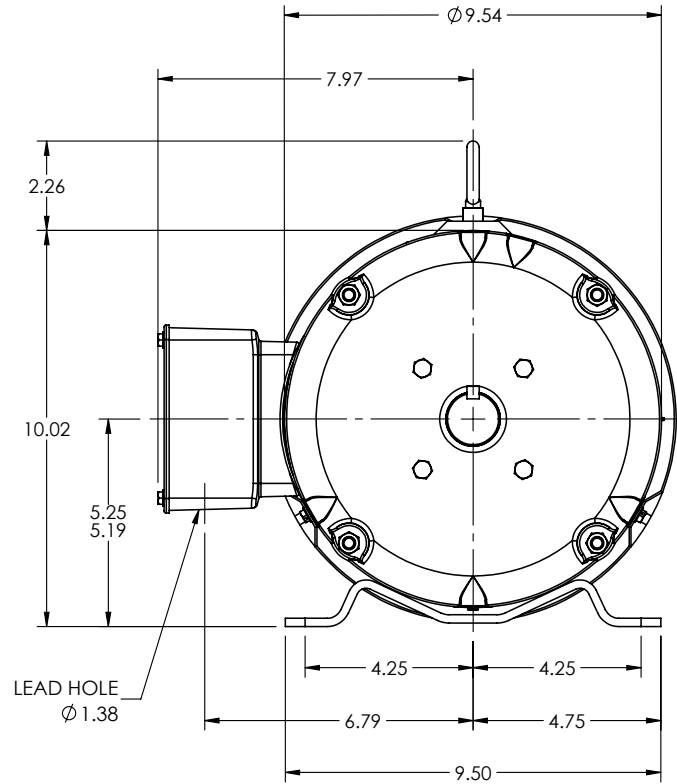
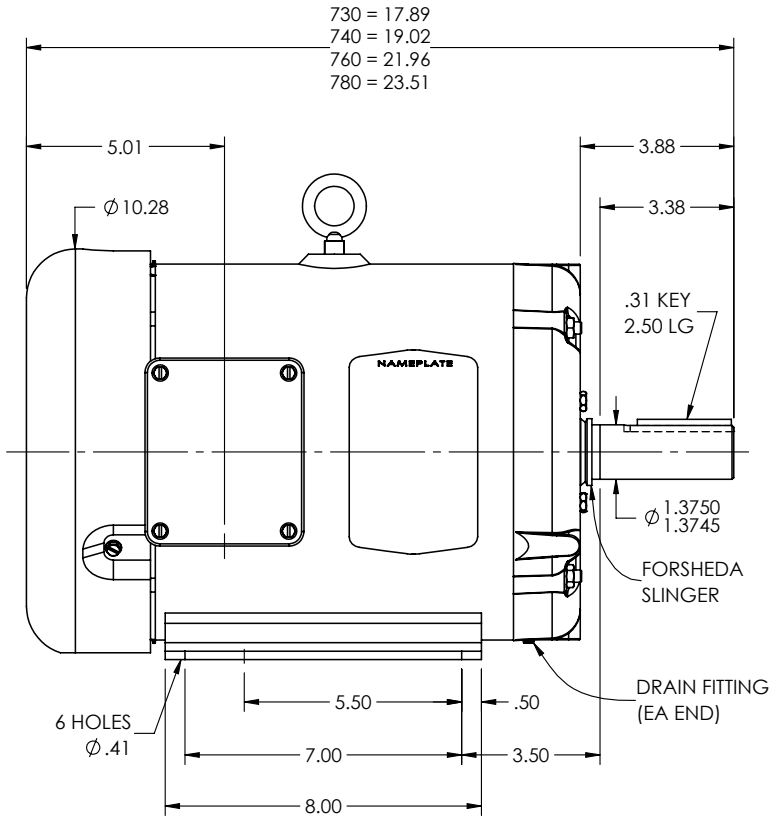
<b>Enclosure</b>	TEFC
<b>Frame</b>	215T
<b>Frame Material</b>	Steel
<b>Frequency</b>	60.00 Hz
<b>Haz Area Class and Group</b>	None
<b>Haz Area Division</b>	Not Applicable
<b>Motor Letter Type</b>	Three Phase
<b>Phase</b>	3
<b>Agency Approvals</b>	WEEE UL
<b>Auxiliary Box</b>	NO AUXILLARY BOX
<b>Auxiliary Box Lead Termination</b>	None
<b>Base Indicator</b>	Rigid
<b>Bearing Grease Type</b>	Polyrex EM (-20F +300F)
<b>Blower</b>	None
<b>Constant Torque Speed Range</b>	30
<b>Drip Cover</b>	No Drip Cover
<b>Duty Rating</b>	CONT
<b>Electrically Isolated Bearing</b>	Not Electrically Isolated
<b>Feedback Device</b>	NO FEEDBACK
<b>Front Shaft Indicator</b>	None
<b>Heater Indicator</b>	No Heater
<b>Insulation Class</b>	F
<b>Inverter Code</b>	Inverter Duty
<b>IP Rating</b>	NONE
<b>Lifting Lugs</b>	Standard Lifting Lugs
<b>Locked Bearing Indicator</b>	Locked Bearing
<b>Motor Lead Quantity/Wire Size</b>	9 @ 12 AWG
<b>Motor Lead Termination</b>	Flying Leads
<b>Motor Standards</b>	NEMA
<b>Motor Type</b>	3760B
<b>Mounting Arrangement</b>	F1

**Part Detail**

<b>Revision</b>	W
<b>Type</b>	AC
<b>Mech. spec.</b>	37Q435
<b>Base</b>	
<b>Status</b>	PRD/A
<b>Elec. spec.</b>	37WGL002
<b>Layout</b>	37LYQ435
<b>Eff. date</b>	03-03-2026
<b>CD Diagram</b>	CD0005
<b>Poles</b>	04
<b>Leads</b>	9#12
<b>Proprietary</b>	False
<b>Created date</b>	12-12-2018

<b>Number of Poles</b>	4
<b>Overall Length</b>	21.96 IN
<b>Product Family</b>	General Purpose
<b>Pulley End Bearing Type</b>	Ball
<b>Pulley Face Code</b>	Standard
<b>Pulley Shaft Indicator</b>	Standard
<b>Rodent Screen</b>	None
<b>RoHS Status</b>	ROHS COMPLIANT
<b>Shaft Diameter</b>	1.375 IN
<b>Shaft Ground Indicator</b>	Shaft Grounding
<b>Shaft Rotation</b>	Reversible
<b>Shaft Slinger Indicator</b>	No Slinger
<b>Speed Code</b>	Single Speed
<b>Starting Method</b>	INVERTER SPECIAL
<b>Thermal Device - Bearing</b>	None
<b>Thermal Device - Winding</b>	None
<b>Vibration Sensor Indicator</b>	No Vibration Sensor
<b>Winding Thermal 1</b>	None
<b>Winding Thermal 2</b>	None

37LYQ435



REV. DESC: CHG'D TO 37GS1000, 37GS1008

REV: J	VERSION: 09	REVISED: 09:27:18 06/05/2025	TDR: 000001256072
--------	-------------	------------------------------	-------------------

37LYQ435

MODEL NO. 37LYQ435  
BY: USEROLI

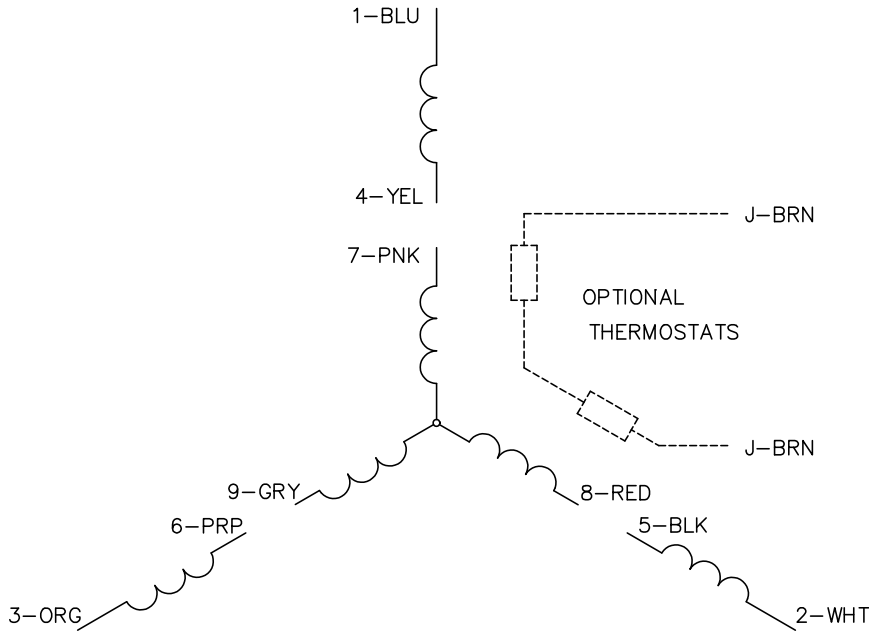
REF: -

**BALDOR - RELIANCE®**

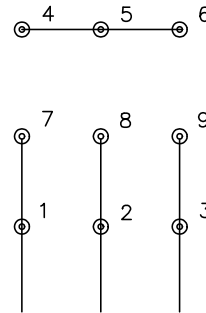
HOR 213-5T TEFC B INT SH GND ECS

37LYQ435

CD0005

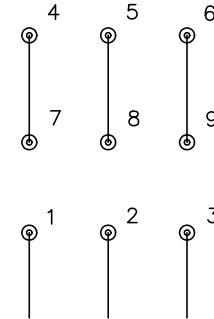


LOW VOLTAGE  
(2Y)



LINE

HIGH VOLTAGE  
(1Y)



LINE

NOTES:

1. INTERCHANGE ANY TWO LINE LEADS TO REVERSE ROTATION.
2. OPTIONAL THERMOSTATS ARE PROVIDED WHEN SPECIFIED.
3. ACTUAL NUMBER OF INTERNAL PARALLEL CIRCUITS MAY BE A MULTIPLE OF THOSE SHOWN ABOVE.
4. LEAD COLORS ARE OPTIONAL. LEADS MUST ALWAYS BE NUMBERED AS SHOWN.

CD0005

REV. DESC: REVISE TO SHOW OPTIONAL COLORS

REV. LTR: E BY: JLP REVISED: 01/19/99 10:15 TDR: 0171435

500000

FILE: AAA00005140

MDL: -

MTL: -

**BALDOR ELECTRIC Co.**

3PH, DV, 9 LEADS