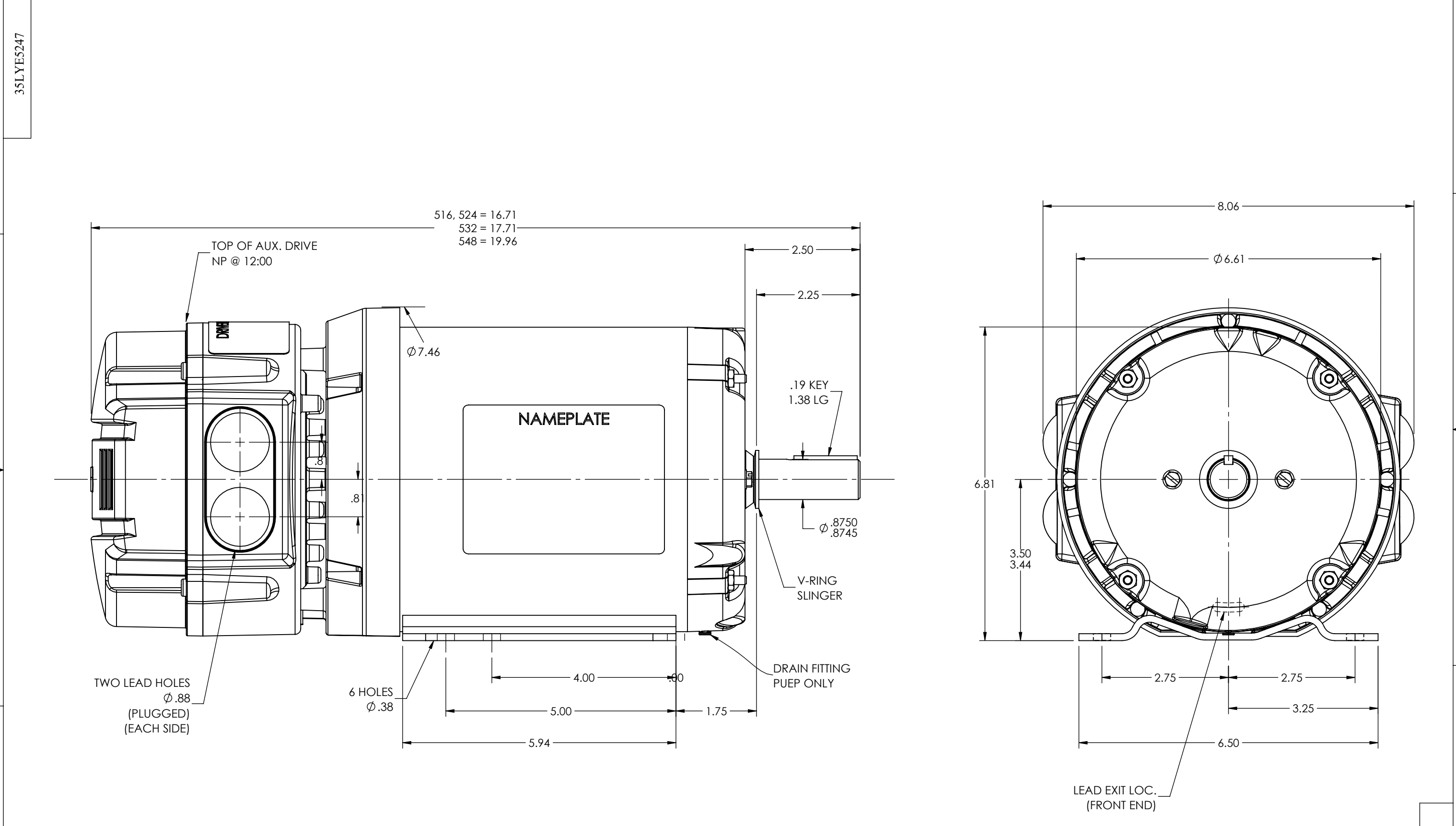


8 7 6 5 4 3 2 1



CUSTOMER IS RESPONSIBLE FOR DETERMINING THAT THE PRODUCT WILL PERFORM SUITABLY IN THE INTENDED APPLICATION

REV. DESC: UPDATE STACK RANGES AND CONFIGURATION TABLE			
REV: J	VERSION: 09	REVISED: 11:09:34 08/26/2024	TDR: 000001238041
MODEL NO. 35LYE5247			REF: -
BY: USGRHUR			<b>B</b>

**BALDOR - RELIANCE®**

HOR 143-5T TEFC B ODE MOUNT DRV INT SH GND ECS

8 7 6 5 4 3 2 1

35LYE5247