



Customer information packet

ECS101A3K4ED4

4KW, 1500RPM, 3PH, 50HZ, D112D, 3632B, TEFC, B5

Class - None

Division - Not Applicable

Specifications

Enclosure	TEFC
Frame	D112D
Frame Material	Steel
Frequency	50.00 Hz
Haz Area Class and Group	None
Haz Area Division	Not Applicable
Motor Letter Type	Brushless Wound Field PM Rotor
Output @ Frequency	4.000 KW @ 50 HZ
Phase	3
Synchronous Speed @ Frequency	1500 RPM @ 50 HZ
Voltage @ Frequency	380.0 V @ 50 HZ
Agency Approvals	WEEE UKCA CULUS CE
Ambient Temperature	40 °C
Auxillary Box	No Auxillary Box
Auxillary Box Lead Termination	None
Base Indicator	No Mounting
Bearing Grease Type	Polyrex EM (-20F +300F)
Blower	None
Constant Torque Speed Range	5
Current @ Voltage	6.800 A @ 380.0 V
Design Code	B
Drip Cover	No Drip Cover
Duty Rating	S1
Efficiency @ 100% Load	91.6 %
Electrically Isolated Bearing	Not Electrically Isolated
Feedback Device	NO FEEDBACK
Frame Prefix	D
Heater Indicator	No Heater
High Voltage Full Load Amps	6.8 a

Part detail

Revision	D
Type	AC
Mech. spec.	
Base	
Status	PRD/A
Elec. spec.	36WGA0022
Layout	36LYT529
Eff. date	11-15-2024
CD Diagram	CD0006B03
Poles	04
Leads	3#12 15" LONG LEADS
Proprietary	False
Created date	01-11-2023

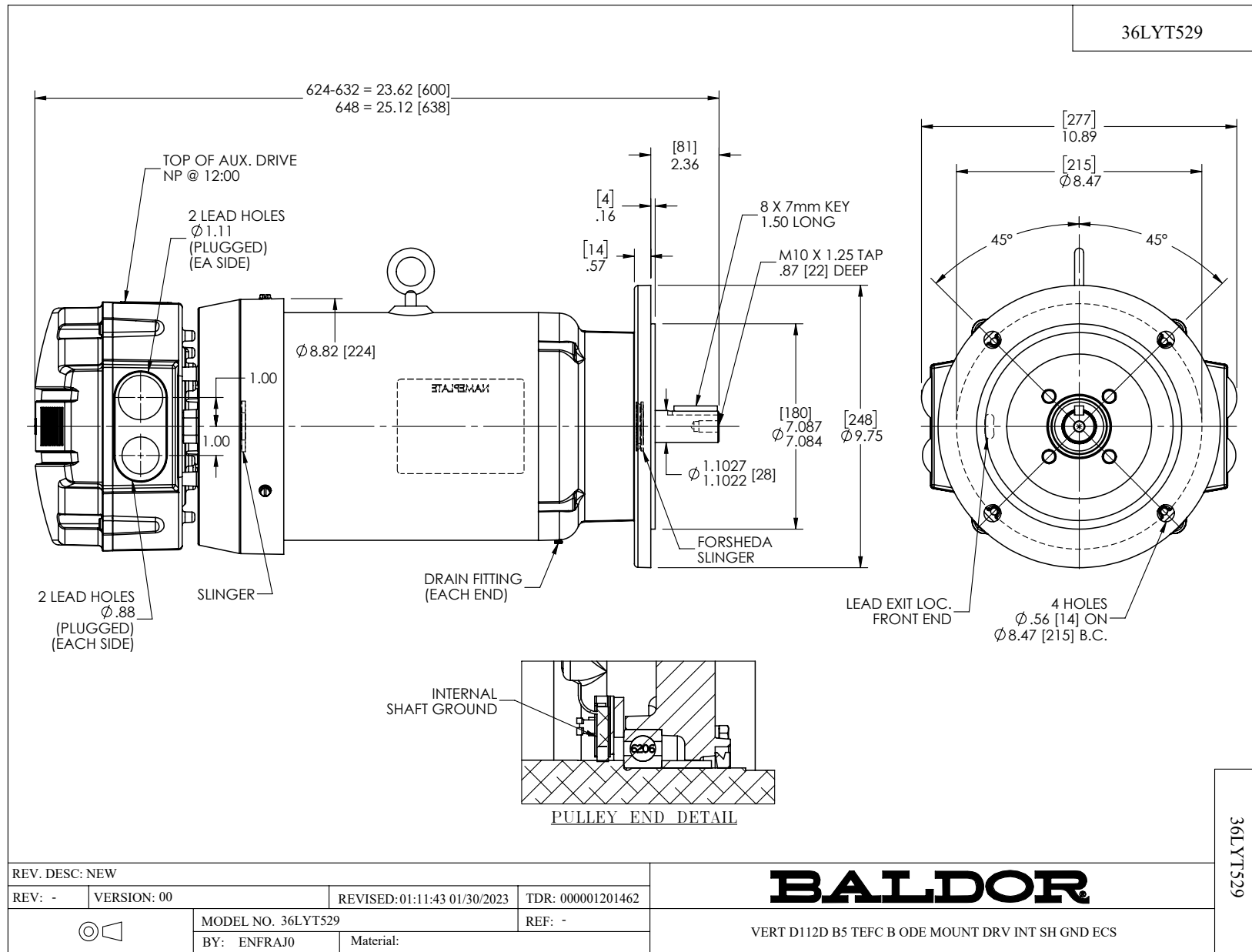
Insulation Class	F
Inverter Code	Inverter Duty
Lifting Lugs	Standard Lifting Lugs
Locked Bearing Indicator	Locked Bearing
Motor Lead Termination	Flying Leads
Motor Standards	IEC
Motor Type	3632B
Mounting Arrangement	B5
Number of Poles	4
Overall Length	23.62 IN
Power Factor	97
Product Family	General Purpose
Pulley Face Code	D-Flange
Rodent Screen	None
Service Factor	1.00
Shaft Diameter	1.103 IN
Shaft Ground Indicator	Shaft Grounding
Shaft Rotation	Reversible
Speed	1500 rpm
Speed Code	Single Speed
Starting Method	INVERTER SPECIAL
Thermal Device - Bearing	None
Thermal Device - Winding	None
Vibration Sensor Indicator	No Vibration Sensor
Winding Thermal 1	None
Winding Thermal 2	None

Nameplate

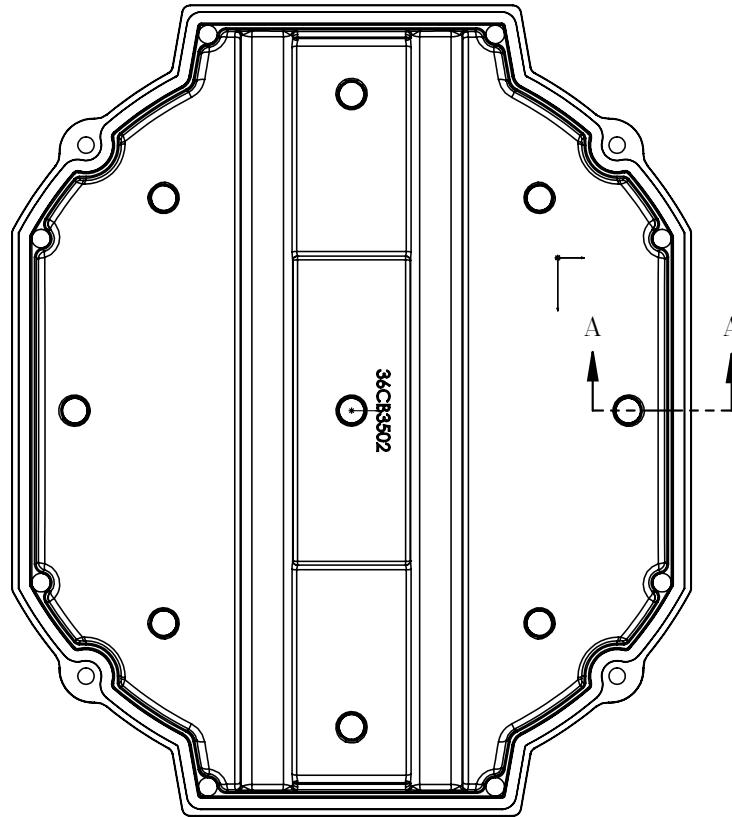
NP3978A00					
PART NO.	ECIN4A9P5				
U1	400	PH	3	HZ	50
I1	8	W/EXT. CHOKE			6.8
SERIAL #					

NP3968B01A01

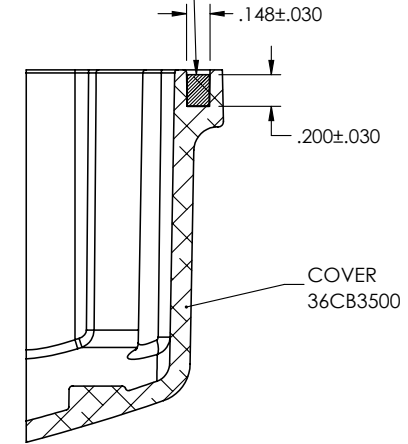
CAT.NO.	ECS101A3K4ED4						
SPEC.	36-0000-3654			YR			
FRAME	D112D	IP	55	WT.	97		
KW	4	HZ	50	PH	3	DUTY-IPM	S1
INS CL	F	CLASS RISE			AMB-C	40	
EFF. CL	IE5	EFF	91.6	COS0	97		
VOLTS	380		FLA	6.8			
1/MIN	1500		1/MIN MAX	3000			
BEMF (V)	210		RS (OHMS)	3.3			
LD (MH)	54		LQ (MH)	191			
VPWM	CP =	50	TO	100			
CT	5	TO	50	VT	1	TO	50
MATCHED INV	ECIN4A9P5						
DE	6206		ODE	6205			
SERIAL #							



36CB3502A00



MATERIAL: RAMPF, RAKU-PUR 32-3280-51L



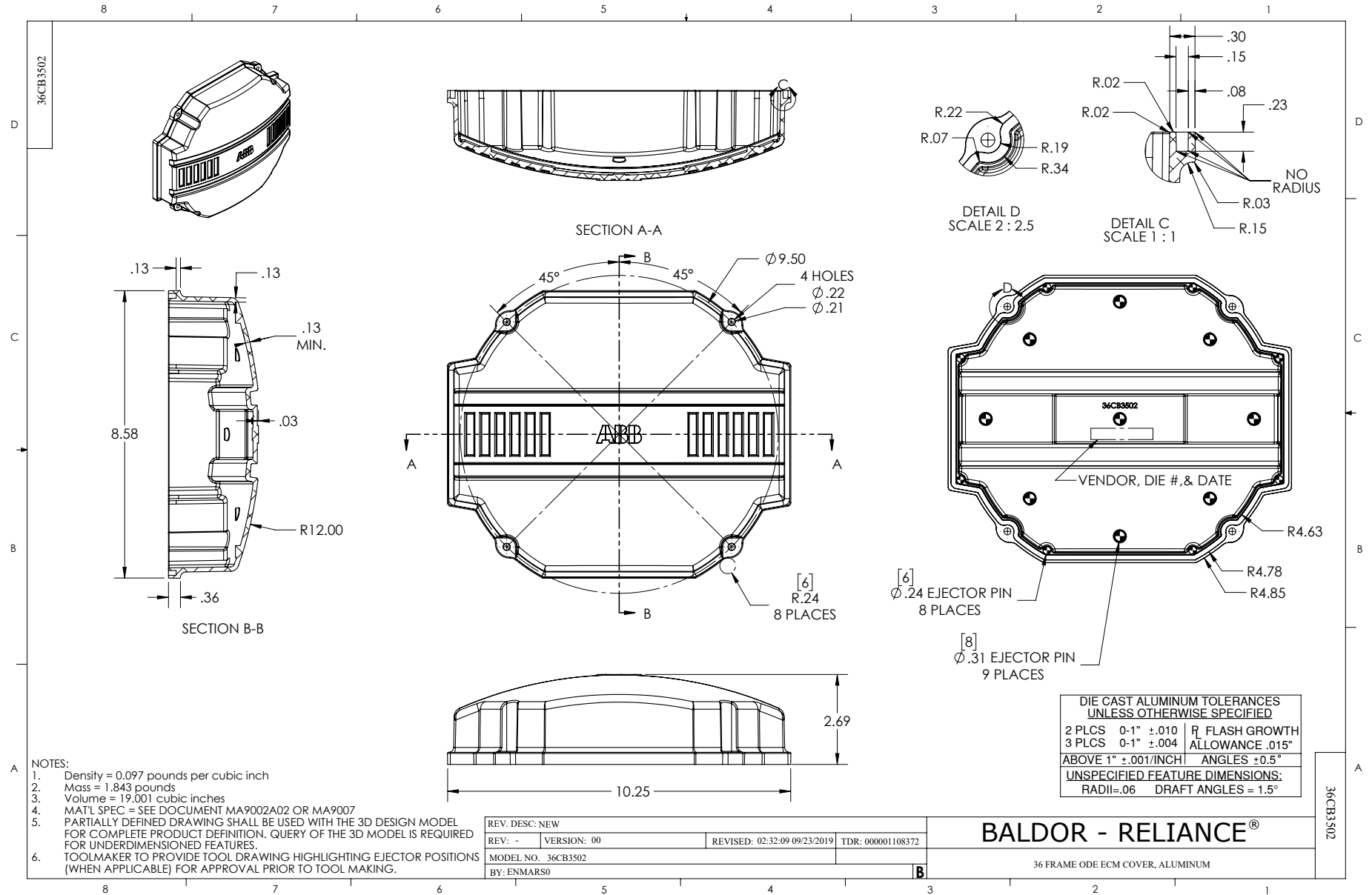
SECTION A-A

36CB3502A00

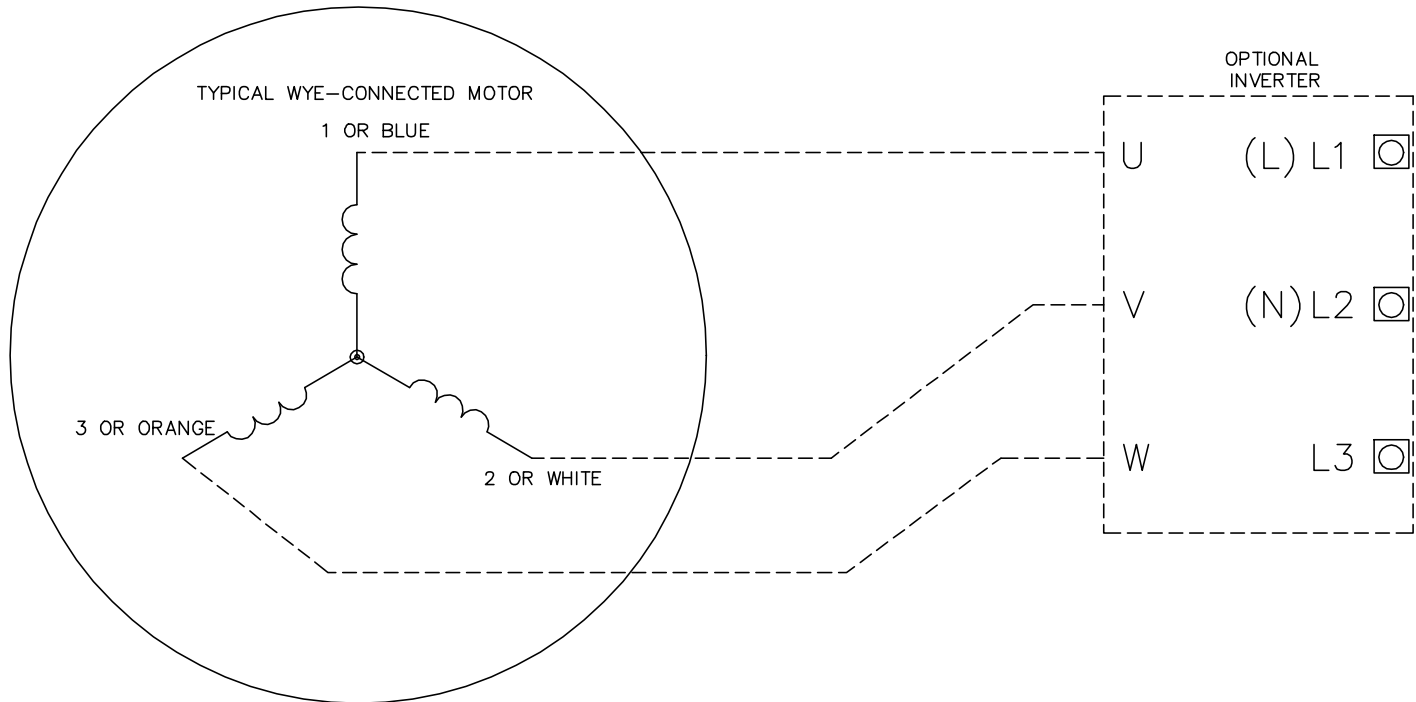
REV. DESC: NEW			
REV: -	VERSION: 00	REVISED: 09:16:43 01/15/2020	TDR: 000001129989
	MODEL NO. 36CB3502A00		REF: -
	BY: ENMARS0	Material: -	

BALDOR - RELIANCE®

36 FRAME ODE ECM ALUMINUM COVER WITH FOAM SEAL



CD0006B03



NOTES:

1. INTERCHANGE ANY TWO LINE LEADS TO REVERSE ROTATION.
2. ACTUAL NUMBER OF INTERNAL PARALLEL CIRCUITS MAY VARY.

CD0006B03

REV. DESC: CHANGE LEAD COLORS TO BLUE WHITE ORANGE		
REV. LTR: A	VERSION: 01	TDR: 000001158598
FILE: \AAA\00252\917	REVISED: 11:01:03 01/19/2021	BY: ENMARSO
MTL: -	© □	

BALDOR - RELIANCE®

3PH, SV, 3 LEADS, WYE CONNECTED, ECS

SH 1 of 1