



Customer information packet

ECS101A3K3EF4

3KW, 1500RPM, 3PH, 50HZ, D112S, 3632B, TEFC, B3

Class - None

Division - Not Applicable

Specifications

Enclosure	TEFC
Frame	D112S
Frame Material	Steel
Frequency	50.00 Hz
Haz Area Class and Group	None
Haz Area Division	Not Applicable
Motor Letter Type	Brushless Wound Field PM Rotor
Output @ Frequency	3.000 KW @ 50 HZ
Phase	3
Synchronous Speed @ Frequency	1500 RPM @ 50 HZ
Voltage @ Frequency	380.0 V @ 50 HZ
Agency Approvals	WEEE UKCA CULUS CE
Ambient Temperature	40 °C
Auxillary Box	No Auxillary Box
Auxillary Box Lead Termination	None
Base Indicator	Rigid
Bearing Grease Type	Polyrex EM (-20F +300F)
Blower	None
Constant Torque Speed Range	5
Current @ Voltage	5.300 A @ 380.0 V
Design Code	B
Drip Cover	No Drip Cover
Duty Rating	S1
Efficiency @ 100% Load	92.4 %
Electrically Isolated Bearing	Not Electrically Isolated
Feedback Device	NO FEEDBACK
Frame Prefix	D
Heater Indicator	No Heater
High Voltage Full Load Amps	5.3 a

Part detail

Revision	C
Type	AC
Mech. spec.	
Base	
Status	PRD/A
Elec. spec.	36WGA0022
Layout	36LYT346
Eff. date	05-08-2024
CD Diagram	CD0006B03
Poles	04
Leads	3#12 15" LONG LEADS
Proprietary	False
Created date	01-11-2023

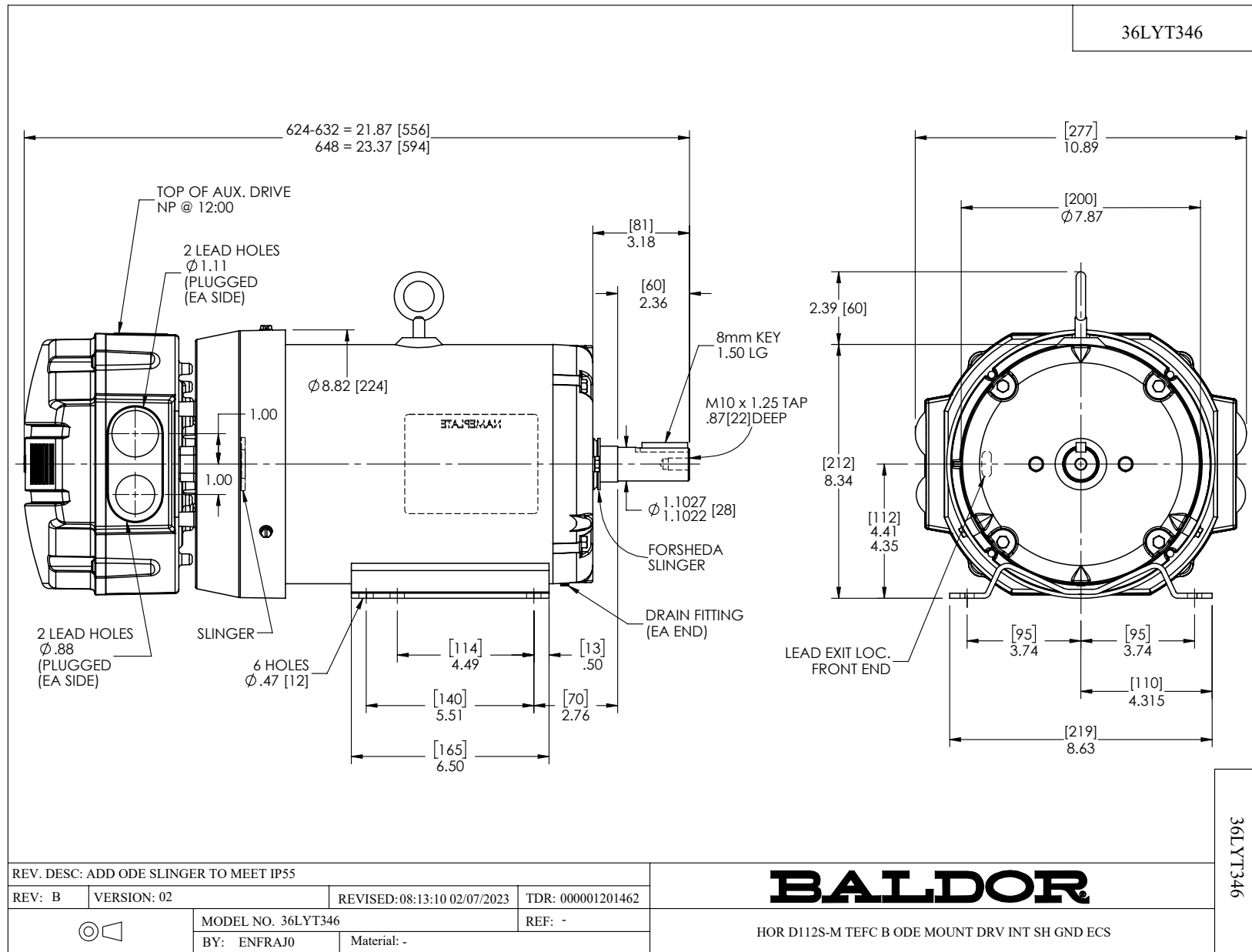
Insulation Class	F
Inverter Code	Inverter Duty
Lifting Lugs	Standard Lifting Lugs
Locked Bearing Indicator	Locked Bearing
Motor Lead Termination	Flying Leads
Motor Standards	IEC
Motor Type	3632B
Mounting Arrangement	B3
Number of Poles	4
Overall Length	21.87 IN
Power Factor	97
Product Family	General Purpose
Pulley Face Code	Standard
Rodent Screen	None
Service Factor	1.00
Shaft Diameter	1.103 IN
Shaft Ground Indicator	Shaft Grounding
Shaft Rotation	Reversible
Speed	1500 rpm
Speed Code	Single Speed
Starting Method	INVERTER SPECIAL
Thermal Device - Bearing	None
Thermal Device - Winding	None
Vibration Sensor Indicator	No Vibration Sensor
Winding Thermal 1	None
Winding Thermal 2	None

Nameplate

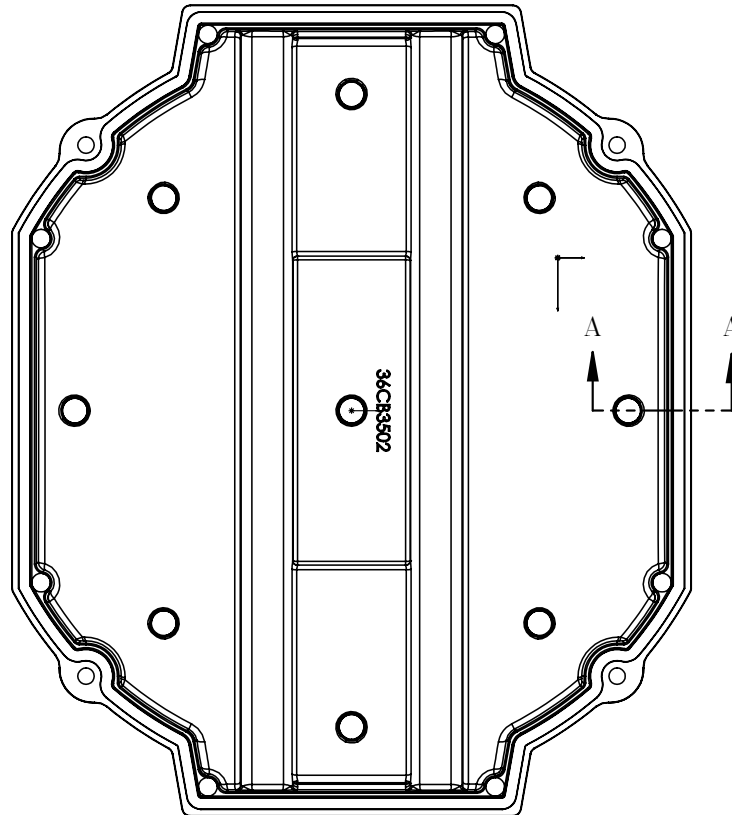
NP3978A00						
PART NO.	ECIN4A5P8					
U1	400	PH	3	HZ	50	
I1	7.1	W/EXT. CHOKE			6	
SERIAL #						

NP3968B01A01

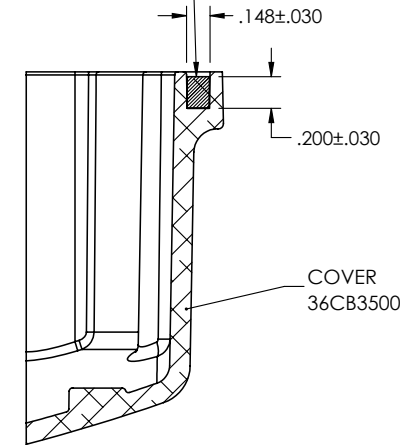
CAT.NO.	ECS101A3K3EF4						
SPEC.	36-0000-3642		YR				
FRAME	D112S	IP	55	WT.	97		
KW	3	HZ	50	PH	3	DUTY-IPM	S1
INS CL	F	CLASS RISE			AMB-C	40	
EFF. CL	IE5	EFF	92.4	COS0	97		
VOLTS	380	FLA	5.3				
1/MIN	1500			1/MIN MAX	3000		
BEMF (V)	210			RS (OHMS)	3.3		
LD (MH)	54			LQ (MH)	191		
VPWM	CP =	50	TO	100			
CT	5	TO	50	VT	1	TO	50
MATCHED INV	ECIN4A5P8						
DE	6206	ODE	6205				
SERIAL #							



36CB3502A00



MATERIAL: RAMPF, RAKU-PUR 32-3280-51L



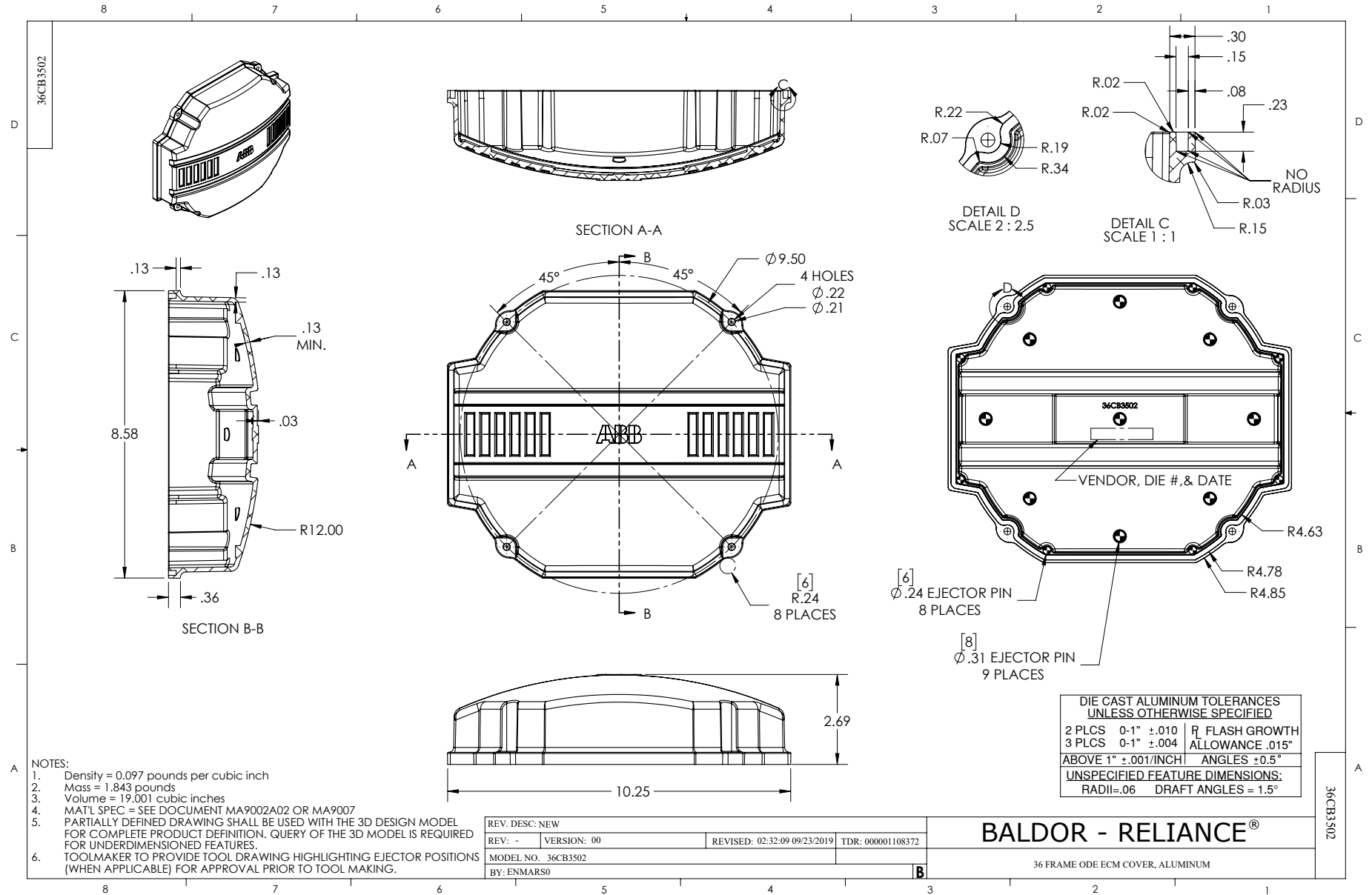
SECTION A-A

36CB3502A00

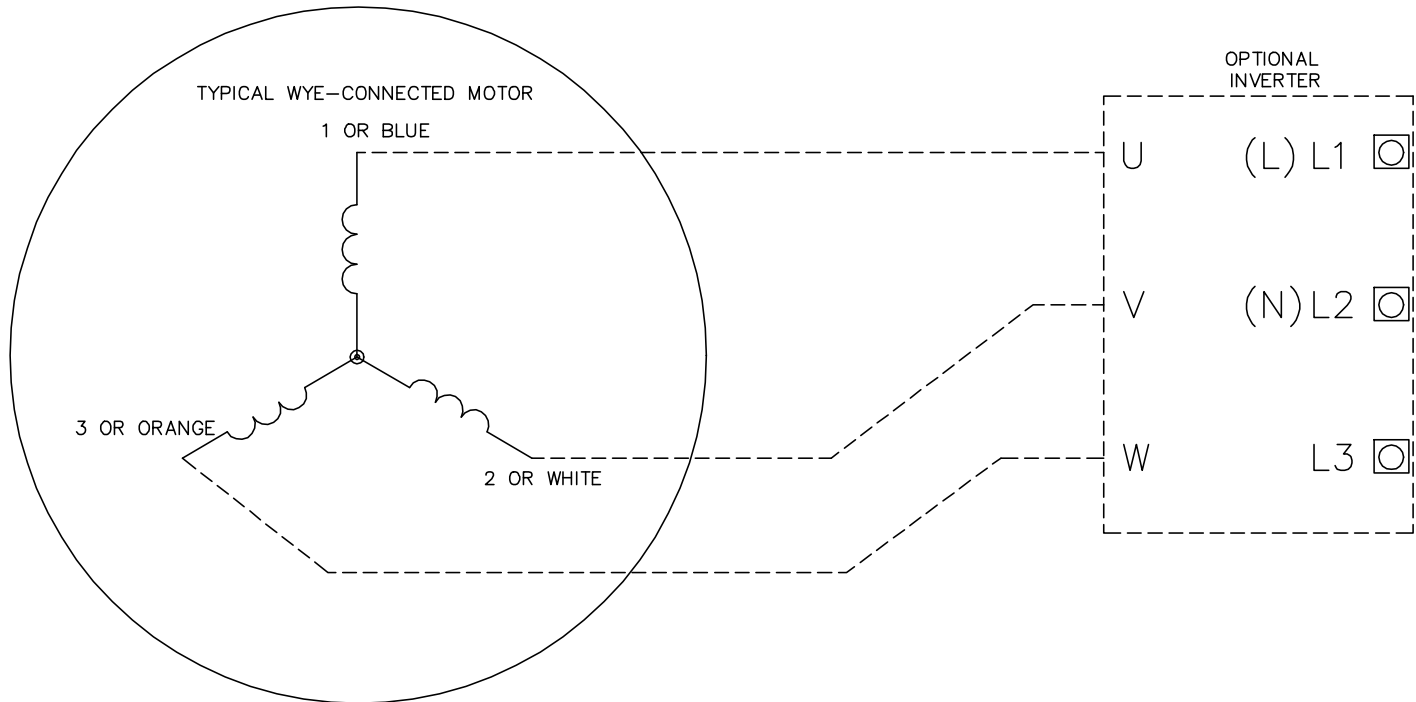
REV. DESC: NEW			
REV: -	VERSION: 00	REVISED: 09:16:43 01/15/2020	TDR: 000001129989
	MODEL NO. 36CB3502A00		REF: -
	BY: ENMARS0	Material: -	

BALDOR - RELIANCE®

36 FRAME ODE ECM ALUMINUM COVER WITH FOAM SEAL



CD0006B03



NOTES:

1. INTERCHANGE ANY TWO LINE LEADS TO REVERSE ROTATION.
2. ACTUAL NUMBER OF INTERNAL PARALLEL CIRCUITS MAY VARY.

CD0006B03

REV. DESC: CHANGE LEAD COLORS TO BLUE WHITE ORANGE		
REV. LTR: A	VERSION: 01	TDR: 000001158598
FILE: \AAA\00252\917	REVISED: 11:01:03 01/19/2021	BY: ENMARSO
MTL: -	© □	

BALDOR - RELIANCE®

3PH, SV, 3 LEADS, WYE CONNECTED, ECS

SH 1 of 1