

ABB BALDOR RELIANCE III

Customer information packet

ECS101A3K2P2EF4

2.2KW, 1500RPM, 3PH, 50HZ, D112S, 3624B, TEFC

Class - None

Division - Not Applicable

Specifications

Enclosure	TEFC
Frame	D112S
Frame Material	Steel
Frequency	50.00 Hz
Haz Area Class and Group	None
Haz Area Division	Not Applicable
Motor Letter Type	Brushless Wound Field PM Rotor
Output @ Frequency	2.200 KW @ 50 HZ
Phase	3
Synchronous Speed @ Frequency	1500 RPM @ 50 HZ
Voltage @ Frequency	380.0 V @ 50 HZ
Agency Approvals	WEEE UKCA CULUS CE
Ambient Temperature	40 °C
Auxiliary Box	NO AUXILLARY BOX
Auxiliary Box Lead Termination	None
Base Indicator	Rigid
Bearing Grease Type	Polyrex EM (-20F +300F)
Blower	None
Constant Torque Speed Range	5
Current @ Voltage	4.400 A @ 380.0 V
Design Code	B
Drip Cover	No Drip Cover
Duty Rating	CONT
Efficiency @ 100% Load	91.4 %
Electrically Isolated Bearing	Not Electrically Isolated
Feedback Device	NO FEEDBACK
Frame Prefix	D
Heater Indicator	No Heater
High Voltage Full Load Amps	4.4 a

Part Detail

Revision	E
Type	AC
Mech. spec.	
Base	
Status	PRD/A
Elec. spec.	36WGA0025
Layout	36LYT346
Eff. date	11-15-2024
CD Diagram	CD0006B03
Poles	04
Leads	3#16 15" LONG LEADS
Proprietary	False
Created date	01-11-2023

Insulation Class	F
Inverter Code	Inverter Duty
Lifting Lugs	Standard Lifting Lugs
Locked Bearing Indicator	Locked Bearing
Motor Lead Termination	Flying Leads
Motor Standards	IEC
Motor Type	3624B
Mounting Arrangement	B3
Number of Poles	4
Overall Length	21.87 IN
Power Factor	96
Product Family	General Purpose
Pulley Face Code	Standard
Rodent Screen	None
Service Factor	1.00
Shaft Diameter	1.103 IN
Shaft Ground Indicator	Shaft Grounding
Shaft Rotation	Reversible
Speed	1500 rpm
Speed Code	Single Speed
Starting Method	INVERTER SPECIAL
Thermal Device - Bearing	None
Thermal Device - Winding	None
Vibration Sensor Indicator	No Vibration Sensor
Winding Thermal 1	None
Winding Thermal 2	None

Nameplate

NP3978A00					
PART NO.	ECIN4A5P8				
U1	400	PH	3	HZ	50
I1	5.2	W/EXT. CHOKE			4.3
SERIAL #					

NP3968B01A01

CAT.NO.	ECS101A3K2P2EF4									
SPEC.	36-0000-3641				YR					
FRAME	D112S	IP	55	WT.	84					
KW	2.2	HZ	50	PH	3	DUTY-IPM	CONT			
INS CL	F	CLASS RISE			AMB-C	40				
EFF. CL	IE5	EFF	91.4	COSφ	96					
VOLTS	380		FLA	4.4						
1/MIN	1500			1/MIN MAX	3000					
BEMF (V)	177			RS (OHMS)	3.88					
LD (MH)	57.7			LQ (MH)	217.7					
VPWM	CP =	50		TO	100					
CT	5	TO	50	VT	1	TO	100			
MATCHED INV	ECIN4A5P8									
DE	6206		ODE	6205						
SERIAL #										

Volts	380	Max RPM	3000	Conn Diag.	CD0006B03	Leads	3
Amps	4.4	Max Amps		Cs Diagram	CS1126	BEMF	172
KW	2.2	VFD#	ECIN4A5P8			LD	51
RPM	1500	S.F.	1.00			LQ	177
Phase/Hz	3/50	Rating	40C AMB CONT			Rs	3.8250 Meas. L-L

60034-2-3 Motor Performance at Standardized Operating Points

	RPM	% Speed	LB-FT	% Torque	KW	Efficiency	Loss (% FL)	Watts Loss (W)
P1	1348	90%	10.3	100%	2.7	90.2	9.85%	217
P2	750	50%	10.3	100%	1.5	87.3	7.27%	160
P3	366	25%	10.3	100%	0.7	79.7	6.21%	137
P4	1350	90%	5.2	50%	1.3	92.2	3.83%	84
P5	750	50%	5.2	50%	0.7	89.6	2.91%	64
P6	750	50%	2.6	25%	0.4	89.4	1.48%	33
P7	366	25%	2.6	25%	0.2	84.8	1.09%	24

61800-9-2 PDS Performance at Reference Operating Points

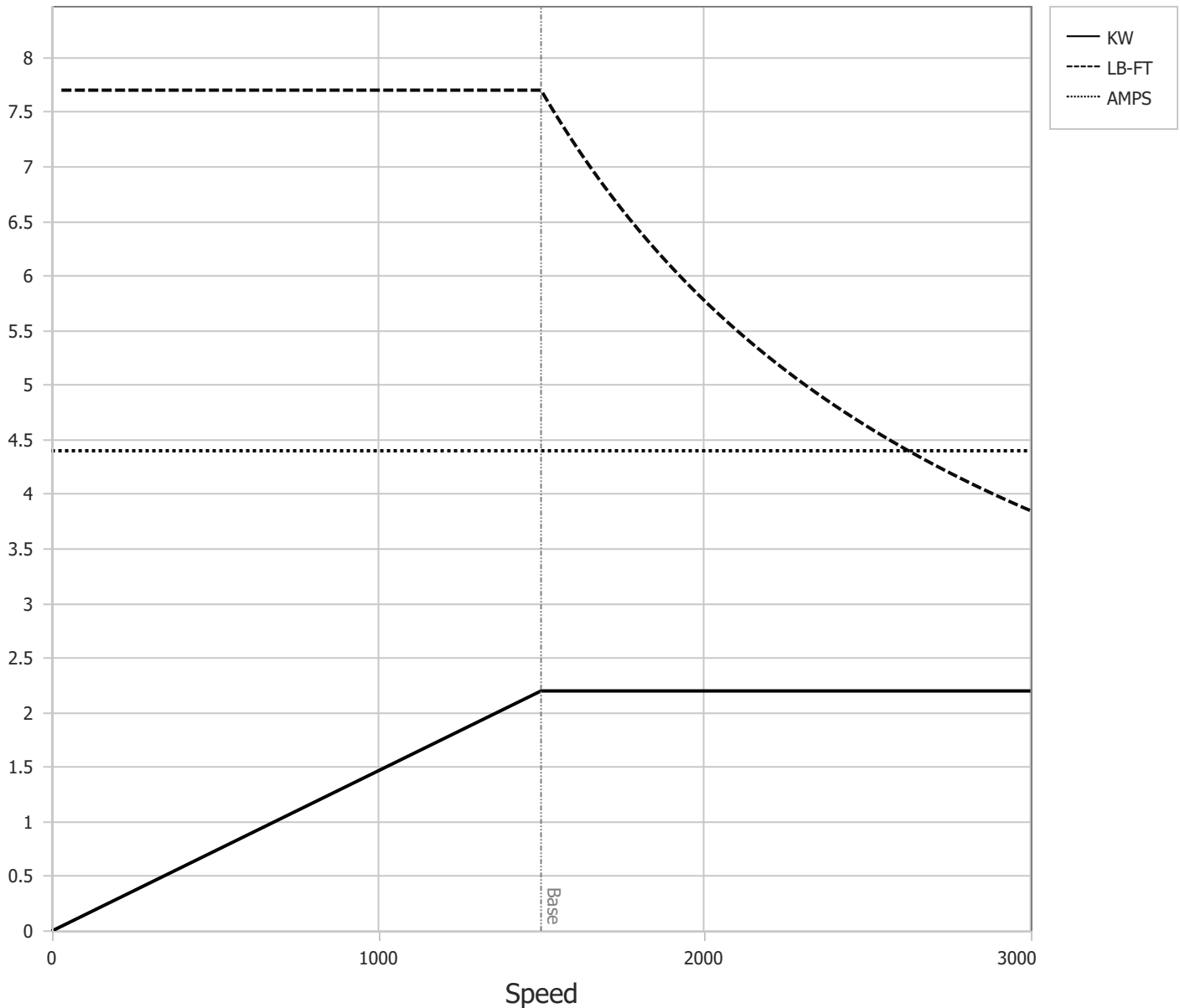
	RPM	% Speed	LB-FT	% Torque	KW	System Efficiency	Loss (% FL)	Watts Loss (W)
P1	1498	100%	10.3	100%	2.9	89.8	11.29%	248
P2	750	50%	10.3	100%	1.5	84.1	9.44%	208
P3	246	17%	10.3	100%	0.5	67.2	8.00%	176
P4	1500	100%	5.2	50%	1.5	90.2	5.41%	119
P5	750	50%	5.2	50%	0.7	85.5	4.24%	93
P6	246	17%	5.2	50%	0.2	69.9	3.53%	78
P7	750	50%	2.6	25%	0.4	83.9	2.40%	53
P8	246	17%	2.6	25%	0.1	68.2	1.91%	42

Points not taken in certified order.

BALDOR • RELIANCE	DR By:	<u>R & D</u>	AC MOTOR PERFORMANCE CURVES	36WGA0025 36-0000-3655 Test - 111775
	CK By:	<u>USBIBAK</u>		
	APP By:	<u>USJAROB1</u>		
	Date:	<u>01/07/2025</u>		

Volts	380	Max RPM	3000	Conn Diag.	CD0006B03	Leads	3
Amps	4.4	Max Amps		Cs Diagram	CS1126	BEMF	172
KW	2.2	VFD #	ECIN4A5P8			LD	51
RPM	1500	S.F.	1.00			LQ	177
Phase/Hz	3/50	Rating	40C AMB CONT			Rs	3.8250 Meas L-L

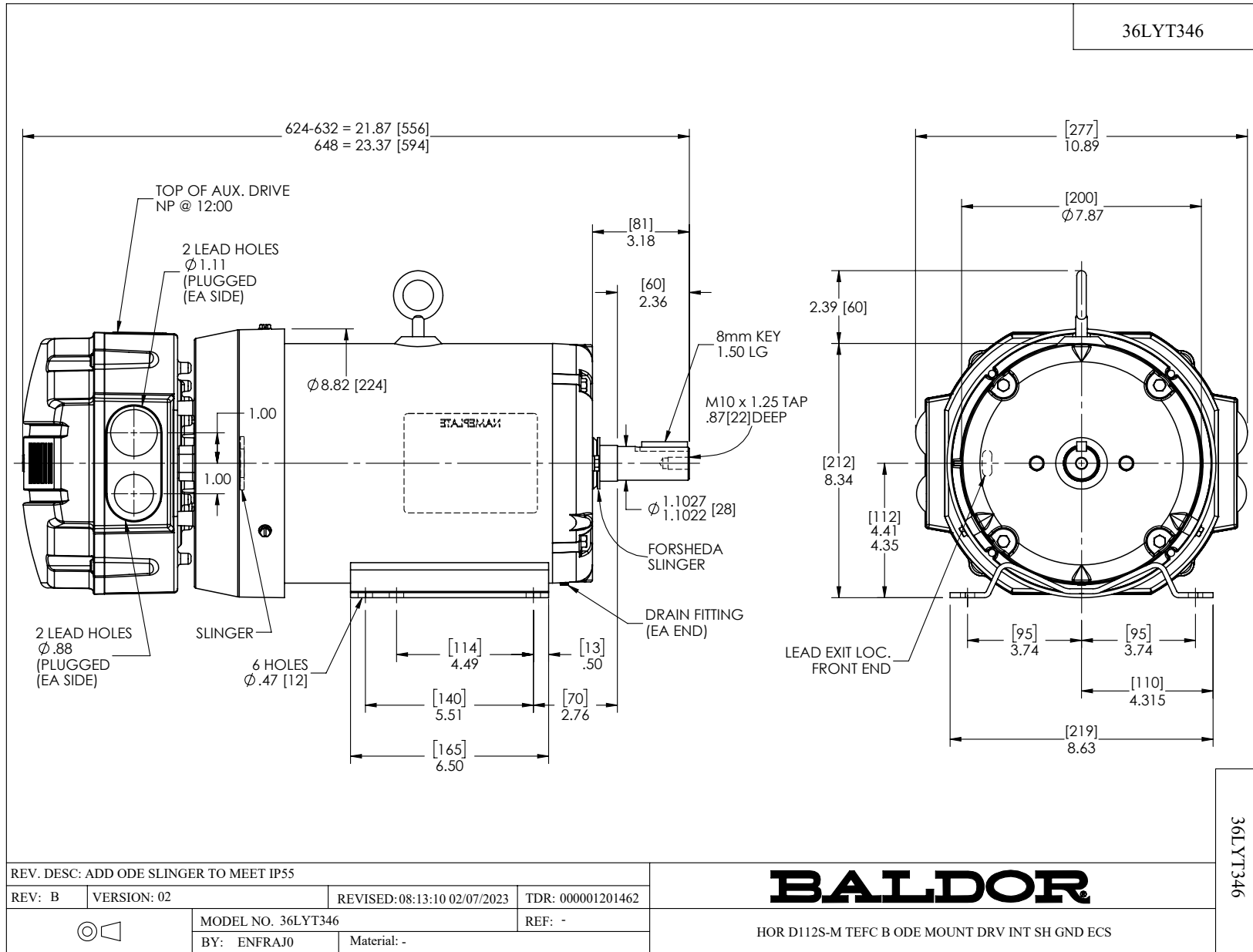
Constant Duty Operating Range



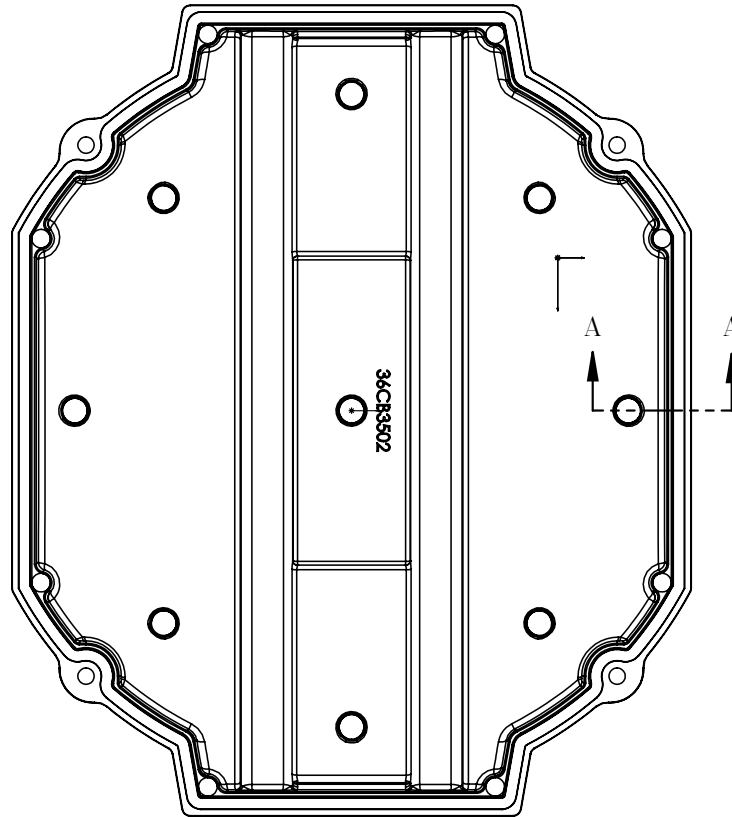
DR By: R & D
 CK By: USBIBAK
 APP By: USJAROB1
 Date: 01/07/2025

**AC MOTOR
PERFORMANCE
CURVES**

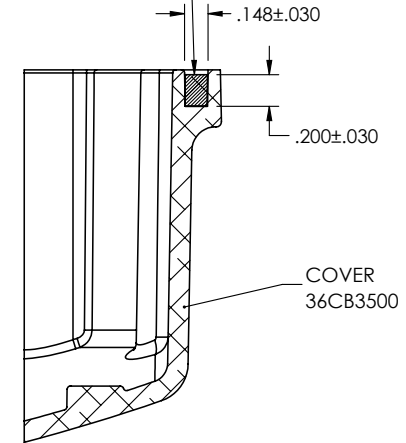
36WGA0025
 36-0000-3655
 Test - 111775



36CB3502A00



MATERIAL: RAMPF, RAKU-PUR 32-3280-51L



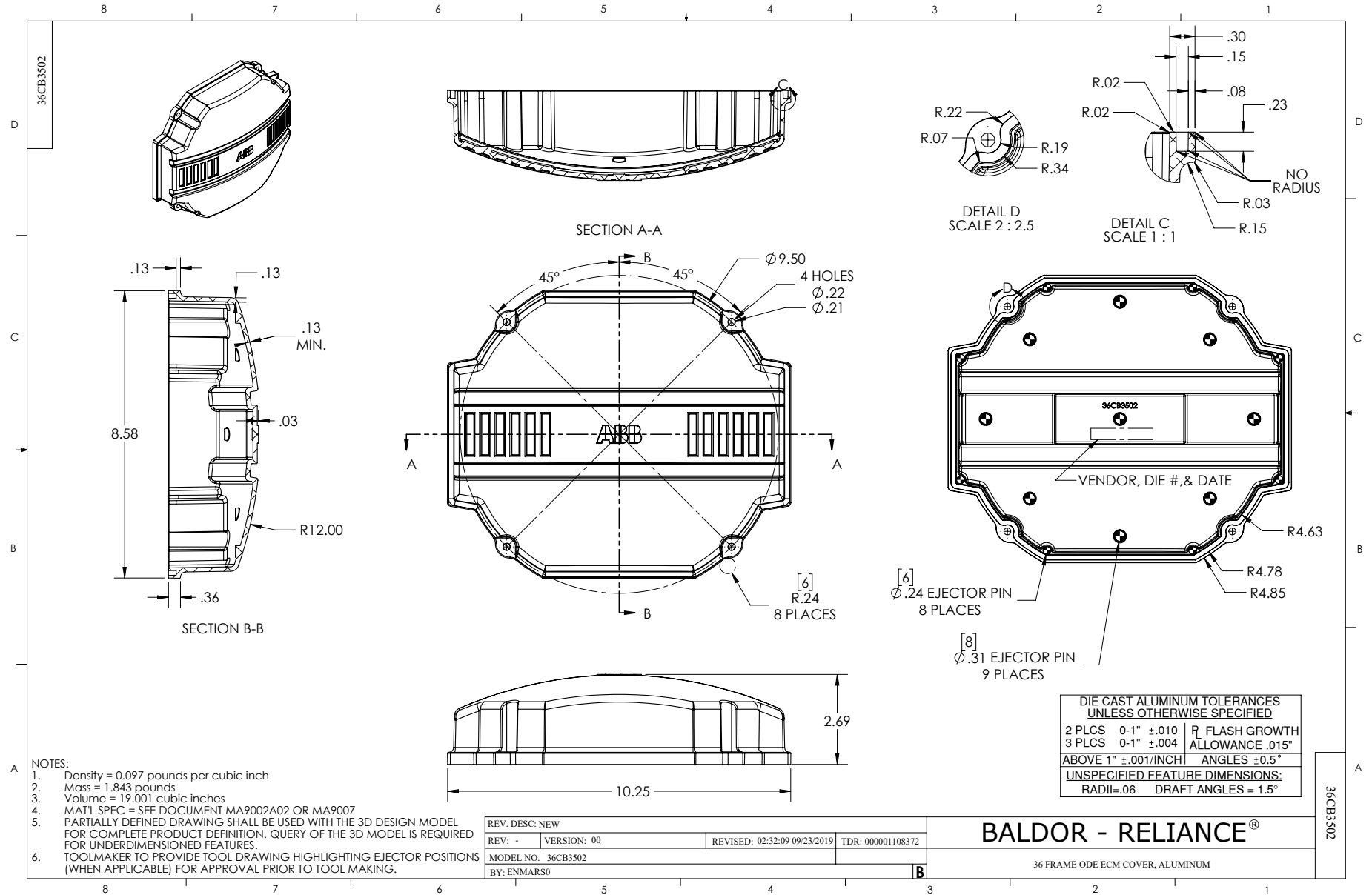
SECTION A-A

36CB3502A00

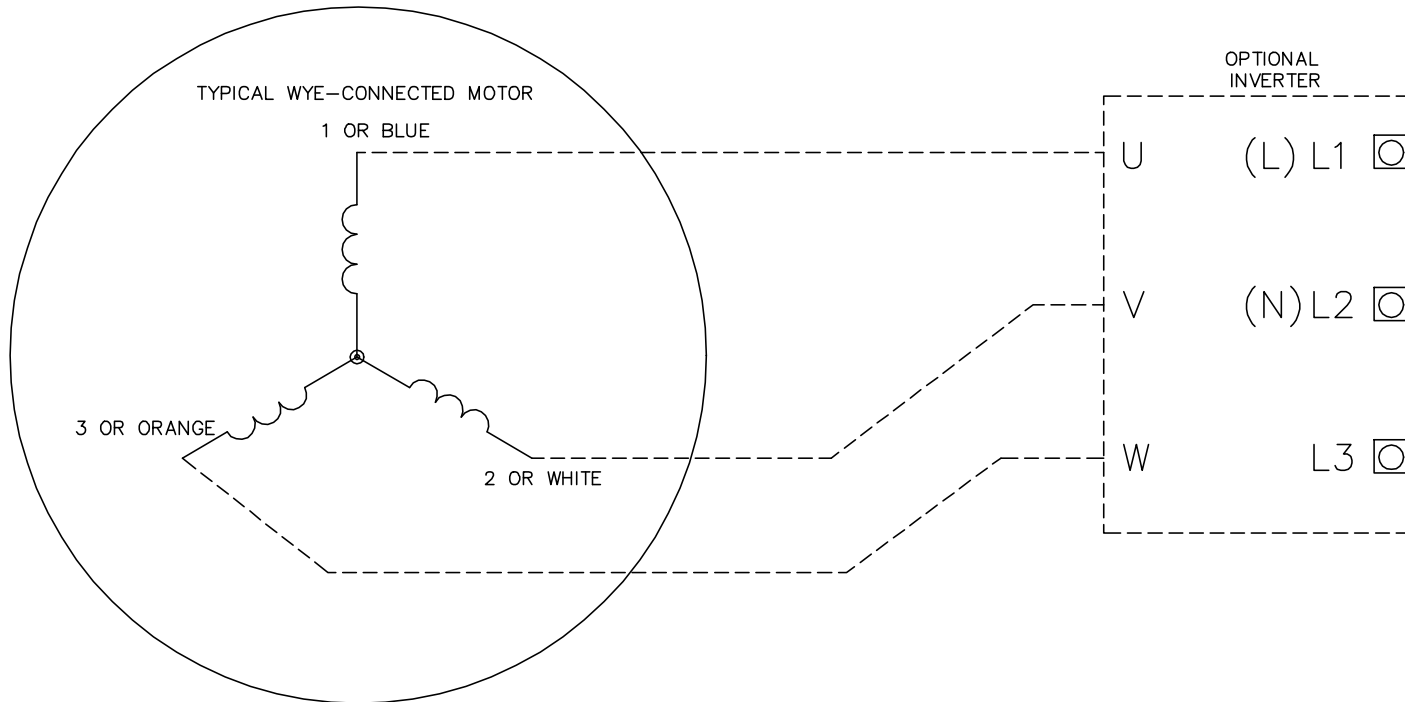
REV. DESC: NEW			
REV: -	VERSION: 00	REVISED: 09:16:43 01/15/2020	TDR: 000001129989
	MODEL NO. 36CB3502A00		REF: -
	BY: ENMARS0	Material: -	

BALDOR - RELIANCE®

36 FRAME ODE ECM ALUMINUM COVER WITH FOAM SEAL



CD0006B03



NOTES:

1. INTERCHANGE ANY TWO LINE LEADS TO REVERSE ROTATION.
2. ACTUAL NUMBER OF INTERNAL PARALLEL CIRCUITS MAY VARY.

CD0006B03

REV. DESC: CHANGE LEAD COLORS TO BLUE WHITE ORANGE		
REV. LTR: A	VERSION: 01	TDR: 000001158598
FILE: \AAA\00252\917	REVISED: 11:01:03 01/19/2021	BY: ENMARSO
MTL: -	© □	

BALDOR - RELIANCE®

3PH, SV, 3 LEADS, WYE CONNECTED, ECS

SH 1 of 1