

**BALDOR • RELIANCE**

---

# Customer information packet

## ECS100T4H7FB4

7.5HP, 1800RPM, 3PH, 60HZ, 213TC, TEFC, TOP

Class - None

Division - Not Applicable

## Specifications

Enclosure	TEFC
Frame	213TC
Frame Material	Steel
Frequency	60.00 Hz
Haz Area Class and Group	None
Haz Area Division	Not Applicable
Motor Letter Type	Three Phase
Output @ Frequency	7.500 HP @ 60 HZ
Phase	3
Synchronous Speed @ Frequency	1800 RPM @ 60 HZ
Voltage @ Frequency	460.0 V @ 60 HZ
Agency Approvals	UL WEEE
Ambient Temperature	40 °C
Auxillary Box	No Auxillary Box
Auxillary Box Lead Termination	None
Base Indicator	Rigid
Bearing Grease Type	Polyrex EM (-20F +300F)
Blower	None
Constant Torque Speed Range	6
Current @ Voltage	8.700 A @ 460.0 V
Drip Cover	No Drip Cover
Duty Rating	CONT
Efficiency @ 100% Load	94.7 %
Electrically Isolated Bearing	Not Electrically Isolated
Feedback Device	NO FEEDBACK
Heater Indicator	No Heater
High Voltage Full Load Amps	8.7 a
Insulation Class	F
Inverter Code	Inverter Duty
IP Rating	NONE
Lifting Lugs	Standard Lifting Lugs

## Part detail

Revision	F
Type	AC
Mech. spec.	
Base	
Status	PRD/A
Elec. spec.	37WGA0020
Layout	37LYQ485
Eff. date	07-09-2024
CD Diagram	CD0006B03
Poles	04
Leads	3#12 19" LONG LEADS
Proprietary	False
Created date	08-31-2020

<b>Locked Bearing Indicator</b>	Locked Bearing
<b>Motor Lead Termination</b>	Flying Leads
<b>Motor Standards</b>	NEMA
<b>Motor Type</b>	3730B
<b>Mounting Arrangement</b>	F1
<b>Number of Poles</b>	4
<b>Overall Length</b>	18.84 IN
<b>Power Factor</b>	92
<b>Product Family</b>	General Purpose
<b>Pulley Face Code</b>	C-Face
<b>Rodent Screen</b>	None
<b>Service Factor</b>	1.00
<b>Shaft Diameter</b>	1.375 IN
<b>Shaft Ground Indicator</b>	Shaft Grounding
<b>Shaft Rotation</b>	Reversible
<b>Speed</b>	1800 rpm
<b>Speed Code</b>	Single Speed
<b>Starting Method</b>	Direct on line
<b>Thermal Device - Bearing</b>	None
<b>Thermal Device - Winding</b>	None
<b>Vibration Sensor Indicator</b>	No Vibration Sensor
<b>Winding Thermal 1</b>	None
<b>Winding Thermal 2</b>	None

**Nameplate**

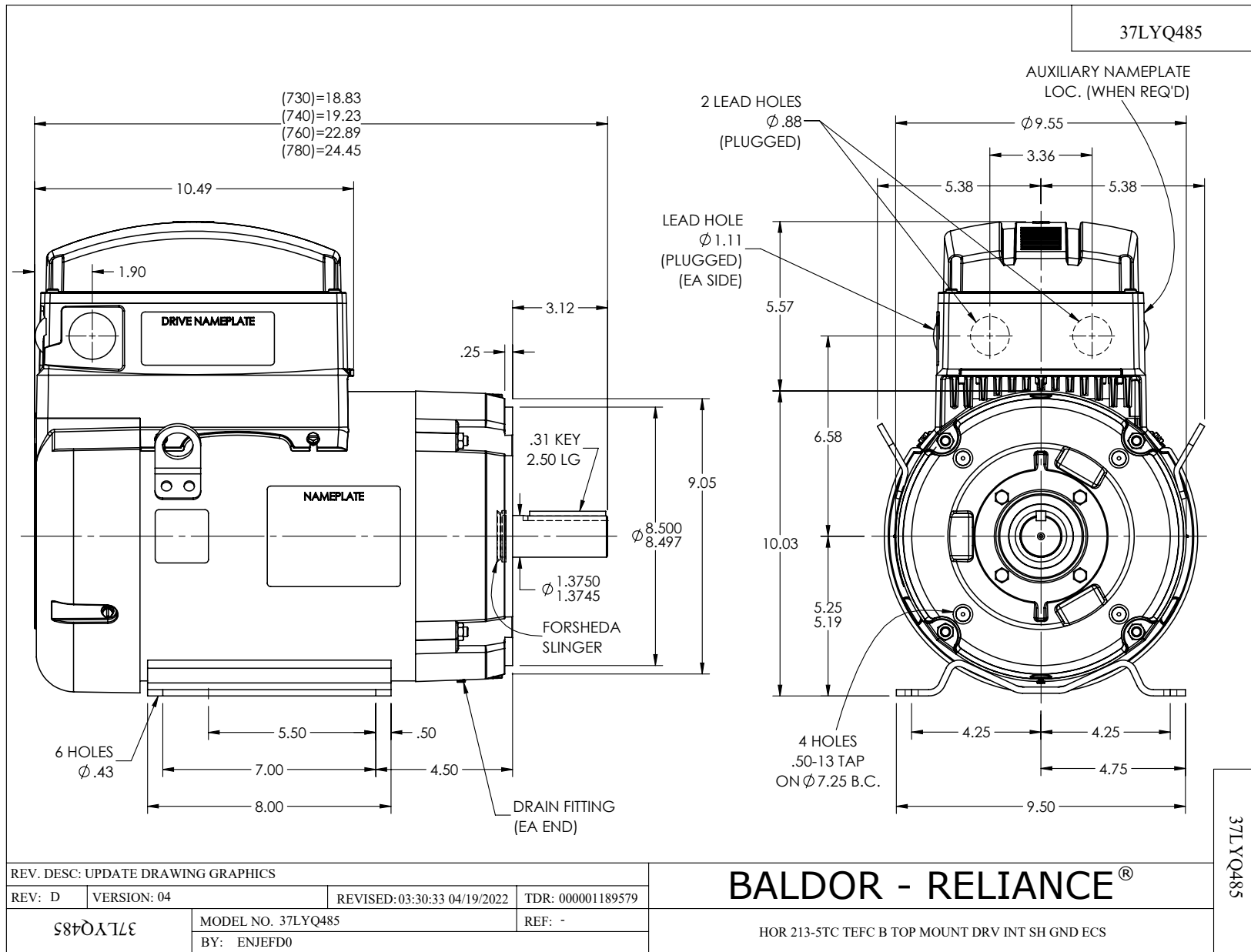
---

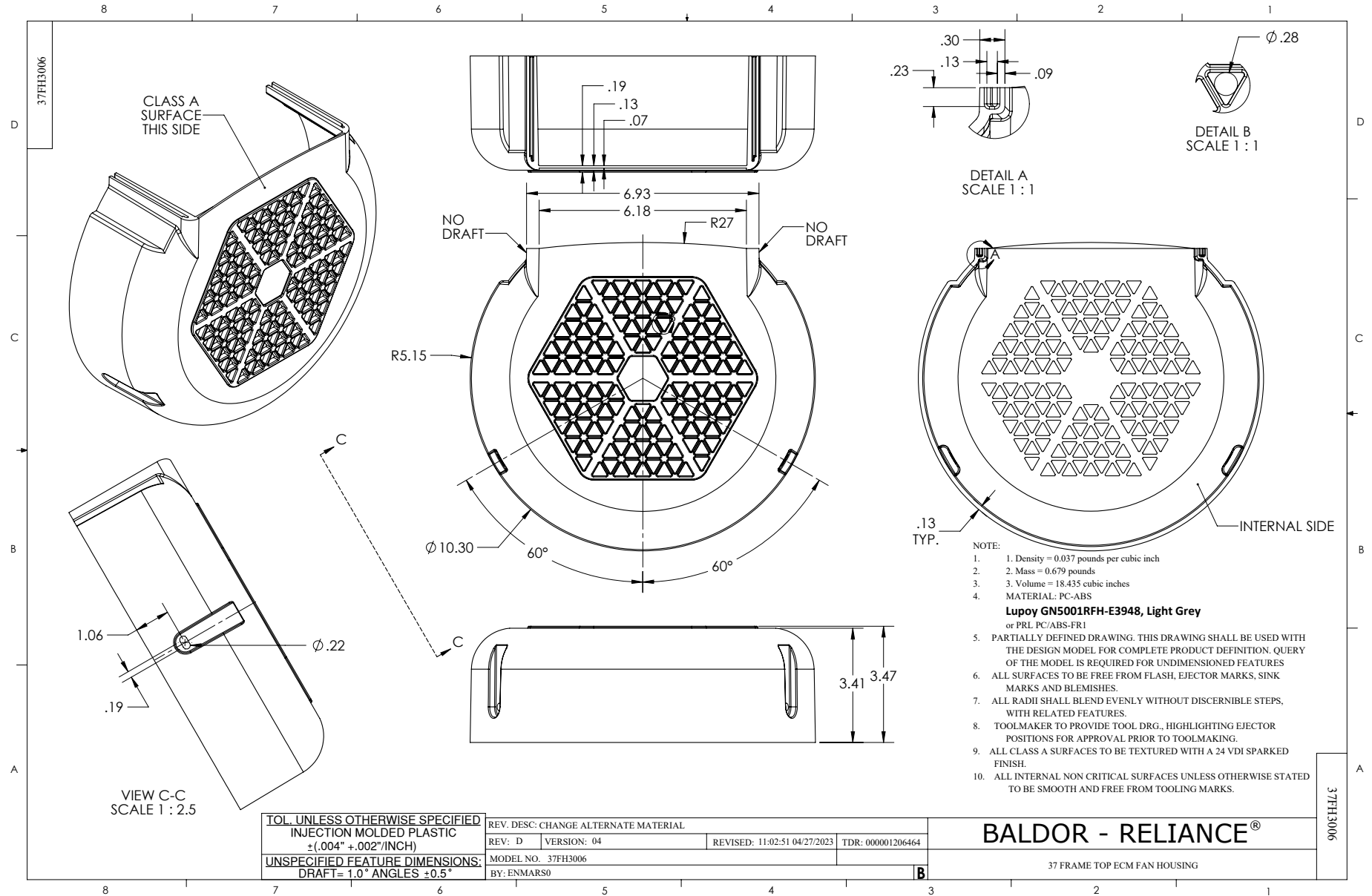
<b>NP3978A01</b>					
<b>PART NO.</b>	ECI4A9P5				
<b>U1</b>	480	<b>PH</b>	3	<b>HZ</b>	60
<b>I1</b>	9.5	<b>W/EXT. CHOKE</b>			7.6
<b>SERIAL #</b>					

---

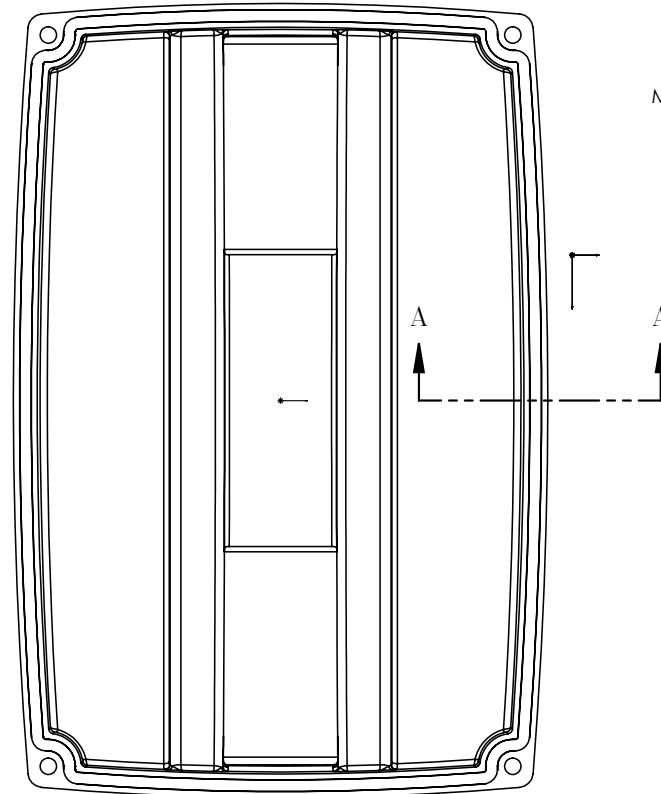
**NP3968A01A01**

<b>CAT.NO.</b>	ECS100T4H7FB4						
<b>SPEC.</b>	37-0001565						
<b>FRAME</b>	213TC	<b>ENCL.</b>	TEFC	<b>IP</b>	54		
<b>HP</b>	7.5	40	<b>C AMB</b>	CONT			
<b>NOM. EFF.</b>	94.7	<b>PF</b>	92	<b>SF</b>	1		
<b>VOLTS</b>	460		<b>FLA</b>	8.874			
<b>RPM</b>	1800		<b>RPM-MAX</b>	3000			
<b>HZ</b>	60		<b>PH.</b>	3	<b>CLASS</b>	F	
<b>BEMF (V)</b>	225		<b>RS (OHMS)</b>	1.39			
<b>LD (MH)</b>	28.09		<b>LQ (MH)</b>	80.586			
<b>VPWM</b>	<b>CHP</b>	60	<b>TO</b>	100			
<b>CT</b>	6	<b>TO</b>	60	<b>VT</b>	1	<b>TO</b>	100
<b>MATCHED INV</b>	ECI4A9P5						
<b>DE</b>	6307		<b>ODE</b>	6206			
<b>SERIAL #</b>							

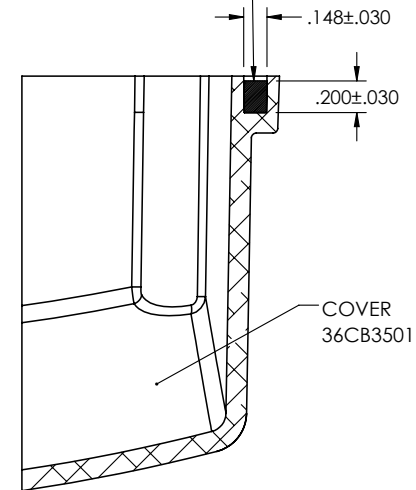




36CB3501A00



MATERIAL: RAMPF, RAKU-PUR 32-3280-51L



SECTION A-A

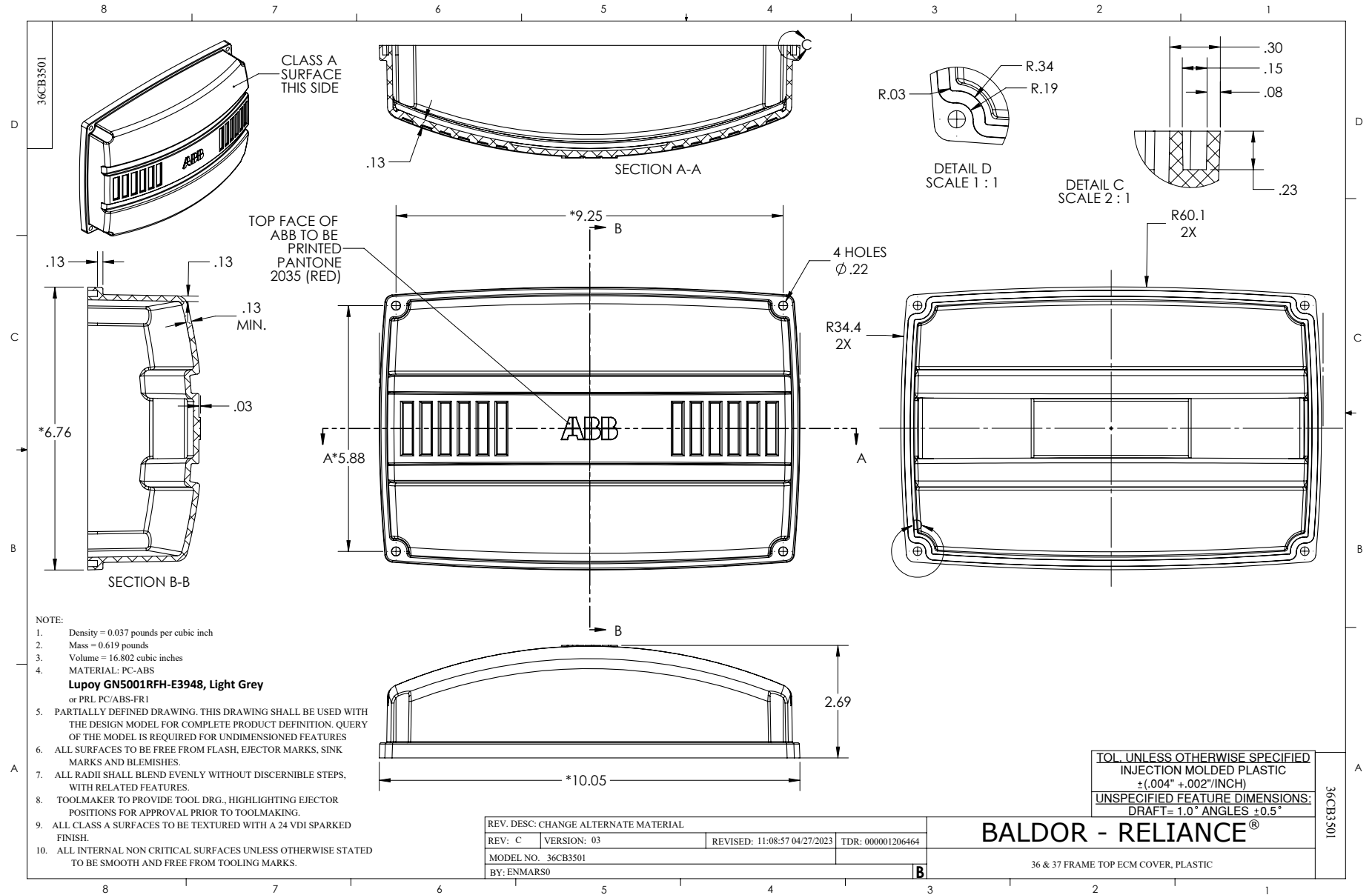
36CB3501A00

REV. DESC: UPDATE MATERIAL			
REV: A	VERSION: 01	REVISED: 10:46:37 03/29/2019	TDR: 000001101646
	MODEL NO. 36CB3501A00		REF: -
	BY: ENMARS0	Material: -	

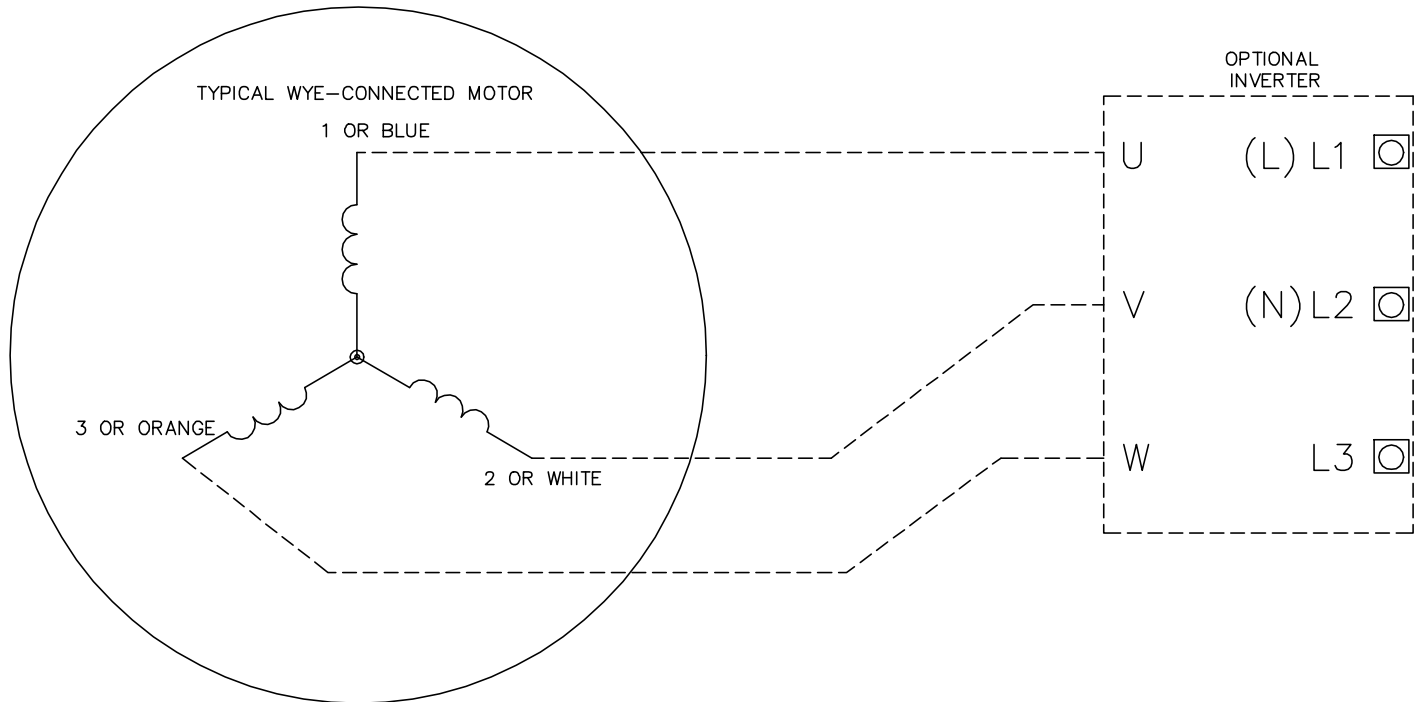
**BALDOR - RELIANCE®**

36 & 37 FRAME TOP ECM COVER WITH FOAM SEAL





CD0006B03



**NOTES:**

1. INTERCHANGE ANY TWO LINE LEADS TO REVERSE ROTATION.
2. ACTUAL NUMBER OF INTERNAL PARALLEL CIRCUITS MAY VARY.

CD0006B03

REV. DESC: CHANGE LEAD COLORS TO BLUE WHITE ORANGE		
REV. LTR: A	VERSION: 01	TDR: 000001158598
FILE: \AAA\00252\917	REVISED: 11:01:03 01/19/2021	BY: ENMARSO
MTL: -	© □	

**BALDOR - RELIANCE®**

3PH, SV, 3 LEADS, WYE CONNECTED, ECS

SH 1 of 1