

**BALDOR • RELIANCE**

---

# Customer information packet

## ECS100T4H5EF4

5HP, 1800RPM, 3PH, 60HZ, 184T, TEFC, TOP

Class - None

Division - Not Applicable

## Specifications

Enclosure	TEFC
Frame	184T
Frame Material	Steel
Frequency	60.00 Hz
Motor Letter Type	Three Phase
Phase	3
XP Class and Group	None
XP Division	Not Applicable
Agency Approvals	UL WEEE
Auxillary Box	No Auxillary Box
Auxillary Box Lead Termination	None
Base Indicator	Rigid
Bearing Grease Type	Polyrex EM (-20F +300F)
Blower	None
Constant Torque Speed Range	6
Design Code	B
Drip Cover	No Drip Cover
Electrically Isolated Bearing	Not Electrically Isolated
Feedback Device	NO FEEDBACK
Heater Indicator	No Heater
Inverter Code	Inverter Duty
IP Rating	NONE
Lifting Lugs	Standard Lifting Lugs
Locked Bearing Indicator	Locked Bearing
Motor Lead Quantity/Wire Size	3 @ 14 AWG
Motor Lead Termination	Flying Leads
Motor Standards	NEMA
Motor Type	3632B
Mounting Arrangement	F1
Number of Poles	4
Overall Length	16.71 IN

## Part detail

Revision	K
Type	AC
Mech. spec.	36T258
Base	
Status	PRD/A
Elec. spec.	36WGL097
Layout	36LYT258
Eff. date	10-25-2022
CD Diagram	CD0006
Poles	04
Leads	3#14
Proprietary	False
Created date	12-11-2019

<b>Product Family</b>	General Purpose
<b>Pulley Face Code</b>	Standard
<b>Rodent Screen</b>	None
<b>RoHS Status</b>	ROHS COMPLIANT
<b>Shaft Diameter</b>	1.125 IN
<b>Shaft Ground Indicator</b>	Shaft Grounding
<b>Shaft Rotation</b>	Reversible
<b>Speed Code</b>	Single Speed
<b>Starting Method</b>	INVERTER SPECIAL
<b>Thermal Device - Bearing</b>	None
<b>Thermal Device - Winding</b>	None
<b>Vibration Sensor Indicator</b>	No Vibration Sensor
<b>Winding Thermal 1</b>	None
<b>Winding Thermal 2</b>	None

**Nameplate**

<b>NP3968A01A01</b>									
<b>CAT.NO.</b>	ECS100T4H5EF4								
<b>SPEC.</b>	36T258L097G1								
<b>FRAME</b>	184T		<b>ENCL.</b>	TEFC	<b>IP</b>	54			
<b>HP</b>	5	40	<b>C AMB</b>		<b>CONT</b>				
<b>NOM. EFF.</b>	93.7%	<b>PF</b>	97.3%	<b>SF</b>	1.0				
<b>VOLTS</b>	460		<b>FLA</b>	5.3					
<b>RPM</b>	1800		<b>RPM-MAX</b>	4000					
<b>HZ</b>	60	<b>PH.</b>	3	<b>CLASS</b>	F				
<b>BEMF (V)</b>	252		<b>RS (OHMS)</b>	3.30					
<b>LD (MH)</b>	54.0		<b>LQ (MH)</b>	191.0					
<b>VPWM</b>	<b>CHP</b>	60	<b>TO</b>	133					
<b>CT</b>	6	<b>TO</b>	60	<b>VT</b>	1	<b>TO</b>	60		
<b>MATCHED INV</b>	ECI4A5P8								
<b>DE</b>	6206		<b>ODE</b>	6205					
<b>SERIAL #</b>									

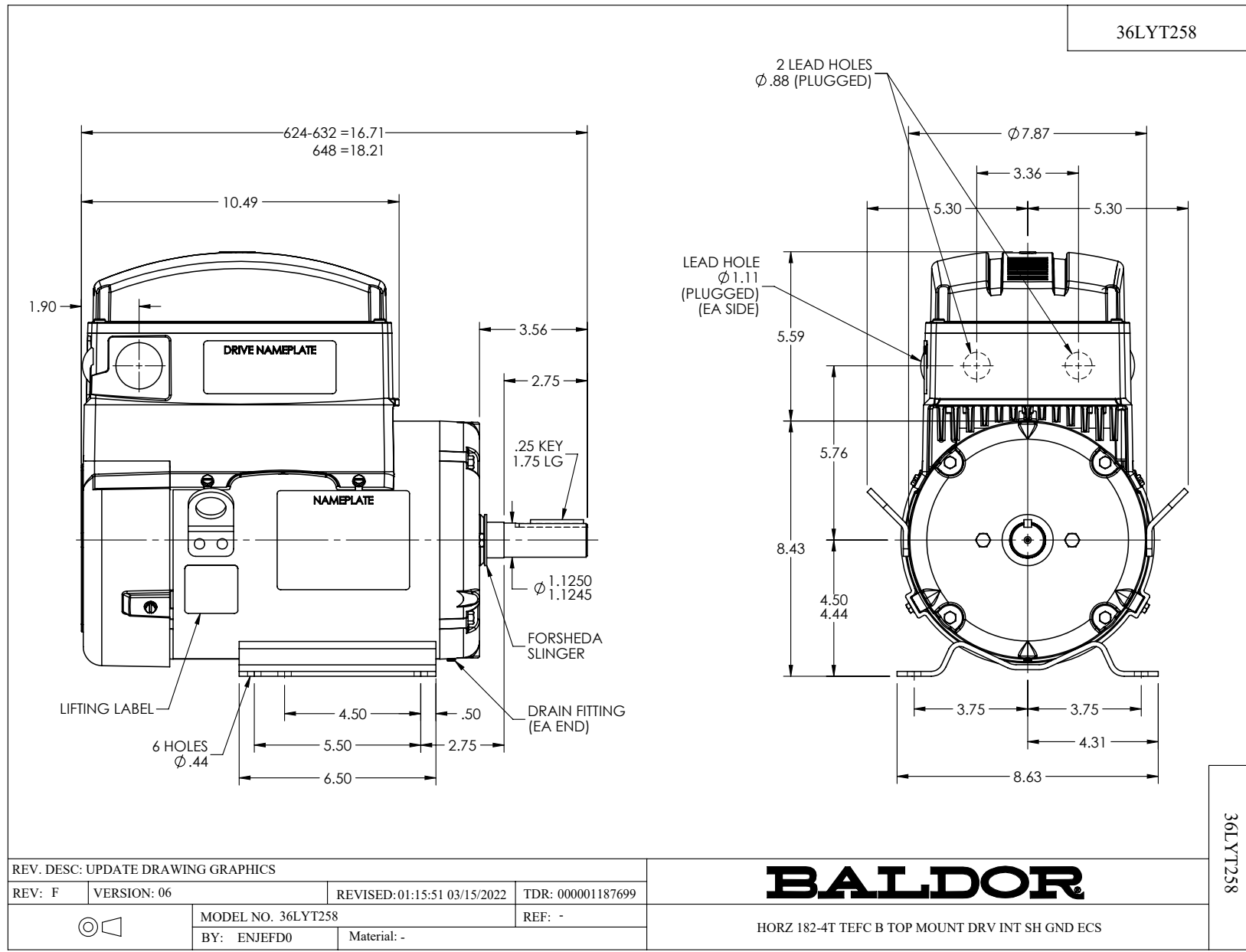
---

**NP3978A01**

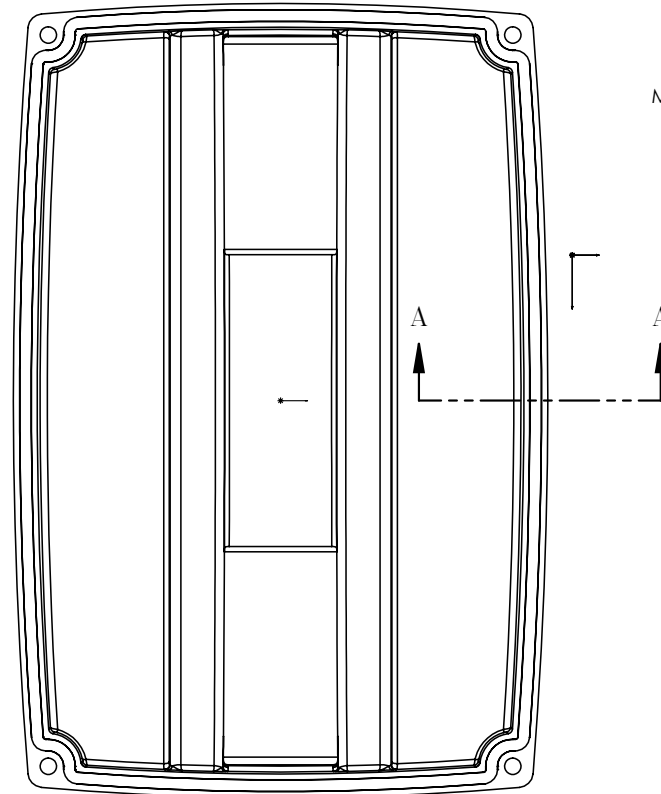
---

<b>PART NO.</b>	ECI4A5P8					
<b>U1</b>	480	<b>PH</b>	3	<b>HZ</b>	60	
<b>I1</b>	7.1	<b>W/EXT. CHOKE</b>			6.0	
<b>SERIAL #</b>						

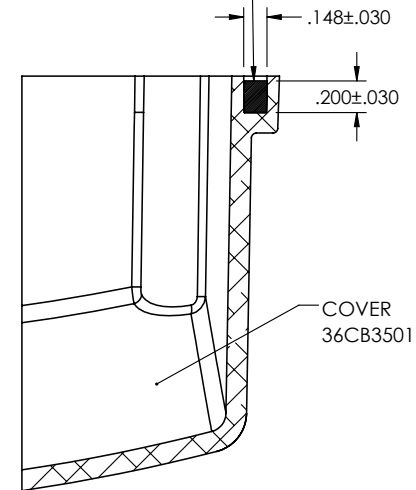
---



36CB3501A00



MATERIAL: RAMPF, RAKU-PUR 32-3280-51L



COVER  
36CB3501

SECTION A-A

36CB3501A00

REV. DESC: UPDATE MATERIAL

REV: A	VERSION: 01	REVISED: 10:46:37 03/29/2019	TDR: 000001101646
--------	-------------	------------------------------	-------------------



MODEL NO. 36CB3501A00

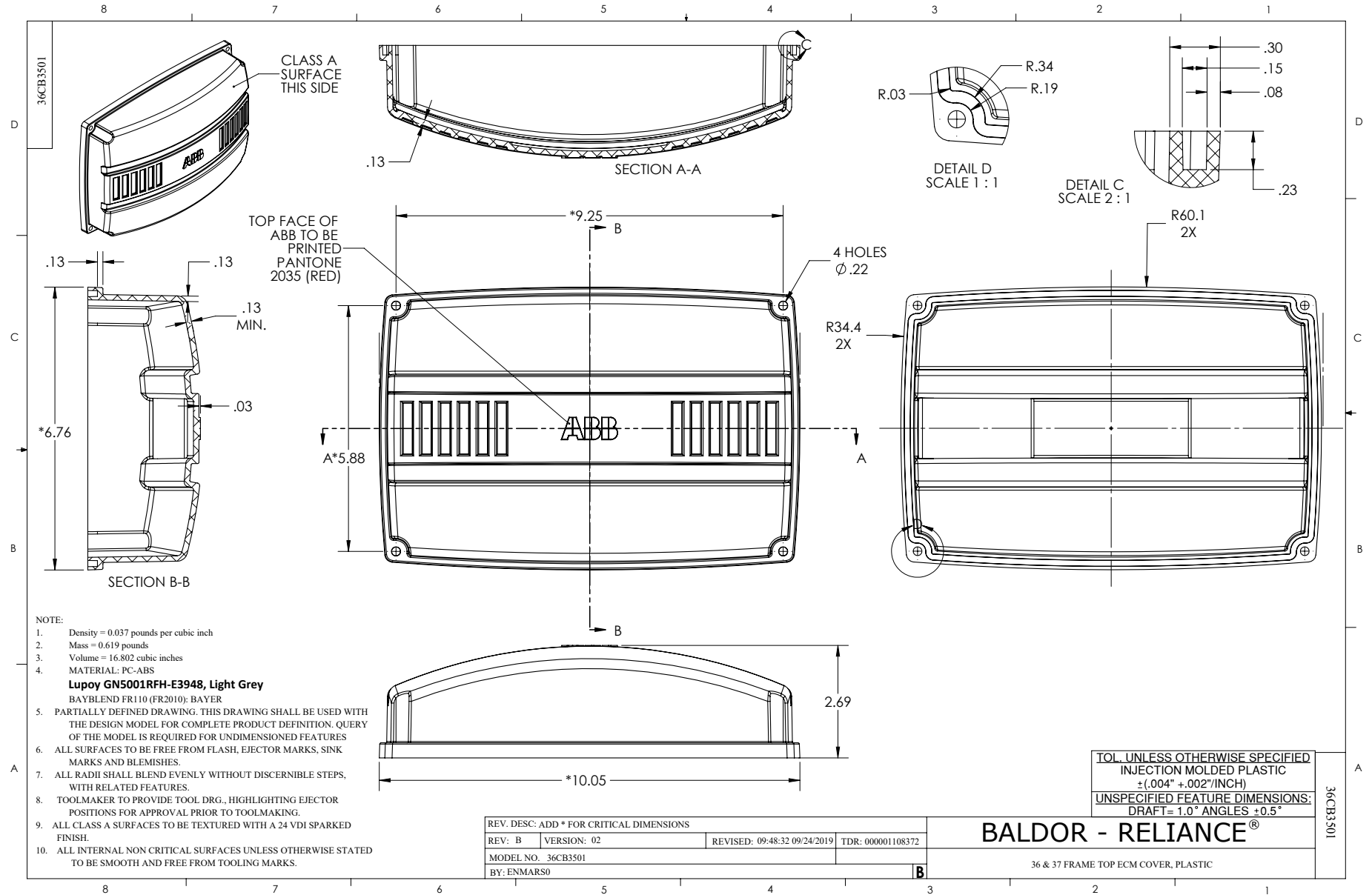
REF: -

BY: ENMARS0

Material: -

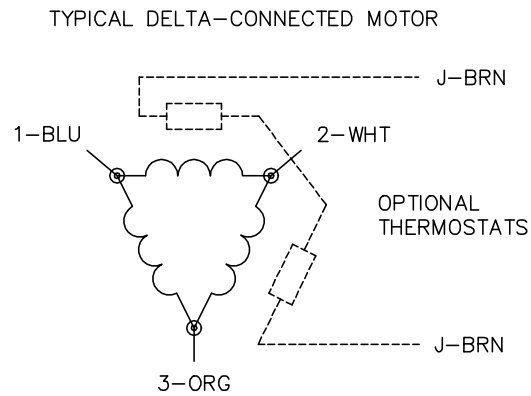
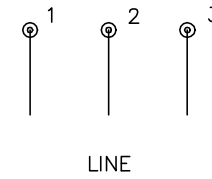
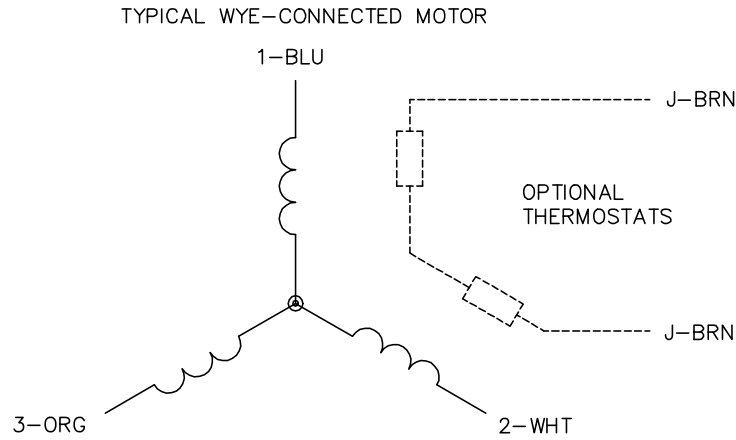
**BALDOR - RELIANCE®**

36 & 37 FRAME TOP ECM COVER WITH FOAM SEAL





CD0006



NOTES:

1. THREE LEAD MOTOR MAY BE EITHER WYE CONNECTED OR DELTA CONNECTED.
2. INTERCHANGE ANY TWO LINE LEADS TO REVERSE ROTATION.
3. OPTIONAL THERMOSTATS ARE PROVIDED WHEN SPECIFIED.
4. ACTUAL NUMBER OF INTERNAL PARALLEL CIRCUITS MAY VARY.
5. LEAD COLORS ARE OPTIONAL. LEADS MUST BE NUMBERED AS SHOWN.

CD0006

REV. DESC: ADD CLASS CONN00000007		
REV. LTR: E	VERSION: 01	TDR: 000001099922
FILE: \AAA\00005\141	REVISED: 10:24:49 02/19/2019	BY: ENBRIRO
MTL: -	© □	

**BALDOR - RELIANCE®**

3PH, SV, 3 LEADS, WYE OR DELTA CONNECTED

SH 1 of 1