

**BALDOR • RELIANCE**

---

# Customer information packet

## ECS100T4H5EB4

5HP, 1800RPM, 3PH, 60HZ, 184TC, TEFC, TOP

Class - None

Division - Not Applicable

Copyright © All product information within this document is subject to ABB Motors and Mechanical Inc. copyright © protection, unless otherwise noted.

10/4/2024 5:13:53 PM

## Specifications

|                                |                           |
|--------------------------------|---------------------------|
| Enclosure                      | TEFC                      |
| Frame                          | 184TC                     |
| Frame Material                 | Steel                     |
| Frequency                      | 60.00 Hz                  |
| Haz Area Class and Group       | None                      |
| Haz Area Division              | Not Applicable            |
| Motor Letter Type              | Three Phase               |
| Output @ Frequency             | 5.000 HP @ 60 HZ          |
| Phase                          | 3                         |
| Synchronous Speed @ Frequency  | 1800 RPM @ 60 HZ          |
| Voltage @ Frequency            | 460.0 V @ 60 HZ           |
| Agency Approvals               | UL<br>WEEE                |
| Ambient Temperature            | 40 °C                     |
| Auxillary Box                  | No Auxillary Box          |
| Auxillary Box Lead Termination | None                      |
| Base Indicator                 | Rigid                     |
| Bearing Grease Type            | Polyrex EM (-20F +300F)   |
| Blower                         | None                      |
| Constant Torque Speed Range    | 6                         |
| Current @ Voltage              | 5.300 A @ 460.0 V         |
| Drip Cover                     | No Drip Cover             |
| Duty Rating                    | CONT                      |
| Efficiency @ 100% Load         | 93.7 %                    |
| Electrically Isolated Bearing  | Not Electrically Isolated |
| Feedback Device                | NO FEEDBACK               |
| Heater Indicator               | No Heater                 |
| High Voltage Full Load Amps    | 5.3 a                     |
| Insulation Class               | F                         |
| Inverter Code                  | Inverter Duty             |
| IP Rating                      | NONE                      |
| Lifting Lugs                   | Standard Lifting Lugs     |

## Part detail

|              |                     |
|--------------|---------------------|
| Revision     | H                   |
| Type         | AC                  |
| Mech. spec.  |                     |
| Base         |                     |
| Status       | PRD/A               |
| Elec. spec.  | 36WGA0022           |
| Layout       | 36LYT263            |
| Eff. date    | 05-08-2024          |
| CD Diagram   | CD0006B03           |
| Poles        | 04                  |
| Leads        | 3#12 19" LONG LEADS |
| Proprietary  | False               |
| Created date | 08-31-2020          |

|                                   |                     |
|-----------------------------------|---------------------|
| <b>Locked Bearing Indicator</b>   | Locked Bearing      |
| <b>Motor Lead Termination</b>     | Flying Leads        |
| <b>Motor Standards</b>            | NEMA                |
| <b>Motor Type</b>                 | 3632B               |
| <b>Mounting Arrangement</b>       | F1                  |
| <b>Number of Poles</b>            | 4                   |
| <b>Overall Length</b>             | 16.71 IN            |
| <b>Power Factor</b>               | 97                  |
| <b>Product Family</b>             | General Purpose     |
| <b>Pulley Face Code</b>           | C-Face              |
| <b>Rodent Screen</b>              | None                |
| <b>Service Factor</b>             | 1.00                |
| <b>Shaft Diameter</b>             | 1.125 IN            |
| <b>Shaft Ground Indicator</b>     | Shaft Grounding     |
| <b>Shaft Rotation</b>             | Reversible          |
| <b>Speed</b>                      | 1800 rpm            |
| <b>Speed Code</b>                 | Single Speed        |
| <b>Starting Method</b>            | Direct on line      |
| <b>Thermal Device - Bearing</b>   | None                |
| <b>Thermal Device - Winding</b>   | None                |
| <b>Vibration Sensor Indicator</b> | No Vibration Sensor |
| <b>Winding Thermal 1</b>          | None                |
| <b>Winding Thermal 2</b>          | None                |

**Nameplate**

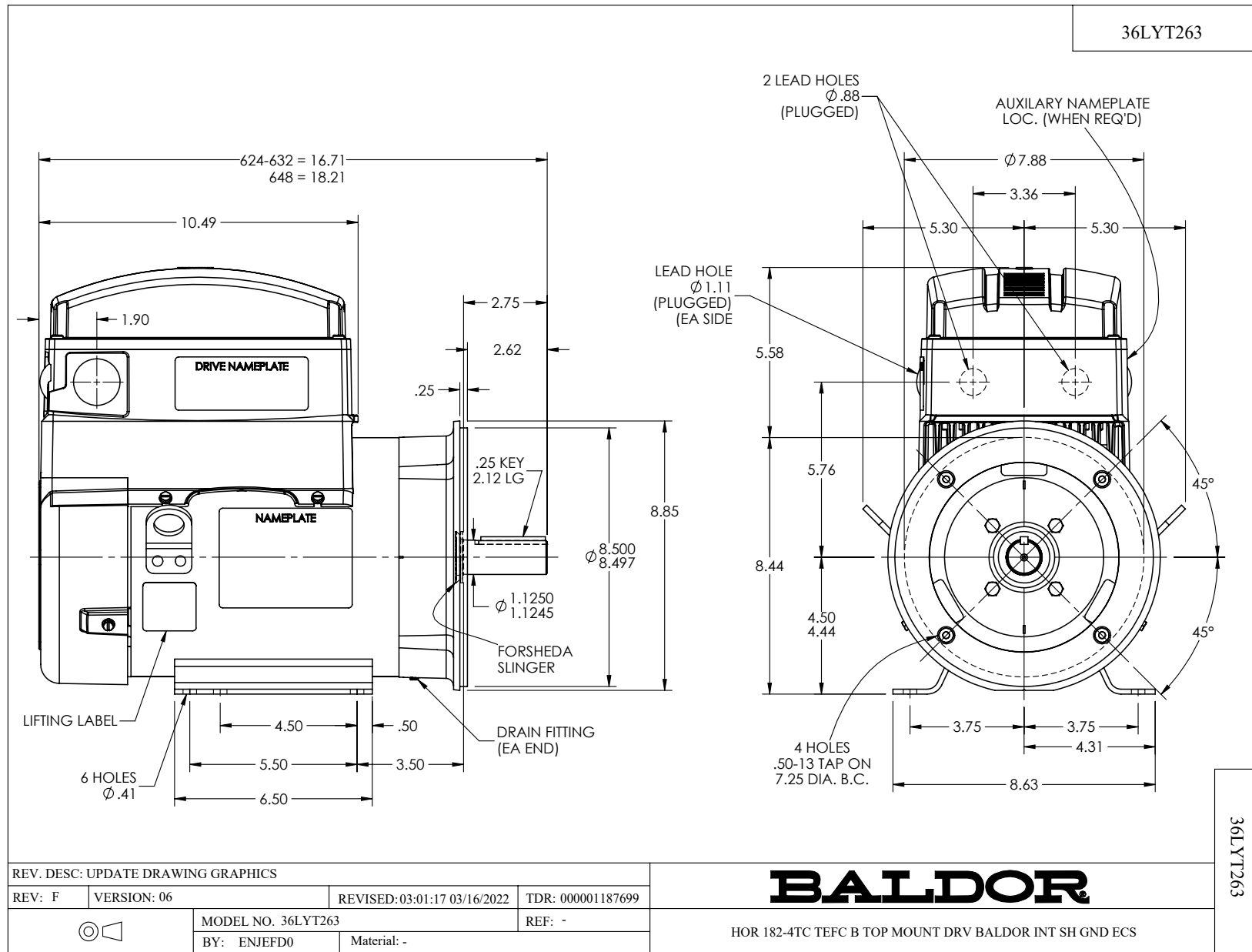
---

|                  |          |                     |   |           |     |
|------------------|----------|---------------------|---|-----------|-----|
| <b>NP3978A01</b> |          |                     |   |           |     |
| <b>PART NO.</b>  | ECI4A5P8 |                     |   |           |     |
| <b>U1</b>        | 480      | <b>PH</b>           | 3 | <b>HZ</b> | 60  |
| <b>I1</b>        | 7.1      | <b>W/EXT. CHOKE</b> |   |           | 6.0 |
| <b>SERIAL #</b>  |          |                     |   |           |     |

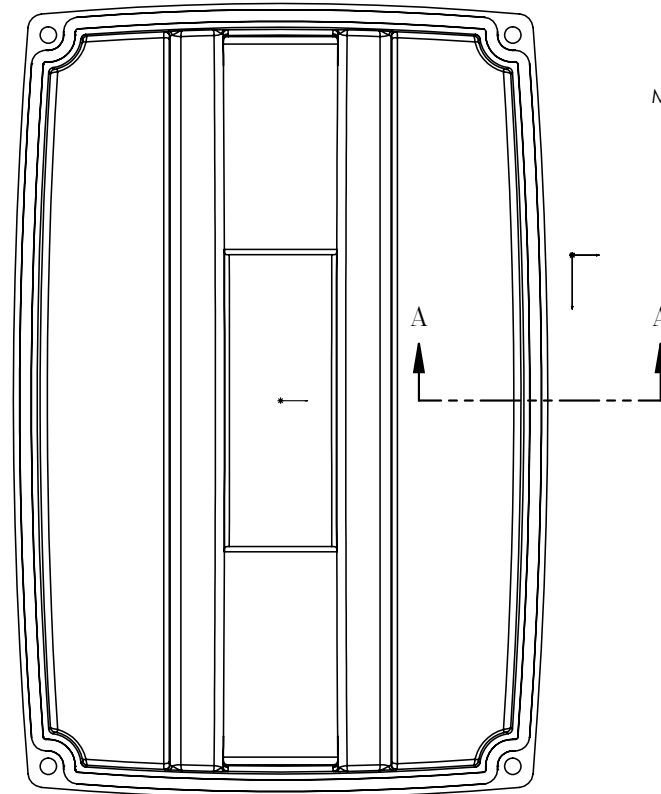
---

**NP3968A01A01**

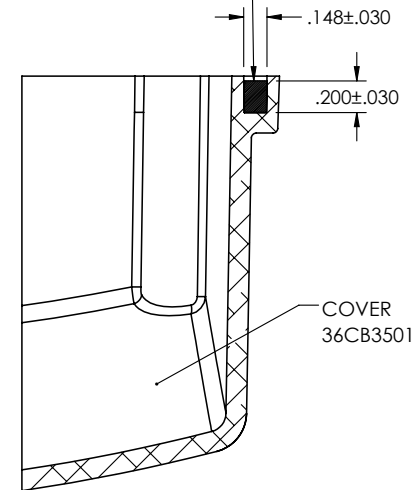
|                    |               |              |                  |           |              |           |     |
|--------------------|---------------|--------------|------------------|-----------|--------------|-----------|-----|
| <b>CAT.NO.</b>     | ECS100T4H5EB4 |              |                  |           |              |           |     |
| <b>SPEC.</b>       | 36-0001567    |              |                  |           |              |           |     |
| <b>FRAME</b>       | 184TC         | <b>ENCL.</b> | TEFC             | <b>IP</b> | 54           |           |     |
| <b>HP</b>          | 5             | 40           | <b>C AMB</b>     | CONT      |              |           |     |
| <b>NOM. EFF.</b>   | 93.7          | <b>PF</b>    | 97               | <b>SF</b> | 1            |           |     |
| <b>VOLTS</b>       | 460           |              | <b>FLA</b>       | 5.3       |              |           |     |
| <b>RPM</b>         | 1800          |              | <b>RPM-MAX</b>   | 4000      |              |           |     |
| <b>HZ</b>          | 60            |              | <b>PH.</b>       | 3         | <b>CLASS</b> | F         |     |
| <b>BEMF (V)</b>    | 252           |              | <b>RS (OHMS)</b> | 3.30      |              |           |     |
| <b>LD (MH)</b>     | 54.0          |              | <b>LQ (MH)</b>   | 191.0     |              |           |     |
| <b>VPWM</b>        | <b>CHP</b>    | 60           | <b>TO</b>        | 133       |              |           |     |
| <b>CT</b>          | 6             | <b>TO</b>    | 60               | <b>VT</b> | 1            | <b>TO</b> | 133 |
| <b>MATCHED INV</b> | ECI4A5P8      |              |                  |           |              |           |     |
| <b>DE</b>          | 6206          |              | <b>ODE</b>       | 6205      |              |           |     |
| <b>SERIAL #</b>    |               |              |                  |           |              |           |     |



36CB3501A00



MATERIAL: RAMPF, RAKU-PUR 32-3280-51L



SECTION A-A

36CB3501A00

REV. DESC: UPDATE MATERIAL

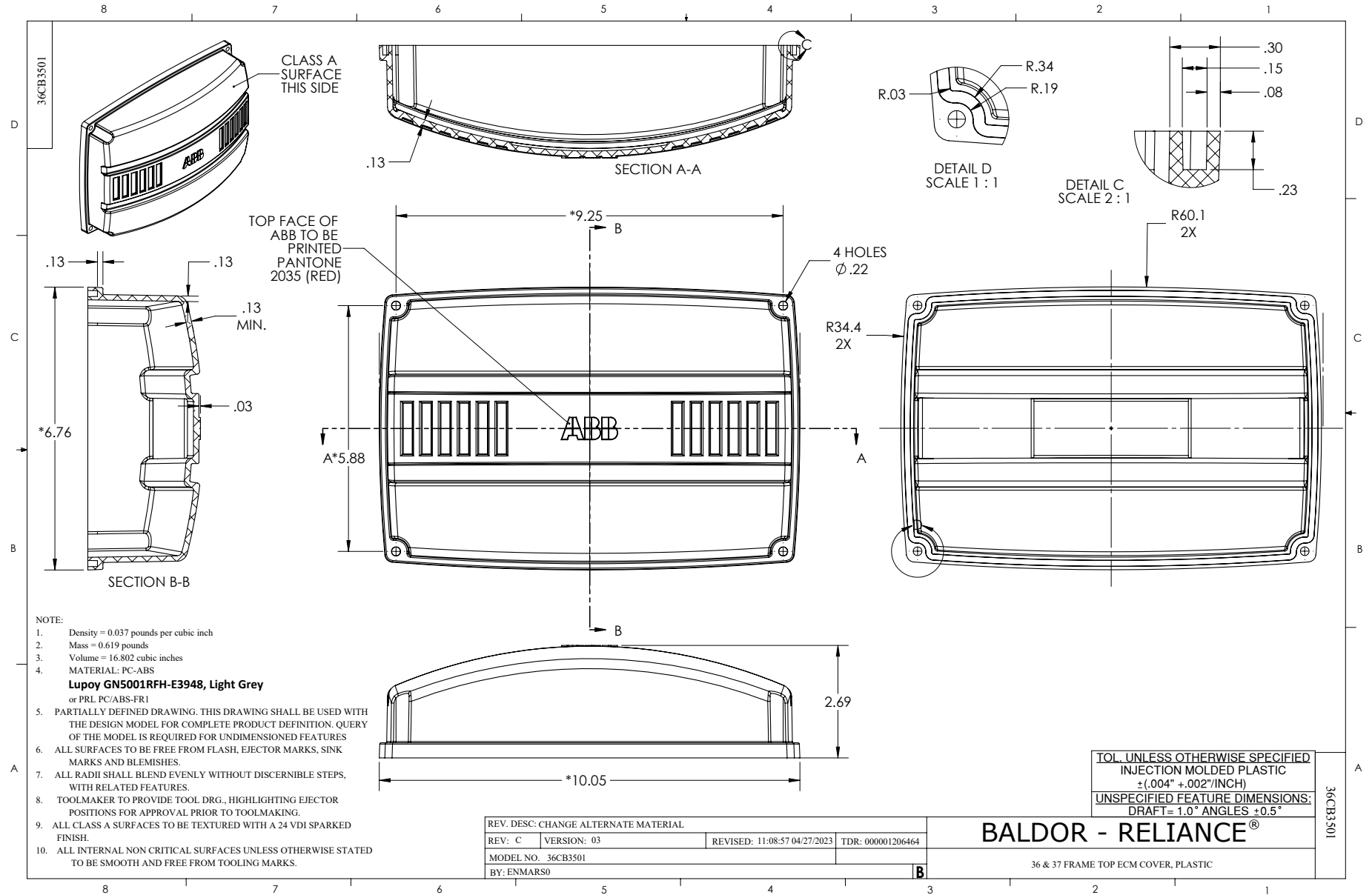
|        |             |                              |                   |
|--------|-------------|------------------------------|-------------------|
| REV: A | VERSION: 01 | REVISED: 10:46:37 03/29/2019 | TDR: 000001101646 |
|--------|-------------|------------------------------|-------------------|



|                       |             |
|-----------------------|-------------|
| MODEL NO. 36CB3501A00 | REF: -      |
| BY: ENMARS0           | Material: - |

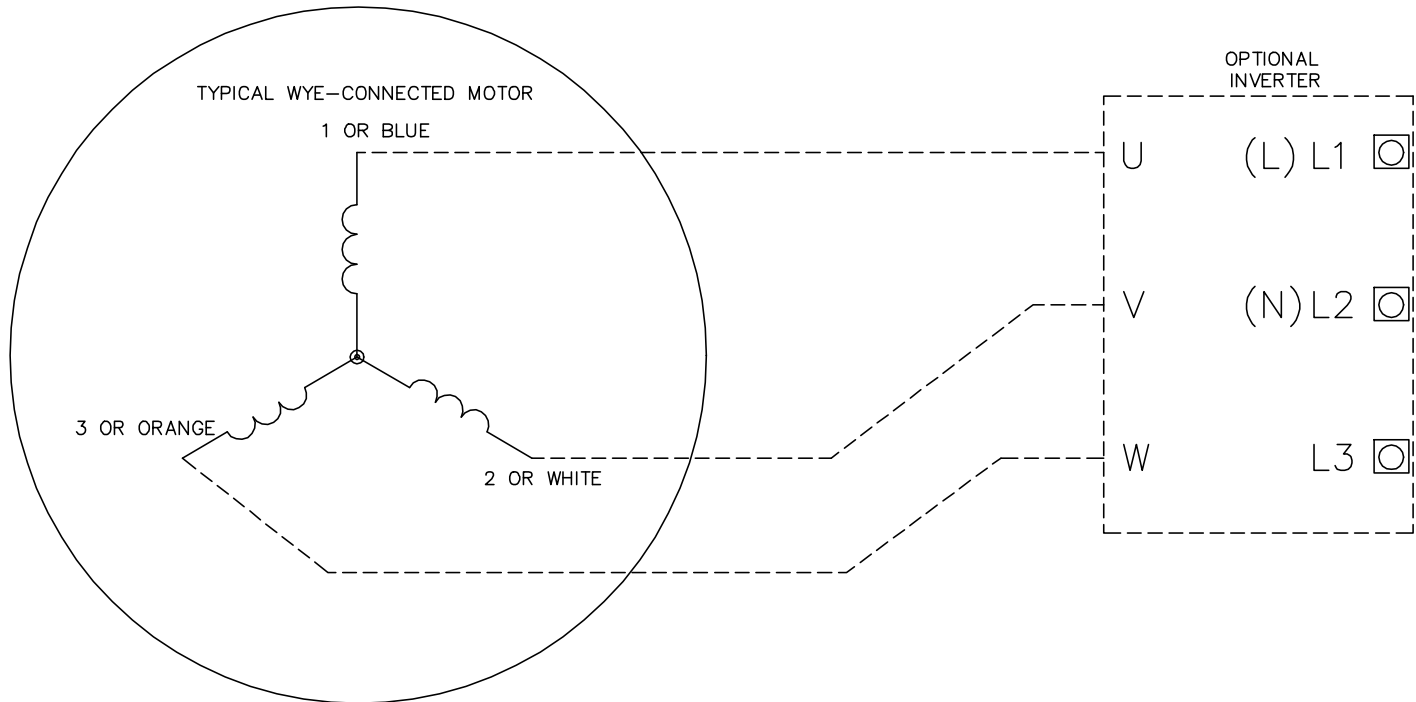
**BALDOR - RELIANCE®**

36 & 37 FRAME TOP ECM COVER WITH FOAM SEAL





CD0006B03



NOTES:

1. INTERCHANGE ANY TWO LINE LEADS TO REVERSE ROTATION.
2. ACTUAL NUMBER OF INTERNAL PARALLEL CIRCUITS MAY VARY.

CD0006B03

|  |                              |                   |
|--|------------------------------|-------------------|
| REV. DESC: CHANGE LEAD COLORS TO BLUE WHITE ORANGE |                              |                   |
| REV. LTR: A  | VERSION: 01                  | TDR: 000001158598 |
| FILE: \AAA\00252\917                               | REVISED: 11:01:03 01/19/2021 | BY: ENMARSO       |
| MTL: -   | © □                          |                   |

**BALDOR - RELIANCE®**

3PH, SV, 3 LEADS, WYE CONNECTED, ECS

SH 1 of 1