

BALDOR • RELIANCE

Customer information packet

ECS100T4H10FF4

10HP, 1800RPM, 3PH, 60HZ, 215T, TEFC, TOP

Class - None

Division - Not Applicable

Copyright © All product information within this document is subject to ABB Motors and Mechanical Inc. copyright © protection, unless otherwise noted.

9/14/2024 6:53:35 AM

Specifications

Enclosure	TEFC
Frame	215T
Frame Material	Steel
Frequency	60.00 Hz
Haz Area Class and Group	None
Haz Area Division	Not Applicable
Motor Letter Type	Three Phase
Phase	3
Agency Approvals	UL WEEE
Auxillary Box	No Auxillary Box
Auxillary Box Lead Termination	None
Base Indicator	Rigid
Bearing Grease Type	Polyrex EM (-20F +300F)
Blower	None
Constant Torque Speed Range	6
Design Code	0
Drip Cover	No Drip Cover
Electrically Isolated Bearing	Not Electrically Isolated
Feedback Device	NO FEEDBACK
Heater Indicator	No Heater
Inverter Code	Inverter Duty
Lifting Lugs	Standard Lifting Lugs
Locked Bearing Indicator	Locked Bearing
Motor Lead Quantity/Wire Size	3 @ 12 AWG
Motor Lead Termination	Flying Leads
Motor Standards	NEMA
Motor Type	3740B
Mounting Arrangement	F1
Number of Poles	4
Overall Length	19.23 IN
Product Family	General Purpose

Part detail

Revision	J
Type	AC
Mech. spec.	37Q460
Base	
Status	PRD/A
Elec. spec.	37WGL009
Layout	37LYQ460
Eff. date	07-10-2024
CD Diagram	CD0006
Poles	04
Leads	3#12
Proprietary	False
Created date	02-05-2020

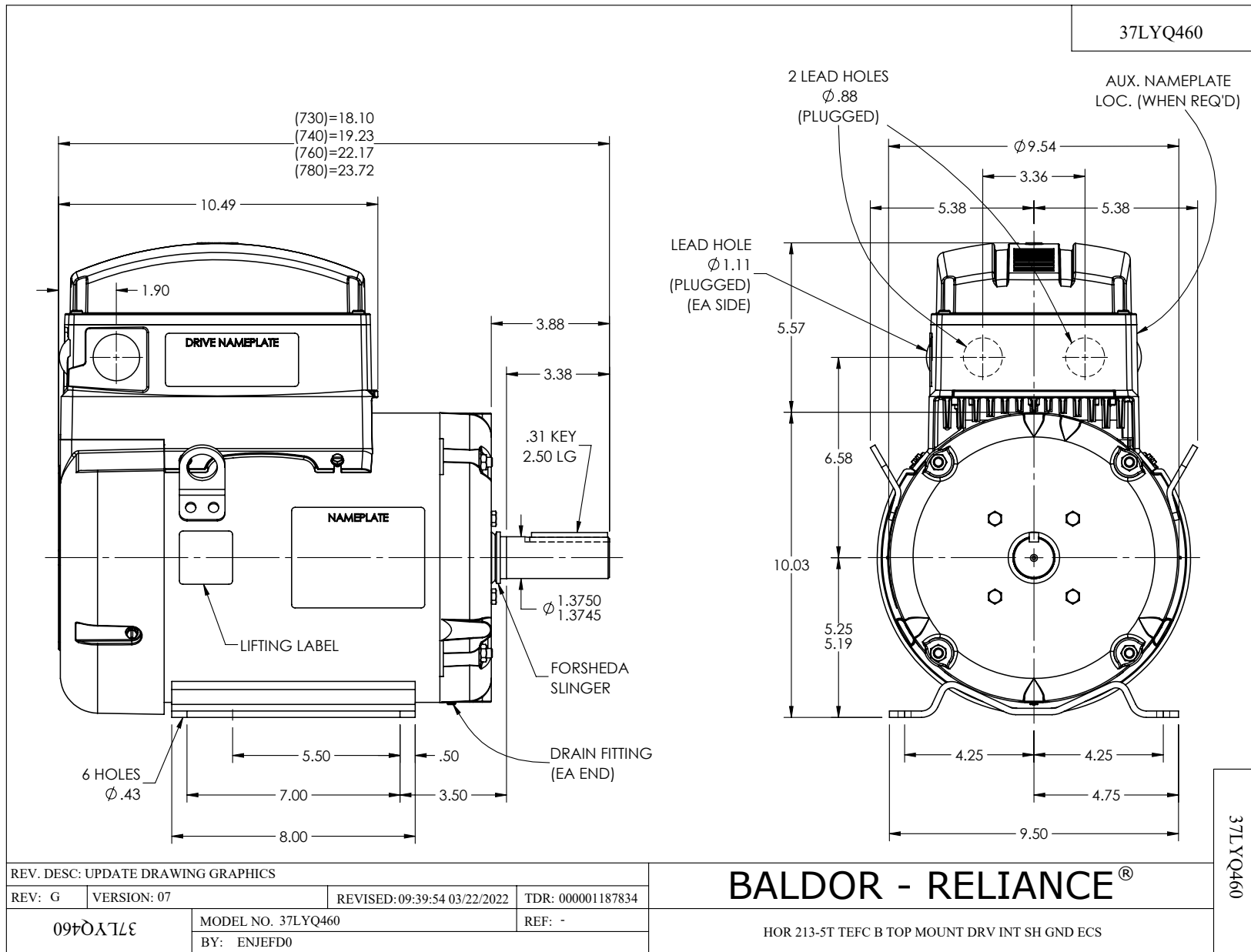
Pulley Face Code	Standard
Rodent Screen	None
RoHS Status	ROHS COMPLIANT
Shaft Diameter	1.375 IN
Shaft Ground Indicator	Shaft Grounding
Shaft Rotation	Reversible
Speed Code	Single Speed
Starting Method	INVERTER SPECIAL
Thermal Device - Bearing	None
Thermal Device - Winding	None
Vibration Sensor Indicator	No Vibration Sensor
Winding Thermal 1	None
Winding Thermal 2	None

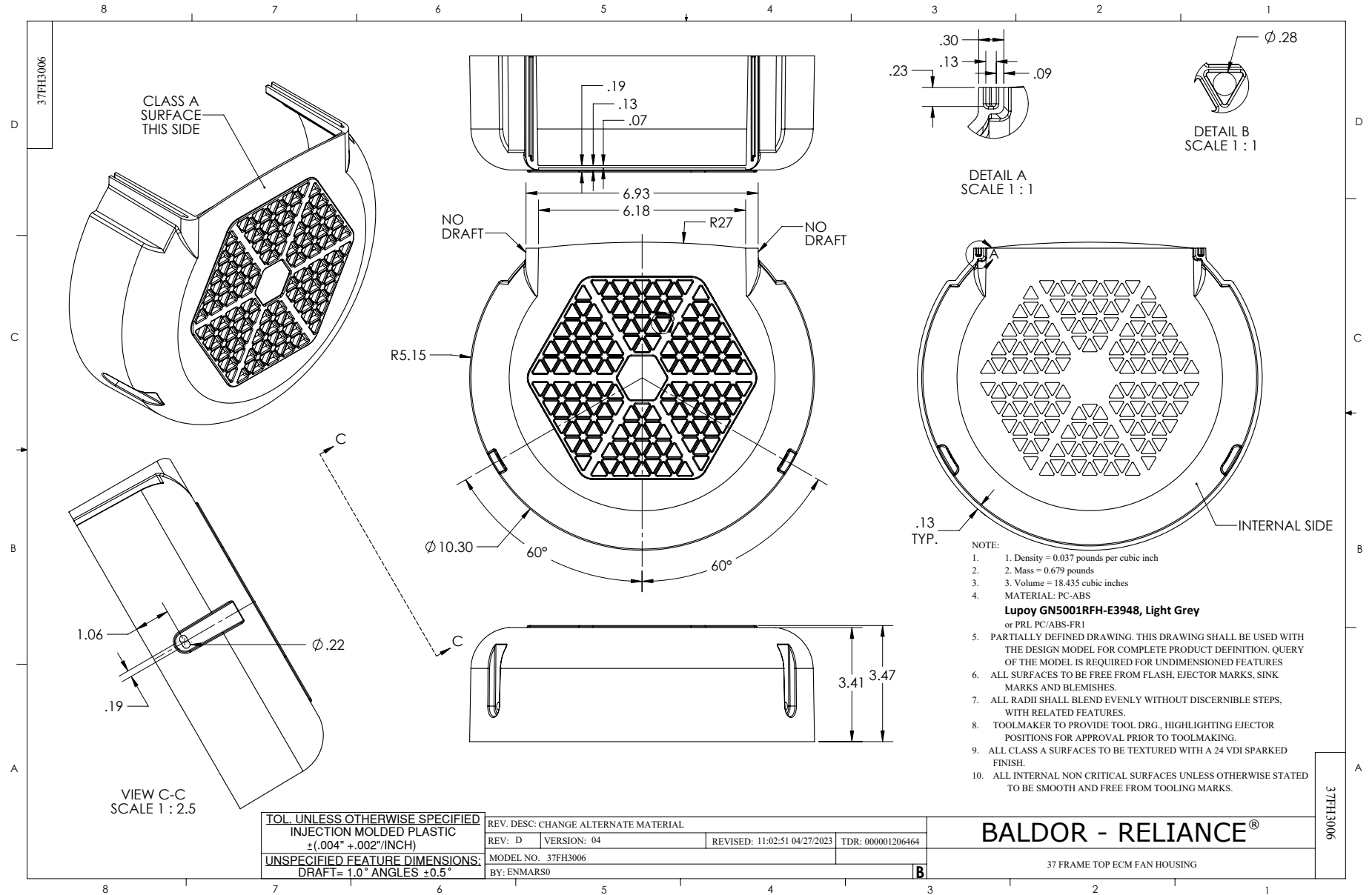
Nameplate

NP3968A01A01										
CAT.NO.	ECS100T4H10FF4									
SPEC.	37Q460L009G1									
FRAME	215T		ENCL.	TEFC	IP	54				
HP	10	40	C AMB	CONT						
NOM. EFF.	94.8%	PF	93.7%	SF	1.00					
VOLTS	460		FLA	11.22						
RPM	1800		RPM-MAX	3000						
HZ	60	PH.	3	CLASS	F					
BEMF (V)	231		RS (OHMS)	0.93						
LD (MH)	23.2		LQ (MH)	75.9						
VPWM	CHP	60	TO	100						
CT	6	TO	60	VT	1	TO	60			
MATCHED INV	ECI4A12P0									
DE	6307		ODE	6206						
SERIAL #										

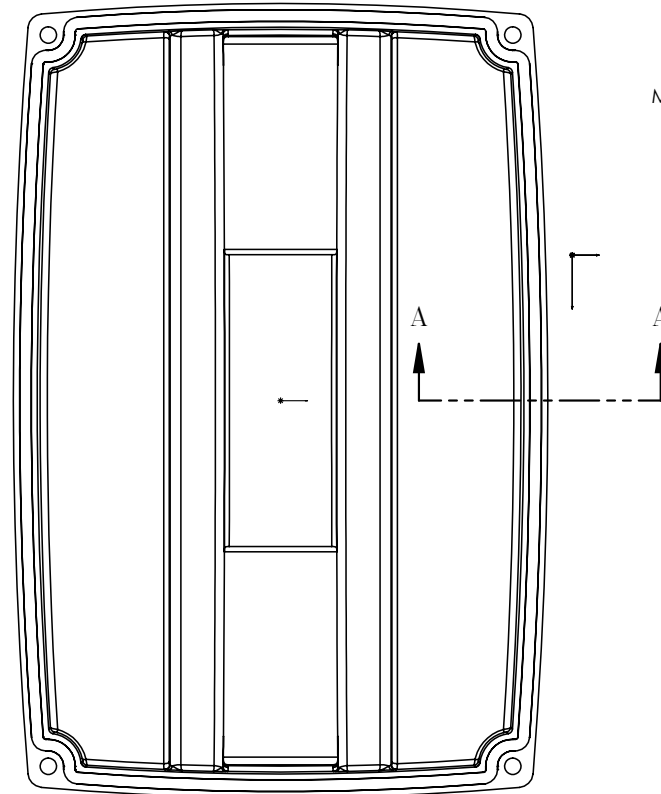
NP3978A01

PART NO.	ECI4A12P0				
U1	480	PH	3	HZ	60
I1	10.1	W/EXT. CHOKE			9.4
SERIAL #					

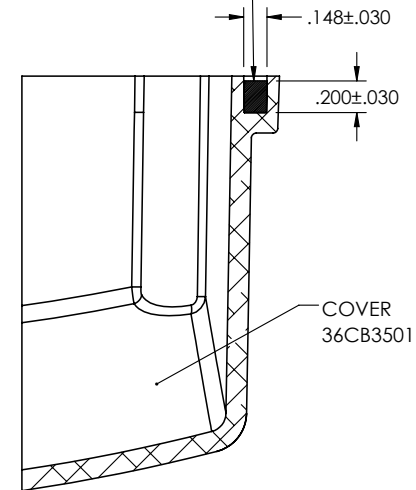




36CB3501A00



MATERIAL: RAMPF, RAKU-PUR 32-3280-51L



SECTION A-A

36CB3501A00

REV. DESC: UPDATE MATERIAL

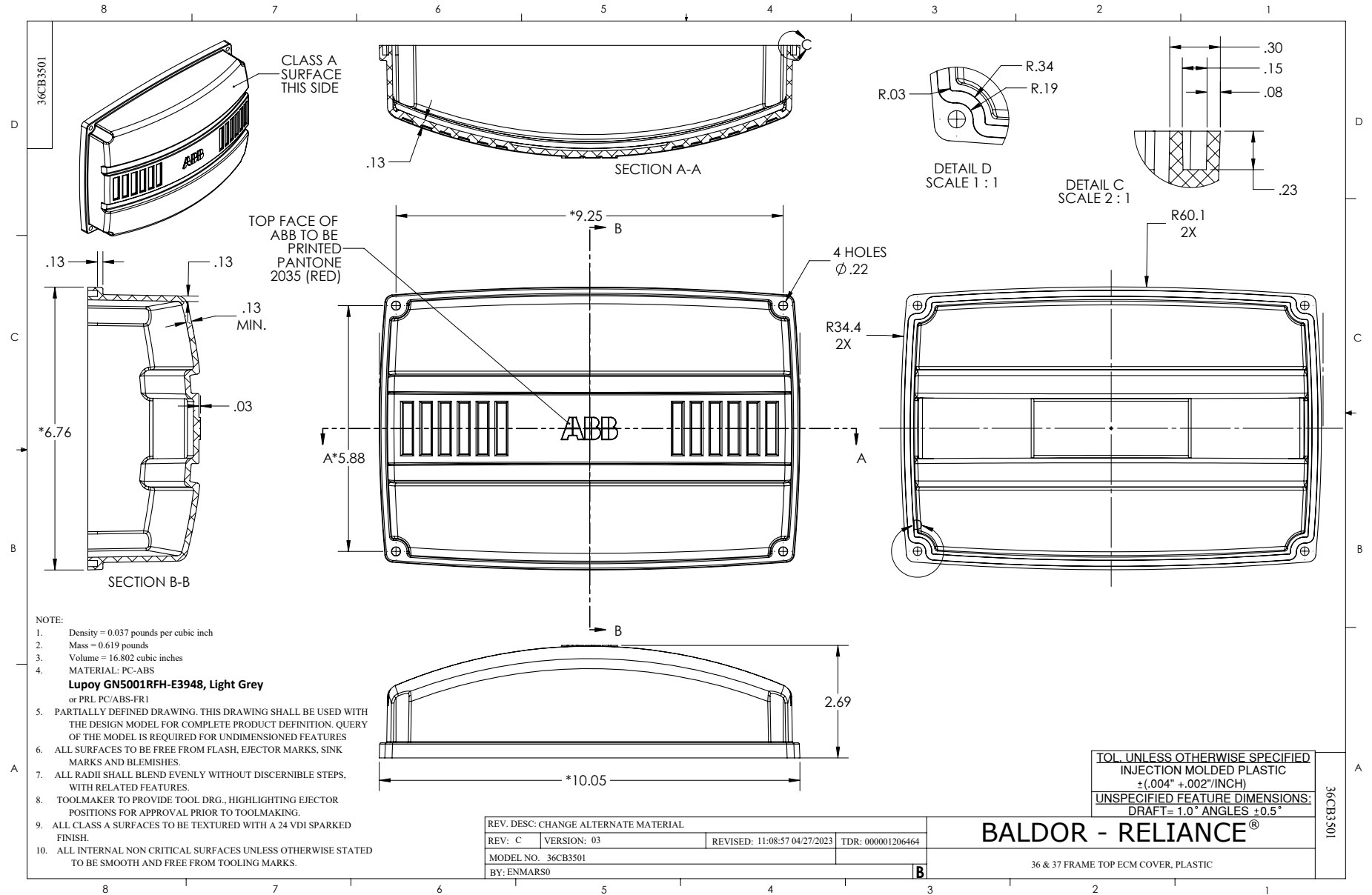
REV: A	VERSION: 01	REVISED: 10:46:37 03/29/2019	TDR: 000001101646
--------	-------------	------------------------------	-------------------



MODEL NO. 36CB3501A00	REF: -
BY: ENMARS0	Material: -

BALDOR - RELIANCE®

36 & 37 FRAME TOP ECM COVER WITH FOAM SEAL



CD0006



NOTES:

1. THREE LEAD MOTOR MAY BE EITHER WYE CONNECTED OR DELTA CONNECTED.
2. INTERCHANGE ANY TWO LINE LEADS TO REVERSE ROTATION.
3. OPTIONAL THERMOSTATS ARE PROVIDED WHEN SPECIFIED.
4. ACTUAL NUMBER OF INTERNAL PARALLEL CIRCUITS MAY VARY.
5. LEAD COLORS ARE OPTIONAL. LEADS MUST BE NUMBERED AS SHOWN.

CD0006

REV. DESC: ADD CLASS CONN00000007		
REV. LTR: E	VERSION: 01	TDR: 000001099922
FILE: \AAA\00005\141	REVISED: 10:24:49 02/19/2019	BY: ENBRIRO
MTL: -	© □	

BALDOR - RELIANCE®

3PH, SV, 3 LEADS, WYE OR DELTA CONNECTED

SH 1 of 1