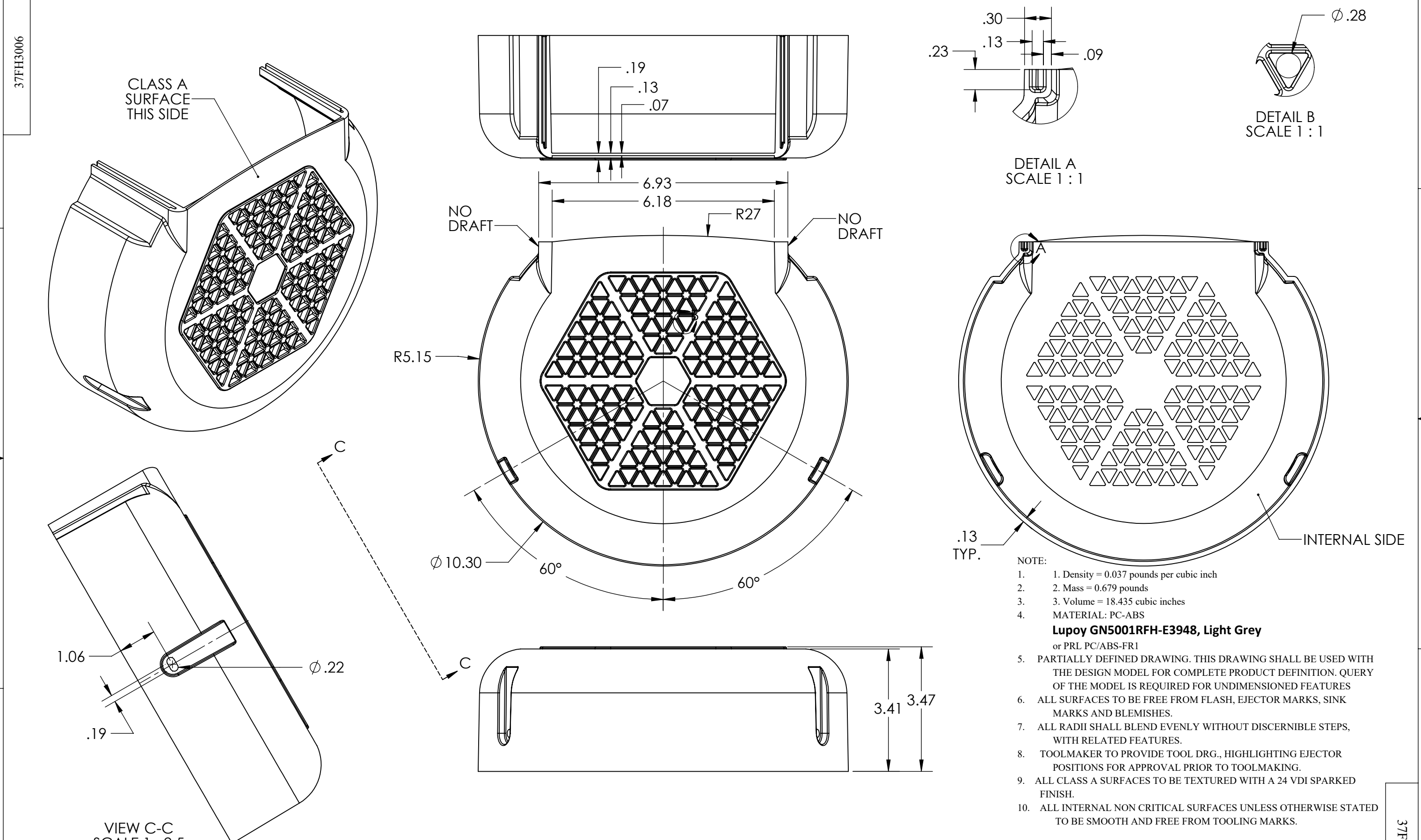
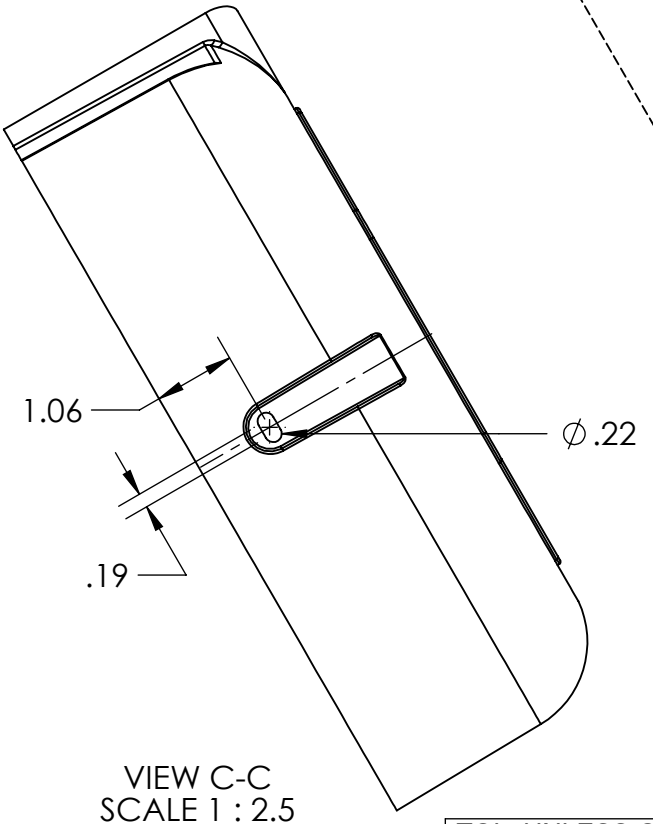


8 7 6 5 4 3 2 1



- NOTE:
1. Density = 0.037 pounds per cubic inch
 2. Mass = 0.679 pounds
 3. Volume = 18.435 cubic inches
 4. MATERIAL: PC-ABS
Lupoy GN5001RFH-E3948, Light Grey
or PRL PC/ABS-FR1
 5. PARTIALLY DEFINED DRAWING. THIS DRAWING SHALL BE USED WITH THE DESIGN MODEL FOR COMPLETE PRODUCT DEFINITION. QUERY OF THE MODEL IS REQUIRED FOR UNDIMENSIONED FEATURES
 6. ALL SURFACES TO BE FREE FROM FLASH, EJECTOR MARKS, SINK MARKS AND BLEMISHES.
 7. ALL RADII SHALL BLEND EVENLY WITHOUT DISCERNIBLE STEPS, WITH RELATED FEATURES.
 8. TOOLMAKER TO PROVIDE TOOL DRG., HIGHLIGHTING EJECTOR POSITIONS FOR APPROVAL PRIOR TO TOOLMAKING.
 9. ALL CLASS A SURFACES TO BE TEXTURED WITH A 24 VDI SPARKED FINISH.
 10. ALL INTERNAL NON CRITICAL SURFACES UNLESS OTHERWISE STATED TO BE SMOOTH AND FREE FROM TOOLING MARKS.



TOL. UNLESS OTHERWISE SPECIFIED
INJECTION MOLDED PLASTIC
±(.004" +.002"/INCH)
UNSPECIFIED FEATURE DIMENSIONS:
DRAFT= 1.0° ANGLES ±0.5°

REV. DESC: CHANGE ALTERNATE MATERIAL			
REV: D	VERSION: 04	REVISED: 11:02:51 04/27/2023	TDR: 000001206464
MODEL NO. 37FH3006			
BY: ENMARS0			

BALDOR - RELIANCE®

37 FRAME TOP ECM FAN HOUSING

37FH3006

8 7 6 5 4 3 2 1