

**BALDOR • RELIANCE**

---

# Customer information packet

## ECS100A4H7EC4

7.5HP, 1800RPM, 3PH, 60HZ, 184TC, 3648B, TEFC

Class - None

Division - Not Applicable

## Specifications

Enclosure	TEFC
Frame	184TC
Frame Material	Steel
Frequency	60.00 Hz
Haz Area Class and Group	None
Haz Area Division	Not Applicable
Motor Letter Type	Three Phase
Output @ Frequency	7.500 HP @ 60 HZ
Phase	3
Synchronous Speed @ Frequency	1800 RPM @ 60 HZ
Voltage @ Frequency	460.0 V @ 60 HZ
Agency Approvals	UL WEEE
Ambient Temperature	40 °C
Auxillary Box	No Auxillary Box
Auxillary Box Lead Termination	None
Base Indicator	No Mounting
Bearing Grease Type	Polyrex EM (-20F +300F)
Blower	None
Constant Torque Speed Range	6
Current @ Voltage	8.800 A @ 460.0 V
Drip Cover	No Drip Cover
Duty Rating	CONT
Efficiency @ 100% Load	94.0 %
Electrically Isolated Bearing	Not Electrically Isolated
Feedback Device	NO FEEDBACK
Heater Indicator	No Heater
High Voltage Full Load Amps	8.8 a
Insulation Class	F
Inverter Code	Inverter Duty
IP Rating	NONE
Lifting Lugs	Standard Lifting Lugs

## Part detail

Revision	K
Type	AC
Mech. spec.	
Base	
Status	PRD/A
Elec. spec.	36WGA0026
Layout	36LYT290
Eff. date	05-08-2024
CD Diagram	CD0006B03
Poles	04
Leads	3#14 15" LONG LEADS
Proprietary	False
Created date	09-28-2020

<b>Locked Bearing Indicator</b>	Locked Bearing
<b>Motor Lead Termination</b>	Flying Leads
<b>Motor Standards</b>	NEMA
<b>Motor Type</b>	3648B
<b>Mounting Arrangement</b>	F1
<b>Number of Poles</b>	4
<b>Overall Length</b>	23.76 IN
<b>Power Factor</b>	94
<b>Product Family</b>	General Purpose
<b>Pulley Face Code</b>	C-Face
<b>Rodent Screen</b>	None
<b>Service Factor</b>	1.00
<b>Shaft Diameter</b>	1.125 IN
<b>Shaft Ground Indicator</b>	Shaft Grounding
<b>Shaft Rotation</b>	Reversible
<b>Speed</b>	1800 rpm
<b>Speed Code</b>	Single Speed
<b>Starting Method</b>	Direct on line
<b>Thermal Device - Bearing</b>	None
<b>Thermal Device - Winding</b>	None
<b>Vibration Sensor Indicator</b>	No Vibration Sensor
<b>Winding Thermal 1</b>	None
<b>Winding Thermal 2</b>	None

**Nameplate**

---

**NP3978A01**

---

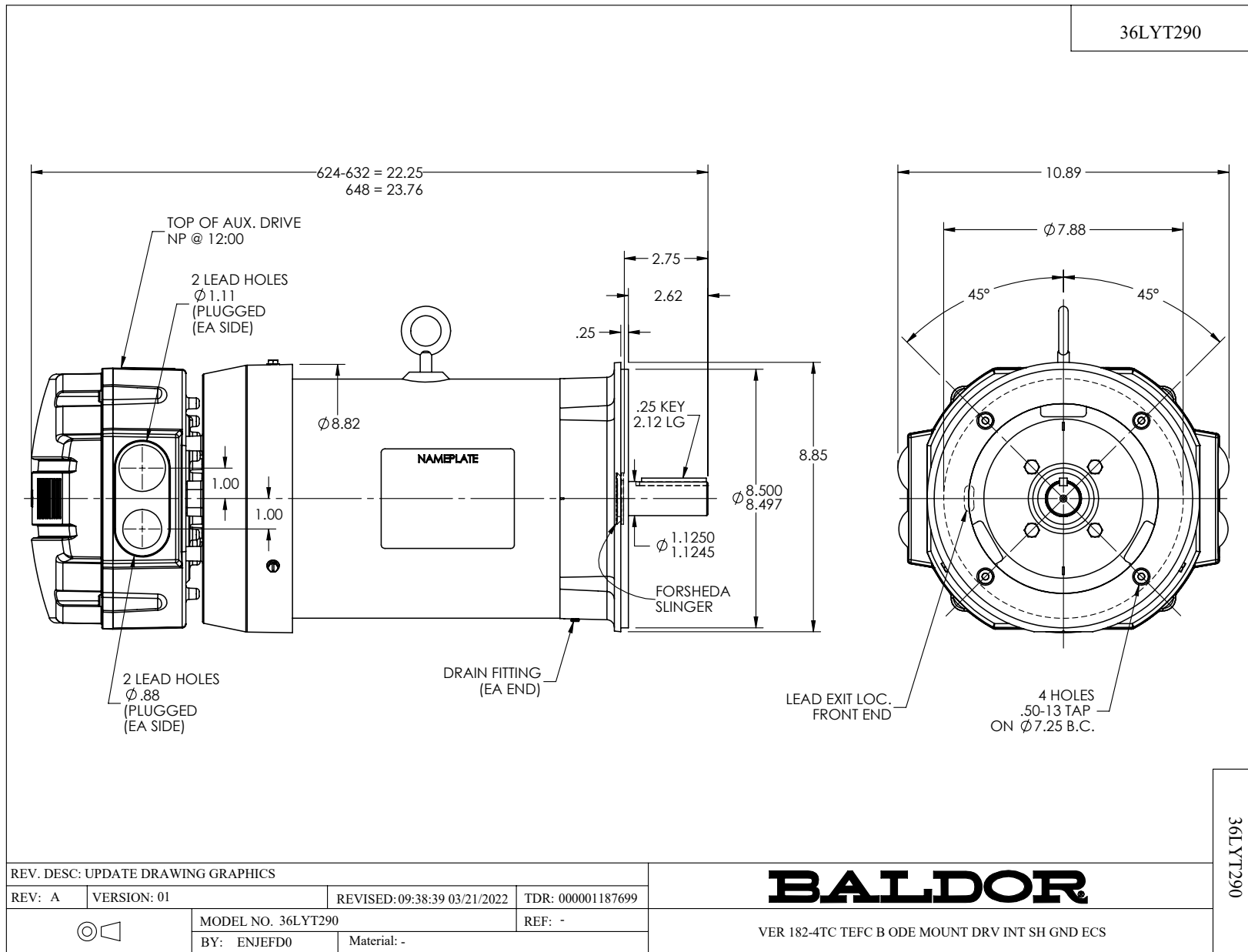
<b>PART NO.</b>	ECI4A9P5				
<b>U1</b>	480	<b>PH</b>	3	<b>HZ</b>	60
<b>I1</b>	10.0	<b>W/EXT. CHOKE</b>		8.4	
<b>SERIAL #</b>					

---

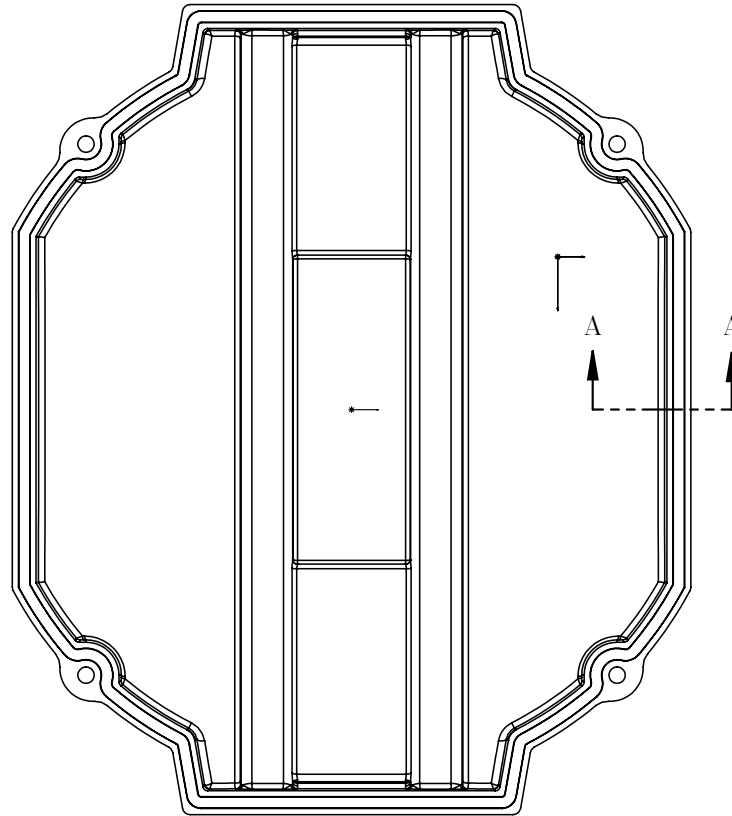
**NP3968A01A01**

<b>CAT.NO.</b>	ECS100A4H7EC4						
<b>SPEC.</b>	36-0001712						
<b>FRAME</b>	184TC	<b>ENCL.</b>	TEFC	<b>IP</b>	54		
<b>HP</b>	7.5	40	<b>C AMB</b>	CONT			
<b>NOM. EFF.</b>	94	<b>PF</b>	94	<b>SF</b>	1		
<b>VOLTS</b>	460	<b>FLA</b>	8.8				
<b>RPM</b>	1800	<b>RPM-MAX</b>	4000				
<b>HZ</b>	60	<b>PH.</b>	3	<b>CLASS</b>	F		
<b>BEMF (V)</b>	212	<b>RS (OHMS)</b>	1.30				
<b>LD (MH)</b>	25.0	<b>LQ (MH)</b>	91.6				
<b>VPWM</b>	<b>CHP</b>	60	<b>TO</b>	133			
<b>CT</b>	6	<b>TO</b>	60	<b>VT</b>	1	<b>TO</b>	133
<b>MATCHED INV</b>	ECI4A9P5						
<b>DE</b>	6206	<b>ODE</b>	6205				
<b>SERIAL #</b>							

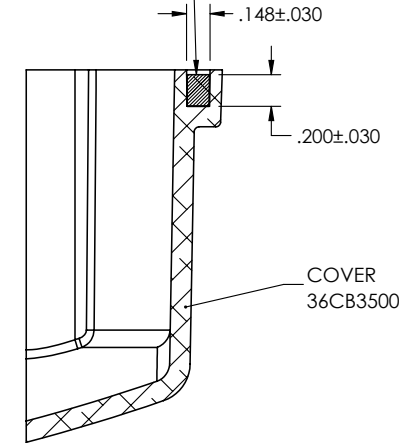
36LYT290



36CB3500A00



MATERIAL: RAMPF, RAKU-PUR 32-3280-51L



SECTION A-A

36CB3500A00

REV. DESC: UPDATE MATERIAL

REV: A	VERSION: 01	REVISED: 10:45:08 03/29/2019	TDR: 000001101646
--------	-------------	------------------------------	-------------------



MODEL NO. 36CB3500A00

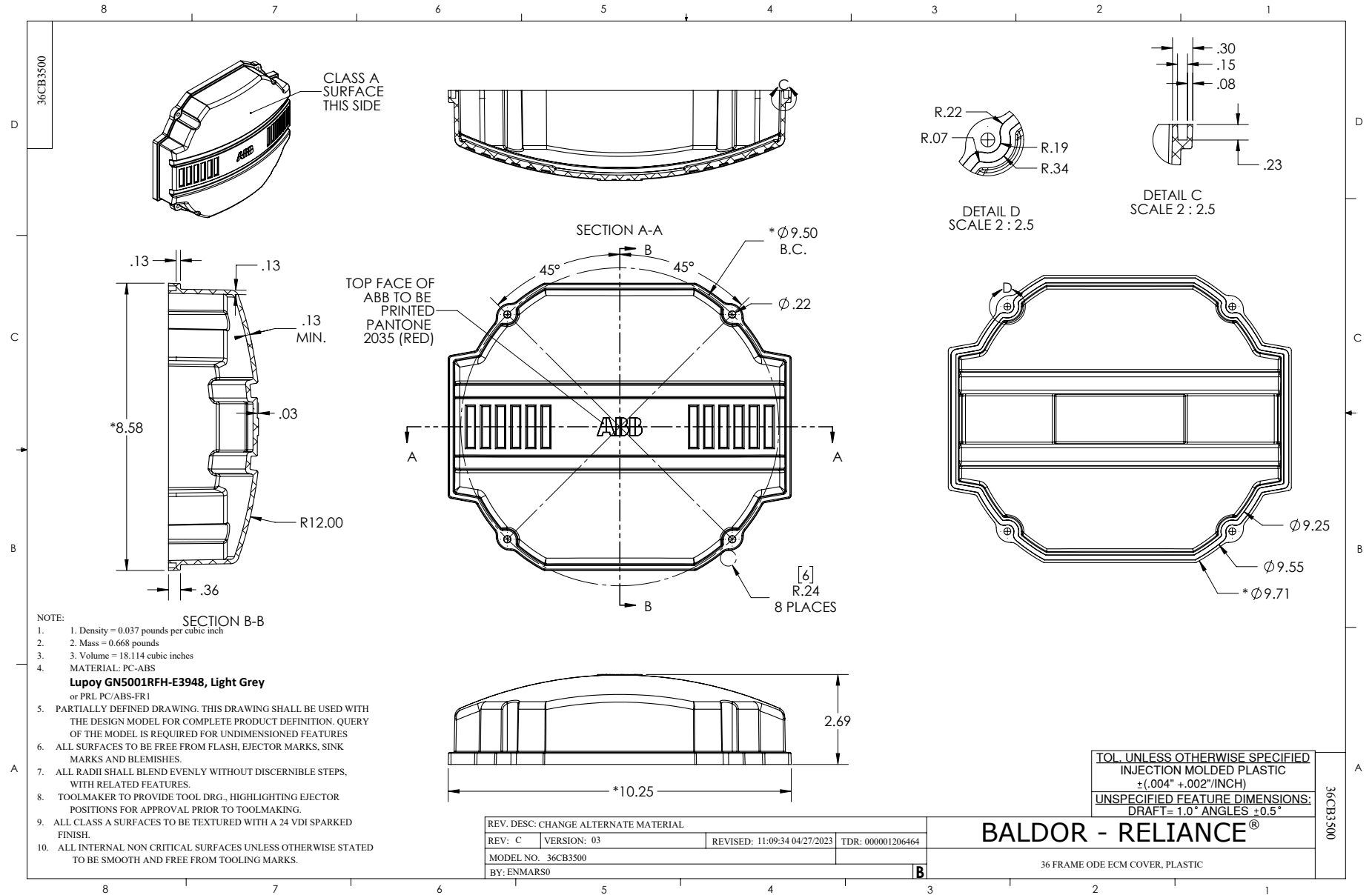
REF: -

BY: ENMARS0

Material: -

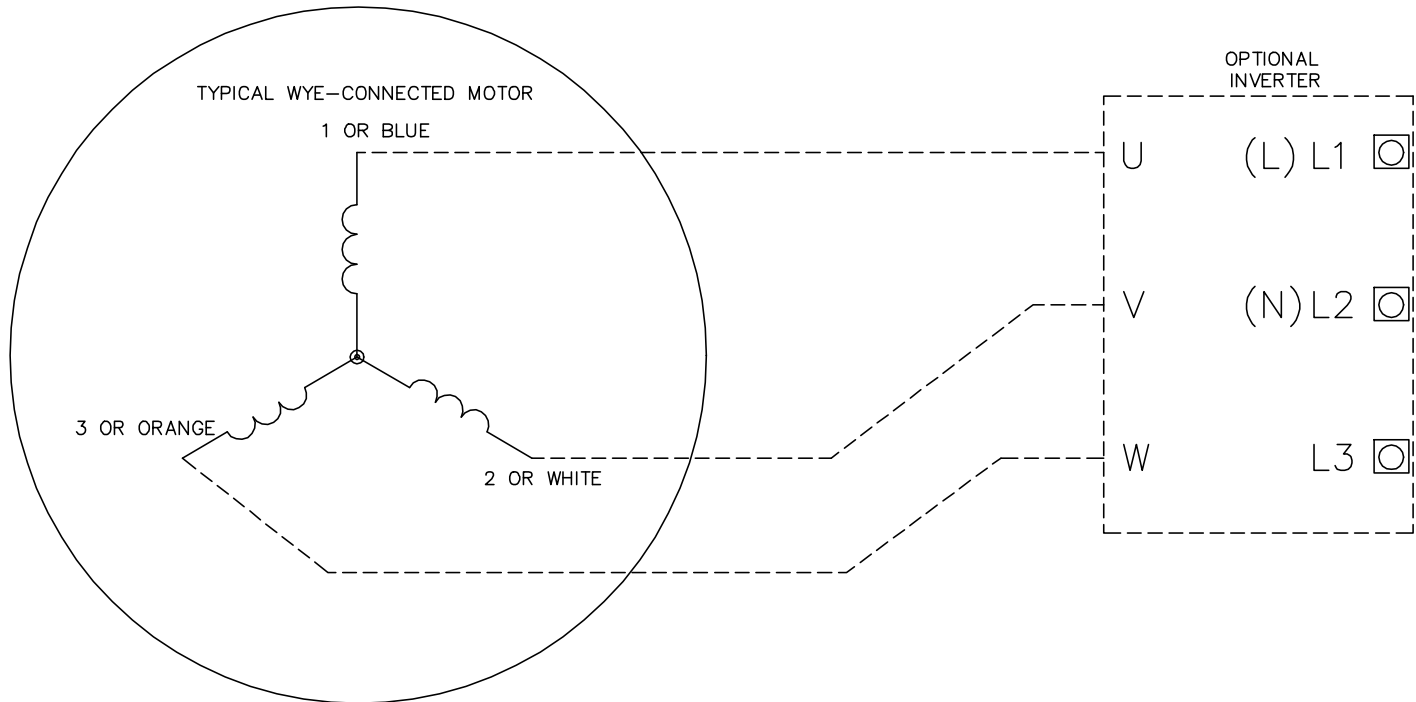
**BALDOR - RELIANCE®**

36 FRAME ODE ECM COVER WITH FOAM SEAL





CD0006B03



**NOTES:**

1. INTERCHANGE ANY TWO LINE LEADS TO REVERSE ROTATION.
2. ACTUAL NUMBER OF INTERNAL PARALLEL CIRCUITS MAY VARY.

CD0006B03

REV. DESC: CHANGE LEAD COLORS TO BLUE WHITE ORANGE		
REV. LTR: A	VERSION: 01	TDR: 000001158598
FILE: \AAA\00252\917	REVISED: 11:01:03 01/19/2021	BY: ENMARSO
MTL: -	© □	

**BALDOR - RELIANCE®**

3PH, SV, 3 LEADS, WYE CONNECTED, ECS

SH 1 of 1