

ABB BALDOR RELIANCE III

Customer information packet

ECS100A4H5EF4

5HP, 1800RPM, 3PH, 60HZ, 184T, TEFC, AXIAL

Class - None

Division - Not Applicable

Specifications

Enclosure	TEFC
Frame	184T
Frame Material	Steel
Frequency	60.00 Hz
Haz Area Class and Group	None
Haz Area Division	Not Applicable
Motor Letter Type	Three Phase
Phase	3
Agency Approvals	UL WEEE
Auxiliary Box	NO AUXILLARY BOX
Auxiliary Box Lead Termination	None
Base Indicator	Rigid
Bearing Grease Type	Polyrex EM (-20F +300F)
Blower	None
Constant Torque Speed Range	6
Design Code	B
Drip Cover	No Drip Cover
Electrically Isolated Bearing	Not Electrically Isolated
Feedback Device	NO FEEDBACK
Heater Indicator	No Heater
Inverter Code	Inverter Duty
IP Rating	NONE
Lifting Lugs	Standard Lifting Lugs
Locked Bearing Indicator	Locked Bearing
Motor Lead Quantity/Wire Size	3 @ 14 AWG
Motor Lead Termination	Flying Leads
Motor Standards	NEMA
Motor Type	3632B
Mounting Arrangement	F1
Number of Poles	4
Overall Length	22.25 IN

Part Detail

Revision	K
Type	AC
Mech. spec.	36T259
Base	
Status	PRD/A
Elec. spec.	36WGL097
Layout	36LYT259
Eff. date	01-06-2026
CD Diagram	CD0006
Poles	04
Leads	3#14 Y
Proprietary	False
Created date	02-06-2020

Product Family	General Purpose
Pulley Face Code	Standard
Rodent Screen	None
RoHS Status	ROHS COMPLIANT
Shaft Diameter	1.125 IN
Shaft Ground Indicator	Shaft Grounding
Shaft Rotation	Reversible
Speed Code	Single Speed
Starting Method	INVERTER SPECIAL
Thermal Device - Bearing	None
Thermal Device - Winding	None
Vibration Sensor Indicator	No Vibration Sensor
Winding Thermal 1	None
Winding Thermal 2	None

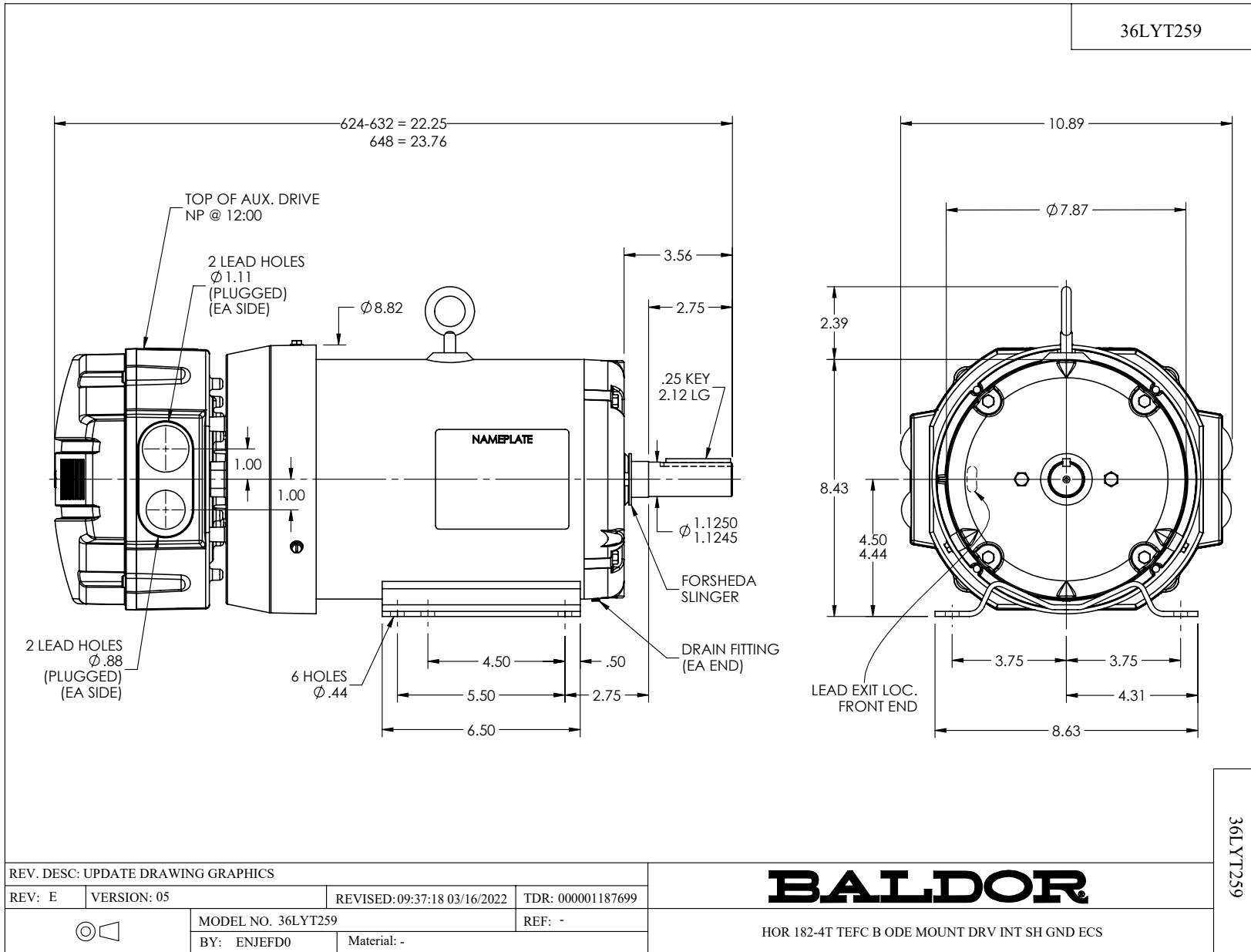
Nameplate

NP3968A01A01									
CAT.NO.	ECS100A4H5EF4								
SPEC.	36T259L097G1								
FRAME	184T		ENCL.	TEFC	IP	54			
HP	5	40	C AMB	CONT					
NOM. EFF.	93.7%	PF	97.3%	SF	1.00				
VOLTS	460		FLA	5.3					
RPM	1800		RPM-MAX	4000					
HZ	60		PH.	3	CLASS	F			
BEMF (V)	252		RS (OHMS)	3.30					
LD (MH)	54.0			LQ (MH)	191.0				
VPWM	CHP	60	TO	133					
CT	6	TO	60	VT	1	TO	60		
MATCHED INV	ECI4A5P8								
DE	6206		ODE	6205					
SERIAL #									

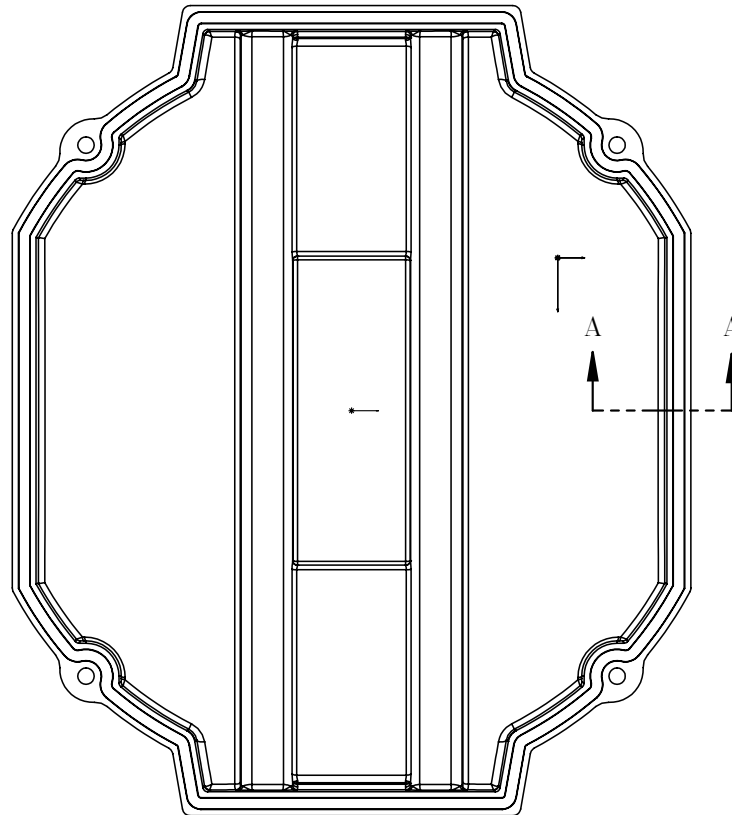
NP3978A01

PART NO.	ECI4A5P8				
U1	480	PH	3	HZ	60
I1	7.1	W/EXT. CHOKE			6.0
SERIAL #					

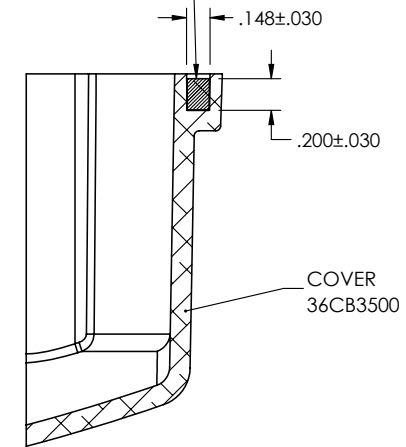
36LYT259



36CB3500A00



MATERIAL: RAMPF, RAKU-PUR 32-3280-51L



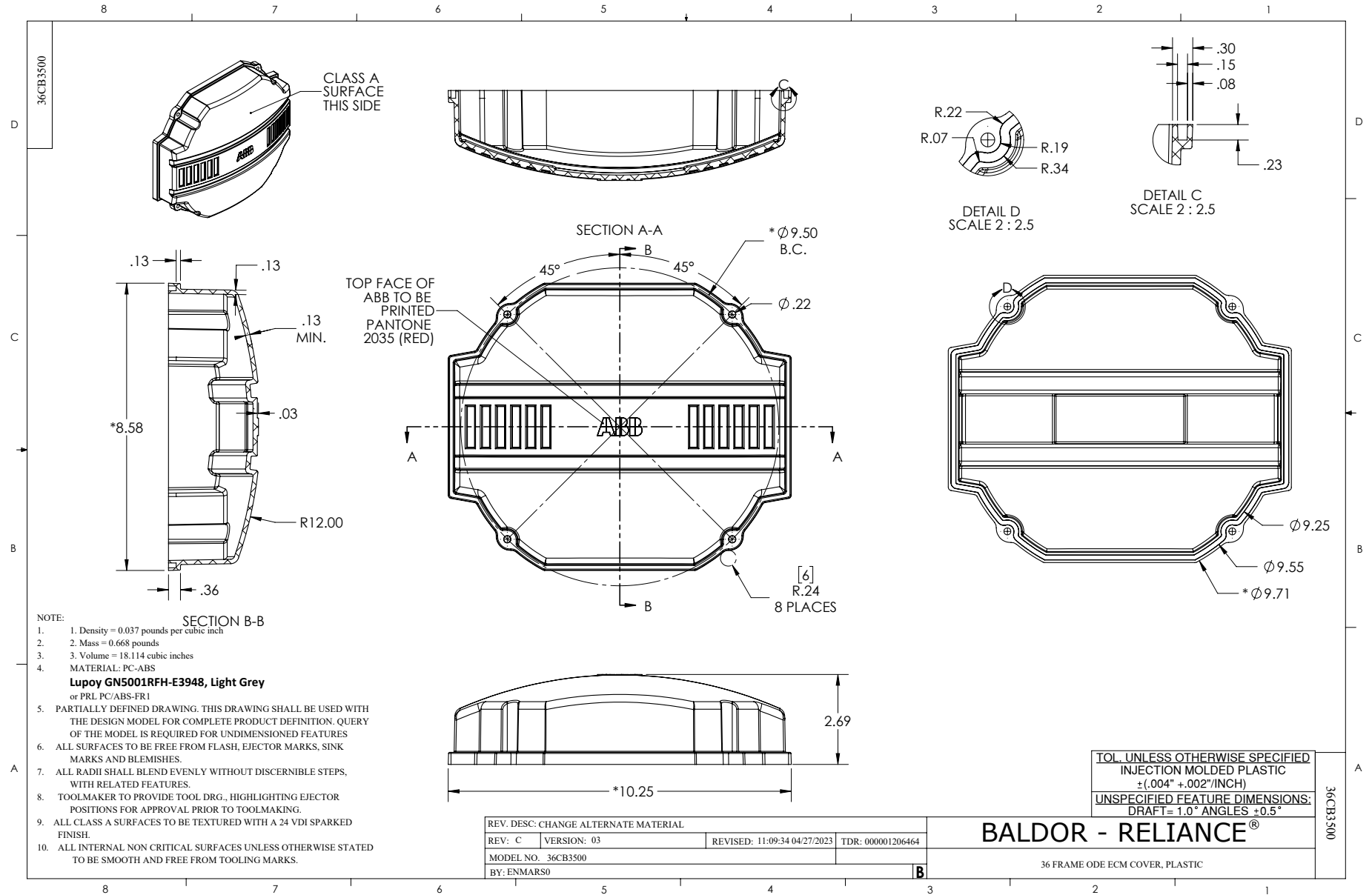
SECTION A-A

36CB3500A00

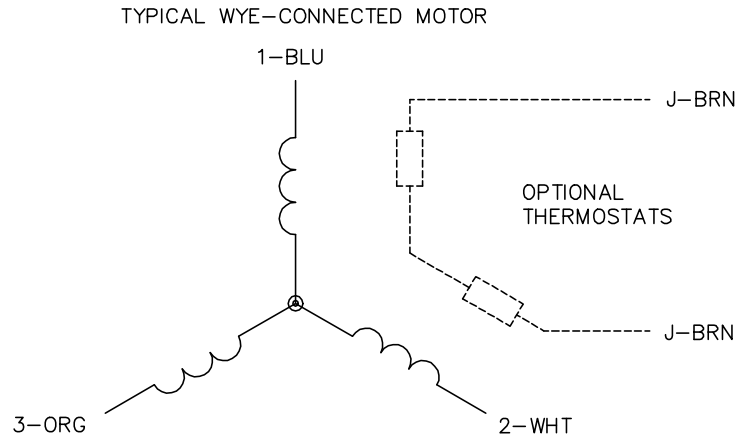
REV. DESC: UPDATE MATERIAL			
REV: A	VERSION: 01	REVISED: 10:45:08 03/29/2019	TDR: 000001101646
	MODEL NO. 36CB3500A00		REF: -
	BY: ENMARS0	Material: -	

BALDOR - RELIANCE®

36 FRAME ODE ECM COVER WITH FOAM SEAL



CD0006



NOTES:

1. THREE LEAD MOTOR MAY BE EITHER WYE CONNECTED OR DELTA CONNECTED.
2. INTERCHANGE ANY TWO LINE LEADS TO REVERSE ROTATION.
3. OPTIONAL THERMOSTATS ARE PROVIDED WHEN SPECIFIED.
4. ACTUAL NUMBER OF INTERNAL PARALLEL CIRCUITS MAY VARY.
5. LEAD COLORS ARE OPTIONAL. LEADS MUST BE NUMBERED AS SHOWN.

CD0006

REV. DESC: ADD CLASS CONN00000007		
REV. LTR: E	VERSION: 01	TDR: 000001099922
FILE: \AAA\00005\141	REVISED: 10:24:49 02/19/2019	BY: ENBRIRO
MTL: -	© □	

BALDOR - RELIANCE®

3PH, SV, 3 LEADS, WYE OR DELTA CONNECTED

SH 1 of 1