



---

# Customer information packet

## ECS100A4H2DF4

2HP, 1800RPM, 3PH, 60HZ, 145T, TEFC, AXIAL

Class - None

Division - Not Applicable

## Specifications

Enclosure	TEFC
Frame	145T
Frame Material	Steel
Frequency	60.00 Hz
Motor Letter Type	Three Phase
Phase	3
XP Class and Group	None
XP Division	Not Applicable
Agency Approvals	UL WEEE
Auxillary Box	No Auxillary Box
Auxillary Box Lead Termination	None
Base Indicator	Rigid
Bearing Grease Type	Polyrex EM (-20F +300F)
Blower	None
Constant Torque Speed Range	6
Design Code	B
Drip Cover	No Drip Cover
Duty Rating	CONT
Electrically Isolated Bearing	Not Electrically Isolated
Feedback Device	NO FEEDBACK
Front Shaft Indicator	None
Heater Indicator	No Heater
Insulation Class	B
Inverter Code	Inverter Duty
IP Rating	NONE
Lifting Lugs	No Lifting Lugs
Locked Bearing Indicator	Locked Bearing
Motor Lead Quantity/Wire Size	3 @ 18 AWG
Motor Lead Termination	Flying Leads
Motor Standards	NEMA
Motor Type	3520B

## Part detail

Revision	K
Type	AC
Mech. spec.	35E5247
Base	
Status	PRD/A
Elec. spec.	35WGZ715
Layout	35LYE5247
Eff. date	07-30-2020
CD Diagram	CD0006
Poles	04
Leads	3#18
Proprietary	False
Created date	04-24-2019

<b>Mounting Arrangement</b>	F1
<b>Number of Poles</b>	4
<b>Overall Length</b>	16.71 IN
<b>Product Family</b>	General Purpose
<b>Pulley End Bearing Type</b>	Ball
<b>Pulley Face Code</b>	Standard
<b>Pulley Shaft Indicator</b>	Standard
<b>Rodent Screen</b>	None
<b>RoHS Status</b>	ROHS COMPLIANT
<b>Shaft Diameter</b>	0.875 IN
<b>Shaft Ground Indicator</b>	Shaft Grounding
<b>Shaft Rotation</b>	Reversible
<b>Shaft Slinger Indicator</b>	No Slinger
<b>Speed Code</b>	Single Speed
<b>Starting Method</b>	INVERTER SPECIAL
<b>Thermal Device - Bearing</b>	None
<b>Thermal Device - Winding</b>	None
<b>Vibration Sensor Indicator</b>	No Vibration Sensor
<b>Winding Thermal 1</b>	None
<b>Winding Thermal 2</b>	None

**Nameplate**

<b>NP3968A01A01</b>									
<b>CAT.NO.</b>	ECS100A4H2DF4								
<b>SPEC.</b>	35E5247Z715G1								
<b>FRAME</b>	145T		<b>ENCL.</b>	TEFC	<b>IP</b>	54			
<b>HP</b>	2	40	<b>C AMB</b>		<b>CONT</b>				
<b>NOM. EFF.</b>	90.7%	<b>PF</b>	96.0%	<b>SF</b>	1.0				
<b>VOLTS</b>	460		<b>FLA</b>	2.2					
<b>RPM</b>	1800		<b>RPM-MAX</b>	4000					
<b>HZ</b>	60	<b>PH.</b>	3	<b>CLASS</b>	F				
<b>BEMF (V)</b>	246		<b>RS (OHMS)</b>	12.95					
<b>LD (MH)</b>	131		<b>LQ (MH)</b>	424					
<b>VPWM</b>	<b>CHP</b>	60	<b>TO</b>	133					
<b>CT</b>	6	<b>TO</b>	60	<b>VT</b>	1	<b>TO</b>	60		
<b>MATCHED INV</b>	ECI4A2P2								
<b>DE</b>	6205		<b>ODE</b>	6205					
<b>SERIAL #</b>									

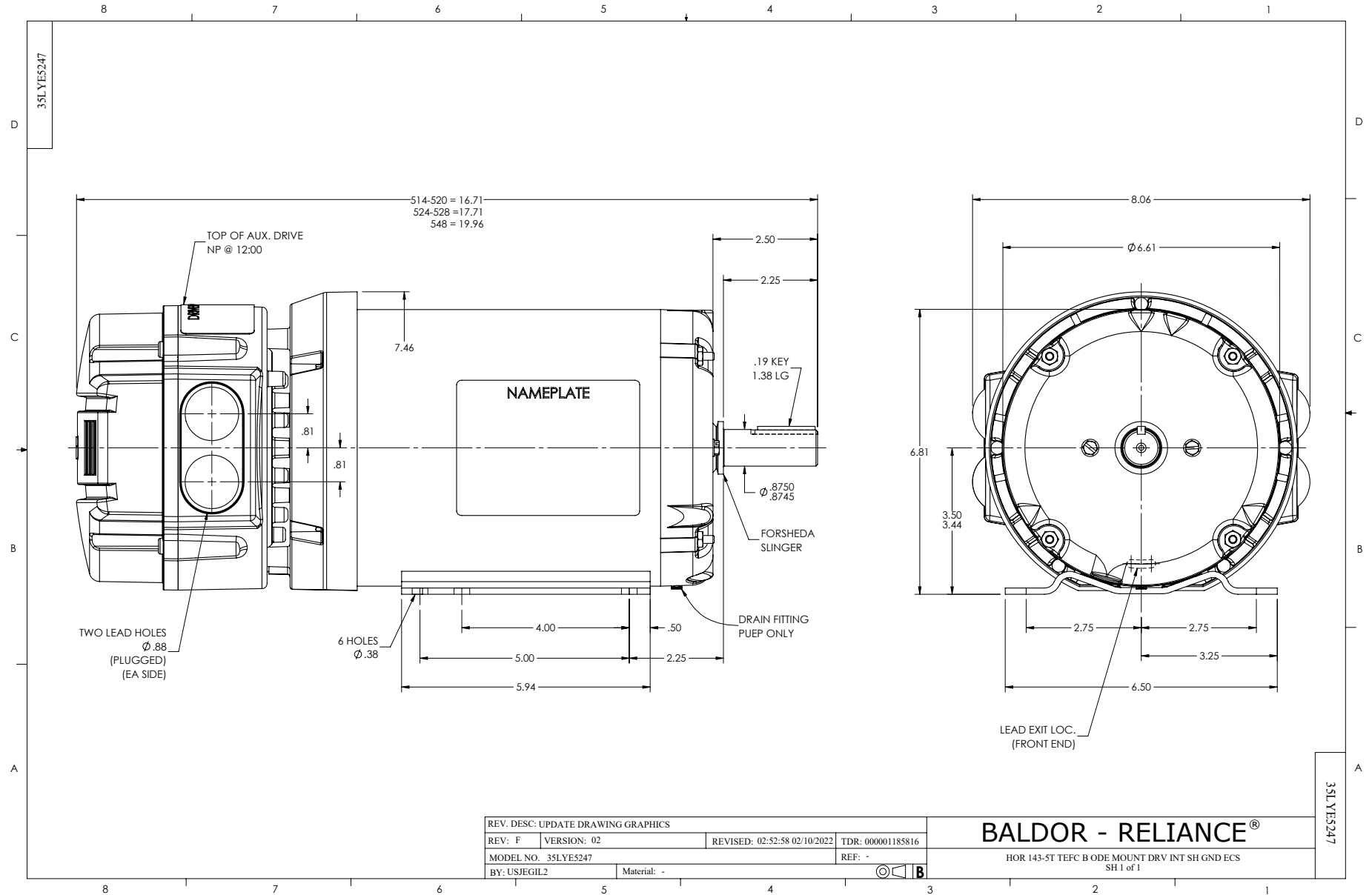
---

**NP3978A01**

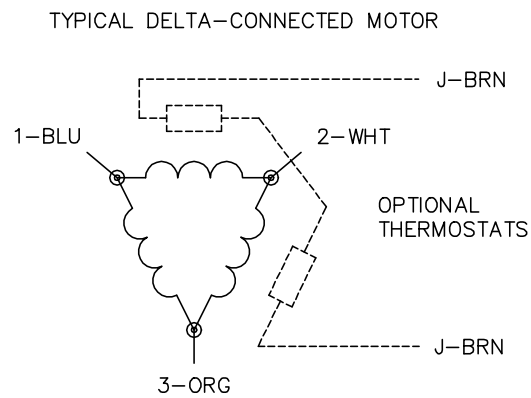
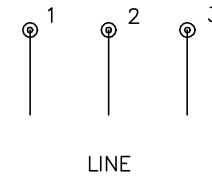
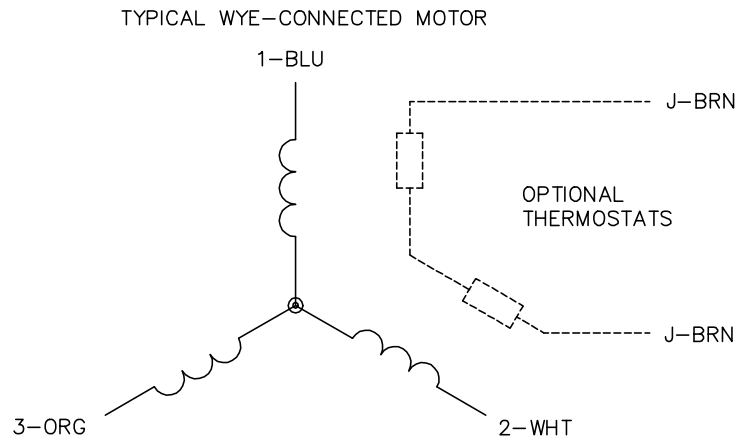
---

<b>PART NO.</b>	ECI4A2P2					
<b>U1</b>	480	<b>PH</b>	3	<b>HZ</b>	60	
<b>I1</b>	3.2	<b>W/EXT. CHOKE</b>			2.7	
<b>SERIAL #</b>						

---



CD0006



NOTES:

1. THREE LEAD MOTOR MAY BE EITHER WYE CONNECTED OR DELTA CONNECTED.
2. INTERCHANGE ANY TWO LINE LEADS TO REVERSE ROTATION.
3. OPTIONAL THERMOSTATS ARE PROVIDED WHEN SPECIFIED.
4. ACTUAL NUMBER OF INTERNAL PARALLEL CIRCUITS MAY VARY.
5. LEAD COLORS ARE OPTIONAL. LEADS MUST BE NUMBERED AS SHOWN.

CD0006

REV. DESC: ADD CLASS CONN00000007		
REV. LTR: E	VERSION: 01	TDR: 000001099922
FILE: \AAA\00005\141	REVISED: 10:24:49 02/19/2019	BY: ENBRIRO
MTL: -	© □	

**BALDOR - RELIANCE®**

3PH, SV, 3 LEADS, WYE OR DELTA CONNECTED

SH 1 of 1