

# **ABB BALDOR RELIANCE III**

---

## **Customer information packet**

ECS100A2H3EF4

3HP, 1800RPM, 3PH, 60HZ, 182T, 3624B, TEFC, F1

Class - None

Division - Not Applicable

**Specifications**

<b>Enclosure</b>	TEFC
<b>Frame</b>	182T
<b>Frame Material</b>	Steel
<b>Frequency</b>	60.00 Hz
<b>Haz Area Class and Group</b>	None
<b>Haz Area Division</b>	Not Applicable
<b>Motor Letter Type</b>	Brushless Wound Field PM Rotor
<b>Output @ Frequency</b>	3.000 HP @ 60 HZ
<b>Phase</b>	3
<b>Synchronous Speed @ Frequency</b>	1800 RPM @ 60 HZ
<b>Voltage @ Frequency</b>	230.0 V @ 60 HZ
<b>Agency Approvals</b>	WEEE BLUETOOTH
<b>Ambient Temperature</b>	40 °C
<b>Auxiliary Box</b>	NO AUXILLARY BOX
<b>Auxiliary Box Lead Termination</b>	None
<b>Base Indicator</b>	Rigid
<b>Bearing Grease Type</b>	Polyrex EM (-20F +300F)
<b>Blower</b>	None
<b>Constant Torque Speed Range</b>	6
<b>Current @ Voltage</b>	7.300 A @ 230.0 V
<b>Design Code</b>	-
<b>Drip Cover</b>	No Drip Cover
<b>Duty Rating</b>	CONT
<b>Efficiency @ 100% Load</b>	92.4 %
<b>Electrically Isolated Bearing</b>	Not Electrically Isolated
<b>Feedback Device</b>	NO FEEDBACK
<b>Heater Indicator</b>	No Heater
<b>High Voltage Full Load Amps</b>	7.3 a
<b>Insulation Class</b>	F
<b>Inverter Code</b>	INVERTER ONLY
<b>KVA Code</b>	-

**Part Detail**

<b>Revision</b>	-
<b>Type</b>	AC
<b>Mech. spec.</b>	36T259
<b>Base</b>	
<b>Status</b>	PRD/A
<b>Elec. spec.</b>	36WGG004
<b>Layout</b>	36LYT259
<b>Eff. date</b>	12-08-2025
<b>CD Diagram</b>	CD0006B03
<b>Poles</b>	04
<b>Leads</b>	3#16
<b>Proprietary</b>	False
<b>Created date</b>	12-08-2025

<b>Lifting Lugs</b>	<b>Standard Lifting Lugs</b>
<b>Locked Bearing Indicator</b>	Locked Bearing
<b>Motor Lead Quantity/Wire Size</b>	3 @ 16 AWG
<b>Motor Lead Termination</b>	Flying Leads
<b>Motor Standards</b>	NEMA
<b>Motor Type</b>	3624B
<b>Mounting Arrangement</b>	F1
<b>Number of Poles</b>	4
<b>Overall Length</b>	22.25 IN
<b>Power Factor</b>	97
<b>Product Family</b>	General Purpose
<b>Pulley Face Code</b>	Standard
<b>Rodent Screen</b>	None
<b>RoHS Status</b>	ROHS COMPLIANT
<b>Service Factor</b>	1.00
<b>Shaft Diameter</b>	1.125 IN
<b>Shaft Ground Indicator</b>	Shaft Grounding
<b>Shaft Rotation</b>	Reversible
<b>Speed</b>	1800 rpm
<b>Speed Code</b>	Single Speed
<b>Starting Method</b>	Direct on line
<b>Thermal Device - Bearing</b>	None
<b>Thermal Device - Winding</b>	None
<b>Vibration Sensor Indicator</b>	No Vibration Sensor
<b>Winding Thermal 1</b>	None
<b>Winding Thermal 2</b>	None

**Nameplate**

<b>NP3968A01A01</b>									
<b>CAT.NO.</b>	ECS100A2H3EF4								
<b>SPEC.</b>	36T259G004G1								
<b>FRAME</b>	182T		<b>ENCL.</b>	TEFC	<b>IP</b>	54			
<b>HP</b>	3	40	<b>C AMB</b>		<b>CONT</b>				
<b>NOM. EFF.</b>	92.4	<b>PF</b>	97	<b>SF</b>	1				
<b>VOLTS</b>	230		<b>FLA</b>	7.3					
<b>RPM</b>	1800		<b>RPM-MAX</b>	4000					
<b>HZ</b>	60		<b>PH.</b>	3	<b>CLASS</b>	F			
<b>BEMF (V)</b>	106		<b>RS (OHMS)</b>	0.97					
<b>LD (MH)</b>	14.4		<b>LQ (MH)</b>	54.4					
<b>VPWM</b>	<b>CHP</b>	60	<b>TO</b>	133					
<b>CT</b>	6	<b>TO</b>	60	<b>VT</b>	6	<b>TO</b>	60		
<b>MATCHED INV</b>	ECI2A10P5								
<b>DE</b>	6206		<b>ODE</b>	6205					
<b>SERIAL #</b>									

---

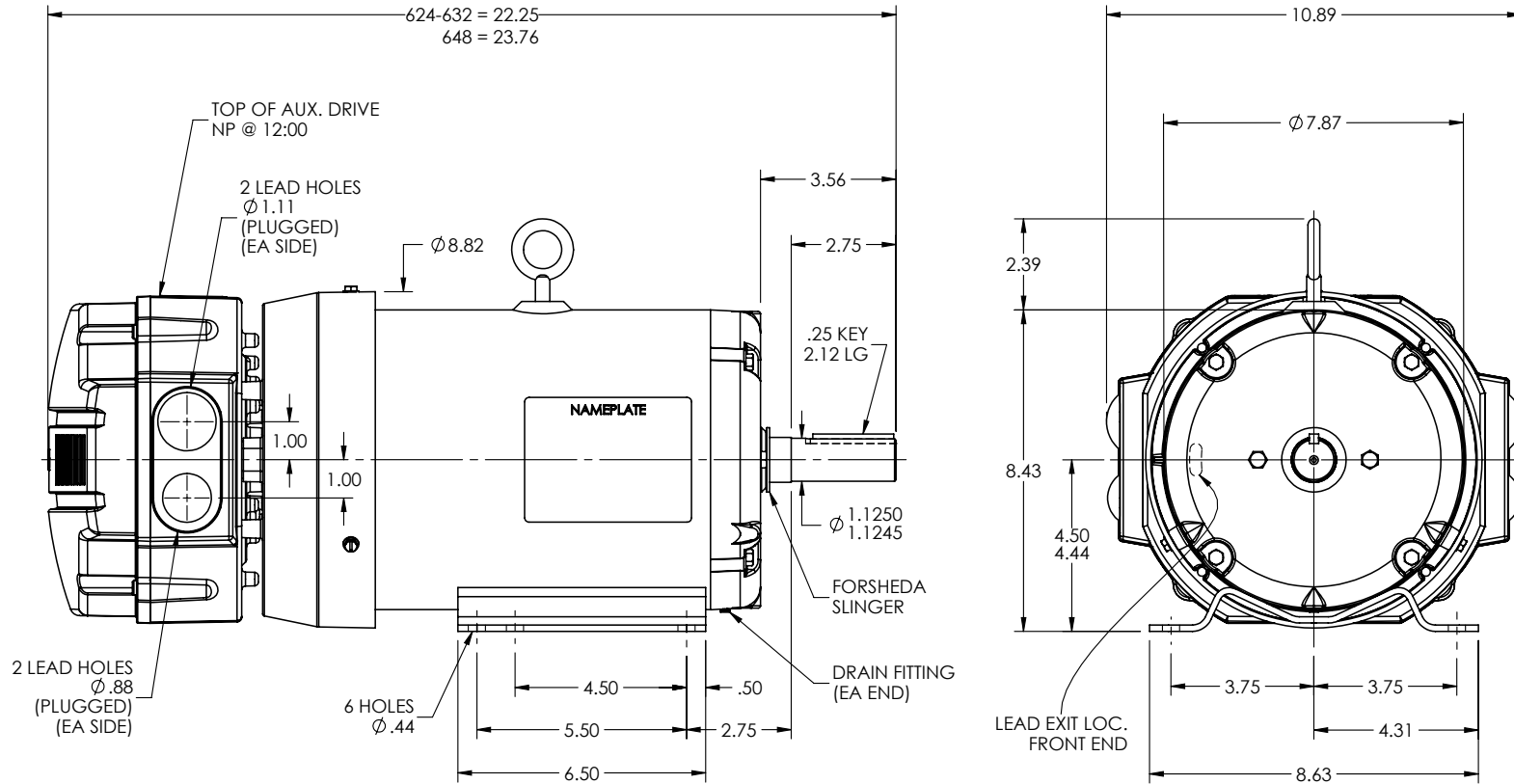
**NP3978A01**

---

<b>PART NO.</b>	ECI2A10P5					
<b>U1</b>	240	<b>PH</b>	3	<b>HZ</b>	60	
<b>I1</b>	9.3	<b>W/EXT. CHOKE</b>			7.8	
<b>SERIAL #</b>						

---

36LYT259



REV. DESC: UPDATE DRAWING GRAPHICS

REV: E	VERSION: 05	REVISED: 09:37:18 03/16/2022	TDR: 000001187699
--------	-------------	------------------------------	-------------------



MODEL NO. 36LYT259

REF: -

BY: ENJEFD0

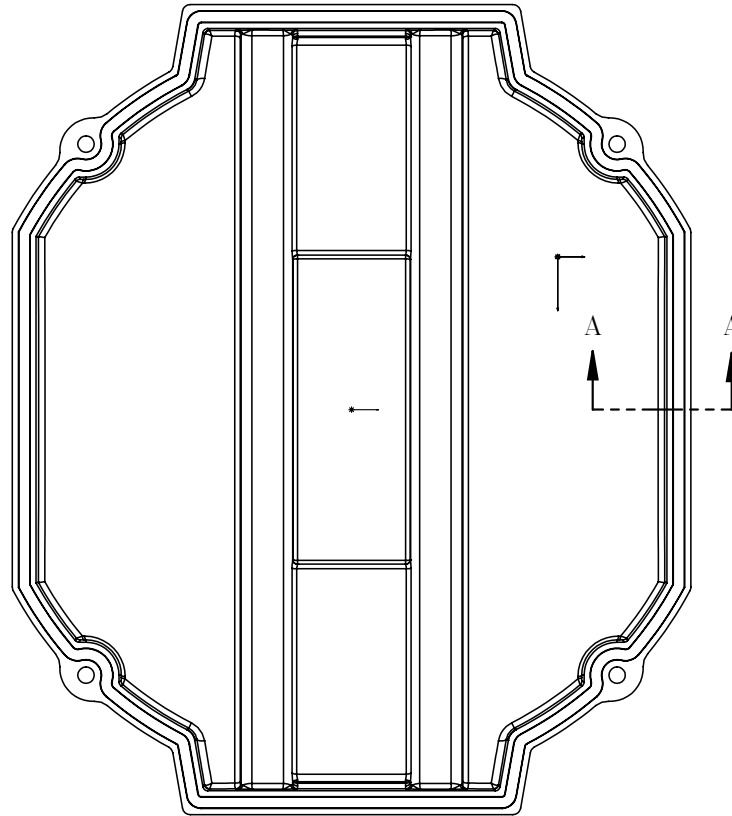
Material: -

**BALDOR**

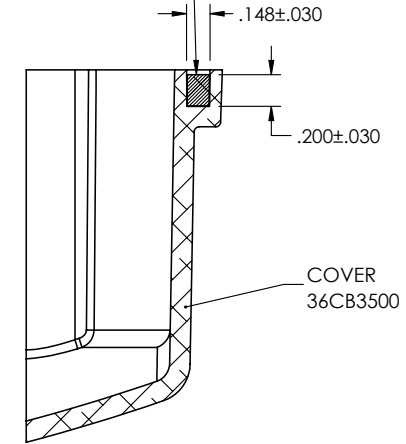
HOR 182-4T TEFC B ODE MOUNT DRV INT SH GND ECS

36LYT259

36CB3500A00



MATERIAL: RAMPF, RAKU-PUR 32-3280-51L



SECTION A-A

36CB3500A00

REV. DESC: UPDATE MATERIAL

REV: A	VERSION: 01	REVISED: 10:45:08 03/29/2019	TDR: 000001101646
--------	-------------	------------------------------	-------------------



MODEL NO. 36CB3500A00

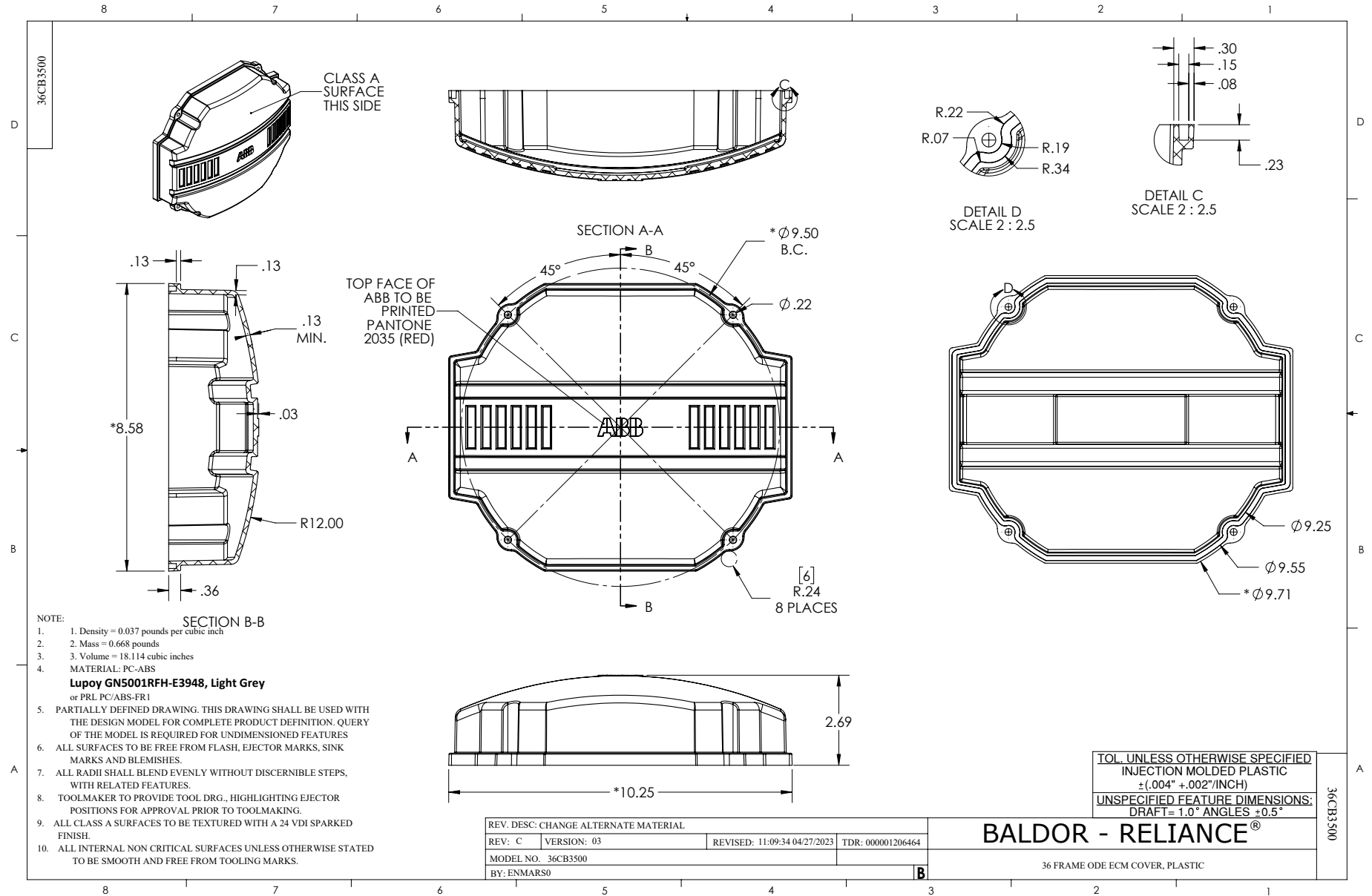
REF: -

BY: ENMARS0

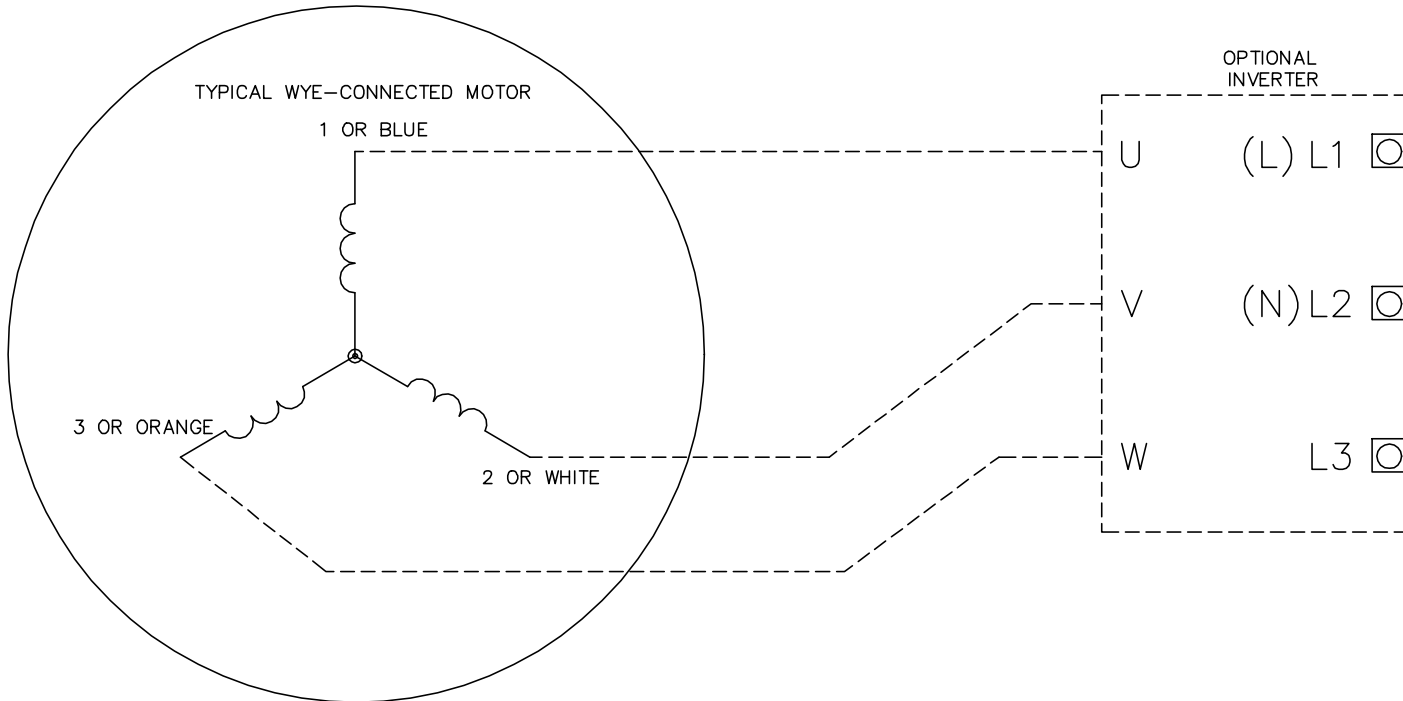
Material: -

**BALDOR - RELIANCE®**

36 FRAME ODE ECM COVER WITH FOAM SEAL



CD0006B03



**NOTES:**

1. INTERCHANGE ANY TWO LINE LEADS TO REVERSE ROTATION.
2. ACTUAL NUMBER OF INTERNAL PARALLEL CIRCUITS MAY VARY.

CD0006B03

REV. DESC: CHANGE LEAD COLORS TO BLUE WHITE ORANGE		
REV. LTR: A	VERSION: 01	TDR: 000001158598
FILE: \AAA\00252\917	REVISED: 11:01:03 01/19/2021	BY: ENMARSO
MTL: -	© □	

**BALDOR - RELIANCE®**

3PH, SV, 3 LEADS, WYE CONNECTED, ECS

SH 1 of 1