

BALDOR • RELIANCE

Customer information packet

ECR9504T

50HP, 1775RPM, 3PH, 60HZ, 326T, 1272M, TEFC, F1

Class - None

Division - Not Applicable

Specifications

Enclosure	TEFC
Frame	326T
Frame Material	Iron
Frequency	60.00 Hz
Haz Area Class and Group	None
Haz Area Division	Not Applicable
Motor Letter Type	Three Phase
Output @ Frequency	50.000 HP @ 60 HZ
Phase	3
Synchronous Speed @ Frequency	1800 RPM @ 60 HZ
Voltage @ Frequency	230.0 V @ 60 HZ 460.0 V @ 60 HZ
Agency Approvals	CCSA US CSA EEV NEMA PREMIUM NEMA_PREMIUM UR
Ambient Temperature	40 °C
Auxillary Box	No Auxillary Box
Auxillary Box Lead Termination	None
Base Indicator	Rigid
Bearing Grease Type	Polyrex EM (-20F +300F)
Blower	None
Constant Torque Speed Range	6
Current @ Voltage	122.000 A @ 230.0 V 61.000 A @ 460.0 V
Design Code	A
Drip Cover	No Drip Cover
Duty Rating	CONT
Efficiency @ 100% Load	94.5 %
Electrically Isolated Bearing	Not Electrically Isolated
Feedback Device	NO FEEDBACK

Part detail

Revision	M
Type	AC
Mech. spec.	12H518
Base	
Status	PRD/A
Elec. spec.	12WGY875
Layout	12LYH518
Eff. date	08-01-2023
CD Diagram	CD0005
Poles	04
Leads	9#8
Proprietary	False
Created date	01-07-2015

Front Face Code	Standard
Front Shaft Indicator	None
Heater Indicator	No Heater
High Voltage Full Load Amps	61.0 a
Insulation Class	F
Inverter Code	Inverter Duty
KVA Code	G
Lifting Lugs	Standard Lifting Lugs
Locked Bearing Indicator	Locked Bearing
Max Speed	2700 rpm
Motor Lead Exit	Ko Box
Motor Lead Quantity/Wire Size	9 @ 8 AWG
Motor Lead Termination	Flying Leads
Motor Standards	NEMA
Motor Type	1272M
Mounting Arrangement	F1
Number of Poles	4
Overall Length	30.66 IN
Power Factor	81
Product Family	Super-E Chemical Processing
Pulley End Bearing Type	Ball
Pulley Face Code	Standard
Pulley Shaft Indicator	Standard
Rodent Screen	None
Service Factor	1.25
Shaft Diameter	2.125 IN
Shaft Extension Location	Pulley End
Shaft Ground Indicator	No Shaft Grounding
Shaft Rotation	Reversible
Shaft Slinger Indicator	Shaft Slinger
Speed	1775 rpm
Speed Code	Single Speed
Starting Method	Direct on line
Thermal Device - Bearing	None

Thermal Device - Winding	None
Vibration Sensor Indicator	No Vibration Sensor
Winding Thermal 1	None
Winding Thermal 2	None

Nameplate

NP3293

CAT.NO.	ECR9504T	P/N		ENCLOSURE	TEFC				
SPEC.	12H518Y875G1	CC	010A	FRAME	326T	S/N			
HP	50	CLASS	F	HZ	60	DES	A		
RPM	1775	RPM MAX	2700	PH	3	KVA-CODE	G		
VOLT	230/460	I.P.	55						
AMP	122/61	SER.F.	1.25	PF	81	ODE BRG	6312	DE BRG	6313
RATING	40C AMB-CONT	NEMA-NOM-EFF	94.5	GREASE	POLYREX EM				
HTR-VOLTS	HTR-AMPS	HTR-WATTS		INV.TYPE					
	SFA 150/75								
		C HP FR	60	C HP TO	90				
		CT HZ FROM	6	CT HZ TO	60				
		MOTOR WEIGHT	525	VT HZ FROM	6	VT HZ TO	60		

AC Induction Motor Performance Data

Record # 48738

Typical performance - not guaranteed values

Winding: 12WGY875-R001		Type: 1272M		Enclosure: TEFC		
Nameplate Data			460 V, 60 Hz: High Voltage Connection			
Rated Output (HP)	50		Full Load Torque	147 LB-FT		
Volts	230/460		Start Configuration	direct on line		
Full Load Amps	122/61		Breakdown Torque	406 LB-FT		
R.P.M.	1775		Pull-up Torque	292 LB-FT		
Hz	60	Phase	3	Locked-rotor Torque	403 LB-FT	
NEMA Design Code	A		KVA Code	G	Starting Current	394 A
Service Factor (S.F.)	1.25		No-load Current	24.6 A		
NEMA Nom. Eff.	94.5	Power Factor	81	Line-line Res. @ 25°C	0.106 Ω	
Rating - Duty	40C AMB-CONT		Temp. Rise @ Rated Load	61°C		
S.F. Amps	150/75		Temp. Rise @ S.F. Load	83°C		
			Locked-rotor Power Factor	29.4		
			Rotor inertia	9.55 LB-FT ²		

Load Characteristics 460 V, 60 Hz, 50 HP

% of Rated Load	25	50	75	100	125	150	S.F.
Power Factor	45	68	77	81	83	83	83
Efficiency	92.9	95.1	95.6	94.9	94.9	93.9	94.9
Speed	1795	1790	1785	1780	1774	1767	1774
Line amperes	28	36.9	47.8	60.5	75.1	90.5	75.1

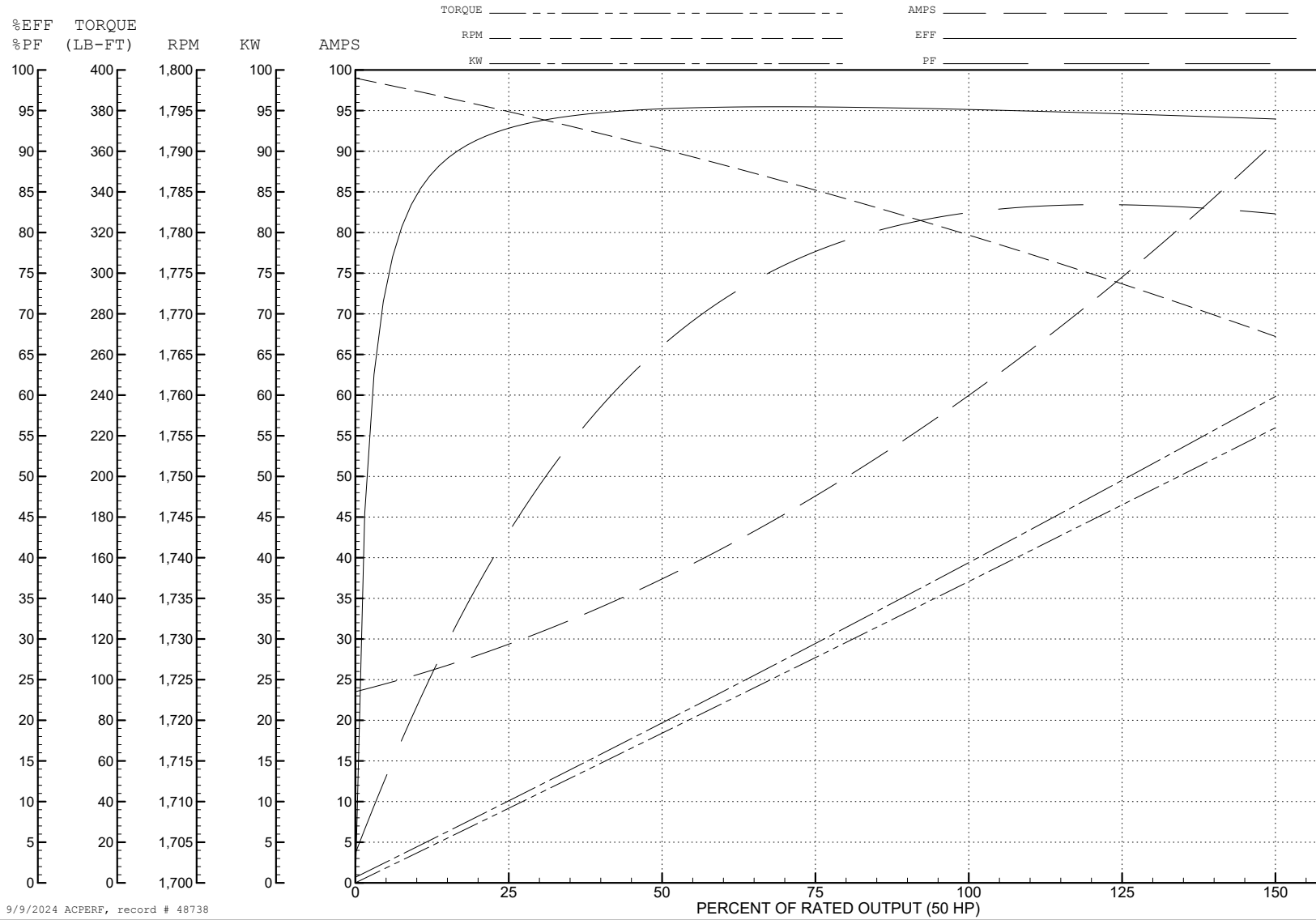
ABB Motors and Mechanical Inc.

WINDING # 12WGY875

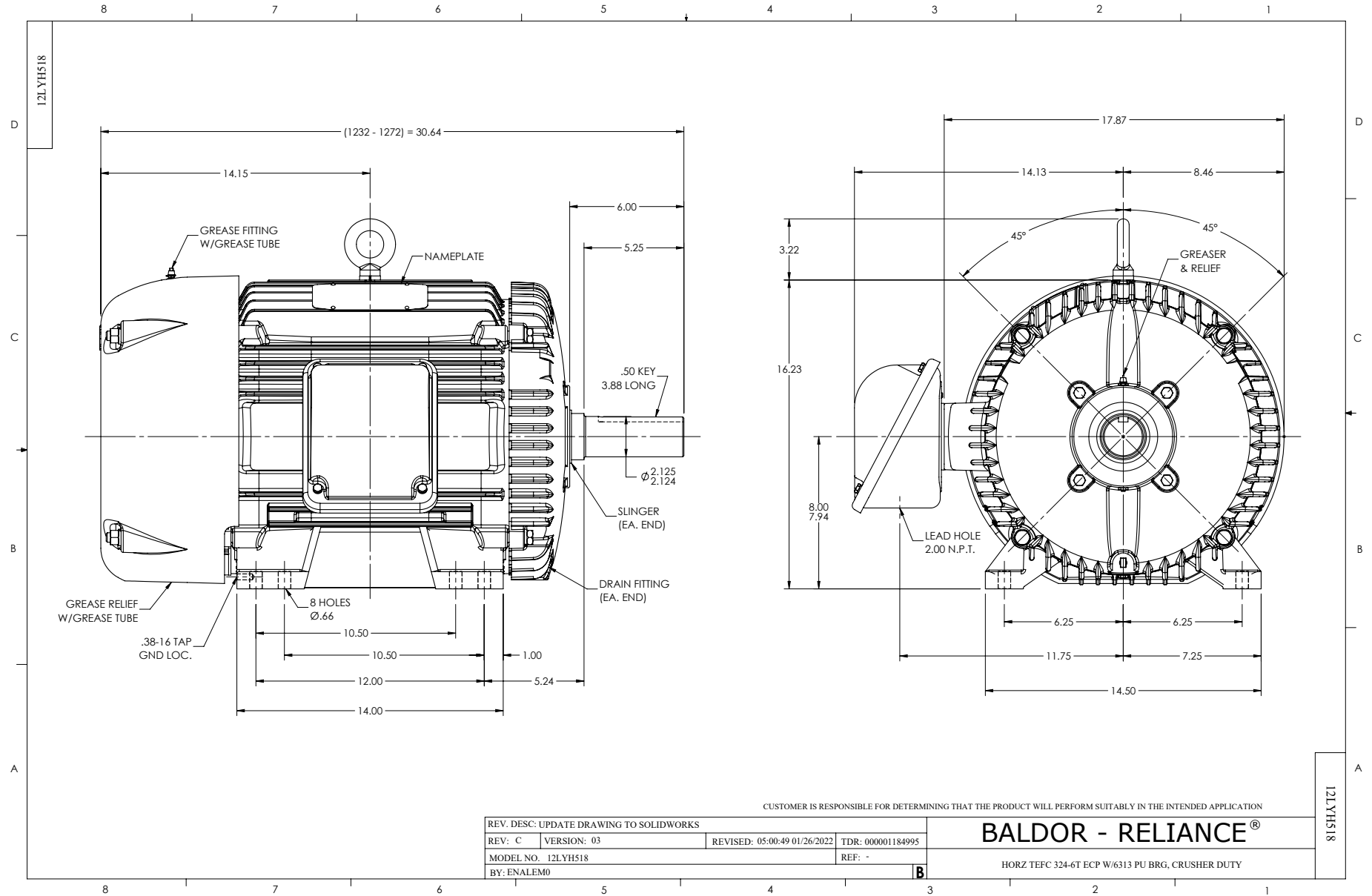
Typical performance - not guaranteed values.

50 HP 3 PH 60 HZ 1775 RPM 460 V 1272M

TORQUES (LB-FT): PO=406 PU=292 LR=403 LRA=394



9/9/2024 ACPERF, record # 48738



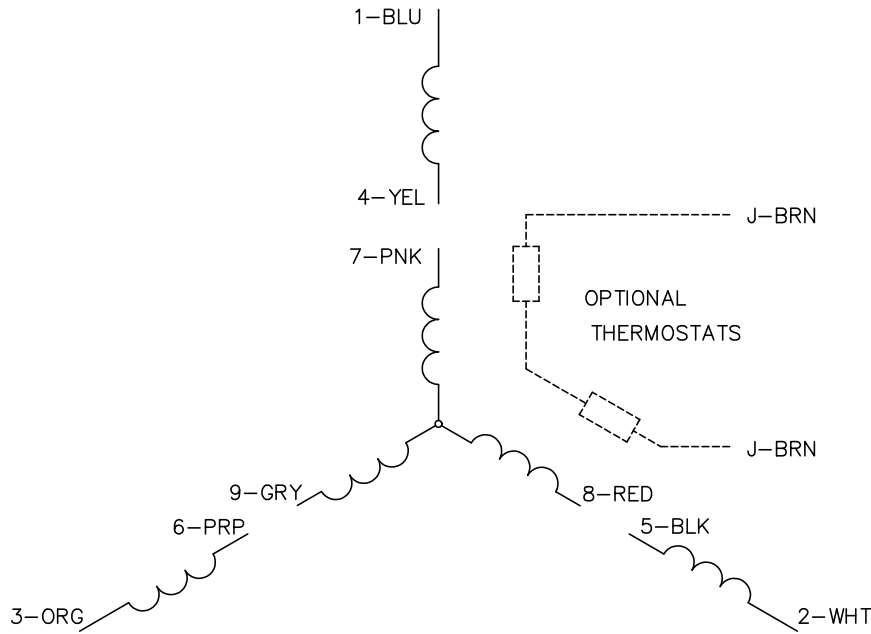
CUSTOMER IS RESPONSIBLE FOR DETERMINING THAT THE PRODUCT WILL PERFORM SUITABLY IN THE INTENDED APPLICATION

REV. DESC: UPDATE DRAWING TO SOLIDWORKS			
REV: C	VERSION: 03	REVISED: 05:00:49 01/26/2022	TDR: 000001184995
MODEL NO. 12LYH518		REF: -	
BY: ENALEM0		B	

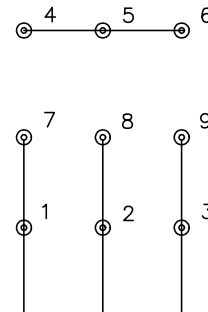
BALDOR - RELIANCE®

HORZ TEFC 324-6T ECP W/6313 PU BRG, CRUSHER DUTY

CD0005

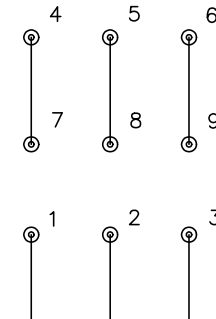


LOW VOLTAGE
(2Y)



LINE

HIGH VOLTAGE
(1Y)



LINE

NOTES:

1. INTERCHANGE ANY TWO LINE LEADS TO REVERSE ROTATION.
2. OPTIONAL THERMOSTATS ARE PROVIDED WHEN SPECIFIED.
3. ACTUAL NUMBER OF INTERNAL PARALLEL CIRCUITS MAY BE A MULTIPLE OF THOSE SHOWN ABOVE.
4. LEAD COLORS ARE OPTIONAL. LEADS MUST ALWAYS BE NUMBERED AS SHOWN.

CD0005

REV. DESC: REVISE TO SHOW OPTIONAL COLORS			
REV. LTR: E	BY: JLP	REVISED: 01/19/99 10:15	TDR: 0171435
S00000		FILE: AAA00005140	MDL: -
		MTL: -	

BALDOR ELECTRIC Co.

3PH, DV, 9 LEADS