



Customer information packet

ECR9256T

25HP, 1180RPM, 3PH, 60HZ, 324T, 1272M, TEFC, F1

Class - None

Division - Not Applicable

Specifications

Enclosure	TEFC
Frame	324T
Frame Material	Iron
Frequency	60.00 Hz
Motor Letter Type	Three Phase
Output @ Frequency	25.000 HP @ 60 HZ
Phase	3
Synchronous Speed @ Frequency	1200 RPM @ 60 HZ
Voltage @ Frequency	230.0 V @ 60 HZ 460.0 V @ 60 HZ
XP Class and Group	None
XP Division	Not Applicable
Agency Approvals	CCSA US CSA EEV NEMA PREMIUM NEMA_PREMIUM UR
Ambient Temperature	40 °C
Auxillary Box	No Auxillary Box
Auxillary Box Lead Termination	None
Base Indicator	Rigid
Bearing Grease Type	Polyrex EM (-20F +300F)
Blower	None
Constant Torque Speed Range	6
Current @ Voltage	34.000 A @ 460.0 V 68.000 A @ 230.0 V
Design Code	A
Drip Cover	No Drip Cover
Duty Rating	CONT
Efficiency @ 100% Load	93.0 %
Electrically Isolated Bearing	Not Electrically Isolated
Feedback Device	NO FEEDBACK

Part detail

Revision	P
Type	AC
Mech. spec.	12H518
Base	
Status	PRD/A
Elec. spec.	12WGY877
Layout	12LYH518
Eff. date	08-01-2023
CD Diagram	CD0180
Poles	06
Leads	9#8
Proprietary	False
Created date	01-07-2015

Front Face Code	Standard
Front Shaft Indicator	None
Heater Indicator	No Heater
High Voltage Full Load Amps	34.0 a
Insulation Class	F
Inverter Code	Inverter Duty
KVA Code	K
Lifting Lugs	Standard Lifting Lugs
Locked Bearing Indicator	Locked Bearing
Max Speed	1800 rpm
Motor Lead Exit	Ko Box
Motor Lead Quantity/Wire Size	9 @ 8 AWG
Motor Lead Termination	Flying Leads
Motor Standards	NEMA
Motor Type	1272M
Mounting Arrangement	F1
Number of Poles	6
Overall Length	30.66 IN
Power Factor	74
Product Family	Super-E Chemical Processing
Pulley End Bearing Type	Ball
Pulley Face Code	Standard
Pulley Shaft Indicator	Standard
Rodent Screen	None
Service Factor	1.25
Shaft Diameter	2.125 IN
Shaft Extension Location	Pulley End
Shaft Ground Indicator	No Shaft Grounding
Shaft Rotation	Reversible
Shaft Slinger Indicator	Shaft Slinger
Speed	1180 rpm
Speed Code	Single Speed
Starting Method	Direct on line
Thermal Device - Bearing	None

Thermal Device - Winding	None
Vibration Sensor Indicator	No Vibration Sensor
Winding Thermal 1	None
Winding Thermal 2	None

Nameplate

NP3293

CAT.NO.	ECR9256T	P/N		ENCLOSURE	TEFC				
SPEC.	12H518Y877G1	CC	010A	FRAME	324T	S/N			
HP	25	CLASS	F	HZ	60	DES	A		
RPM	1180	RPM MAX	1800	PH	3	KVA-CODE	K		
VOLT	230/460	I.P.	55						
AMP	68/34	SER.F.	1.25	PF	74	ODE BRG	6312	DE BRG	6313
RATING	40C AMB-CONT	NEMA-NOM-EFF	93	GREASE	POLYREX EM				
HTR-VOLTS	HTR-AMPS	HTR-WATTS		INV.TYPE					
	SFA 80/40								
		C HP FR	60	C HP TO	90				
		CT HZ FROM	6	CT HZ TO	60				
		MOTOR WEIGHT	630	VT HZ FROM	6	VT HZ TO	60		

AC Induction Motor Performance Data

Record # 50104

Typical performance - not guaranteed values

Winding: 12WGY877-R001		Type: 1272M	Enclosure: TEFC	
Nameplate Data			460 V, 60 Hz: High Voltage Connection	
Rated Output (HP)	25	Full Load Torque	110 LB-FT	
Volts	230/460	Start Configuration	direct on line	
Full Load Amps	68/34	Breakdown Torque	363 LB-FT	
R.P.M.	1180	Pull-up Torque	190 LB-FT	
Hz	60 Phase	3	Locked-rotor Torque	241 LB-FT
NEMA Design Code	A KVA Code	K	Starting Current	252 A
Service Factor (S.F.)	1.25	No-load Current	18 A	
NEMA Nom. Eff.	93 Power Factor	74	Line-line Res. @ 25°C	0.199 Ω
Rating - Duty	40C AMB-CONT	Temp. Rise @ Rated Load	38°C	
S.F. Amps	80/40	Temp. Rise @ S.F. Load	49°C	
		Locked-rotor Power Factor	27.7	
		Rotor inertia	13.8 LB-FT ²	

Load Characteristics 460 V, 60 Hz, 25 HP

% of Rated Load	25	50	75	100	125	150	S.F.
Power Factor	35	55	68	74	78	80	78
Efficiency	87	92	93.5	93.5	93.9	93.7	93.9
Speed	1197	1195	1191	1188	1184	1181	1184
Line amperes	19.5	23	27.8	33.8	40	46.9	40

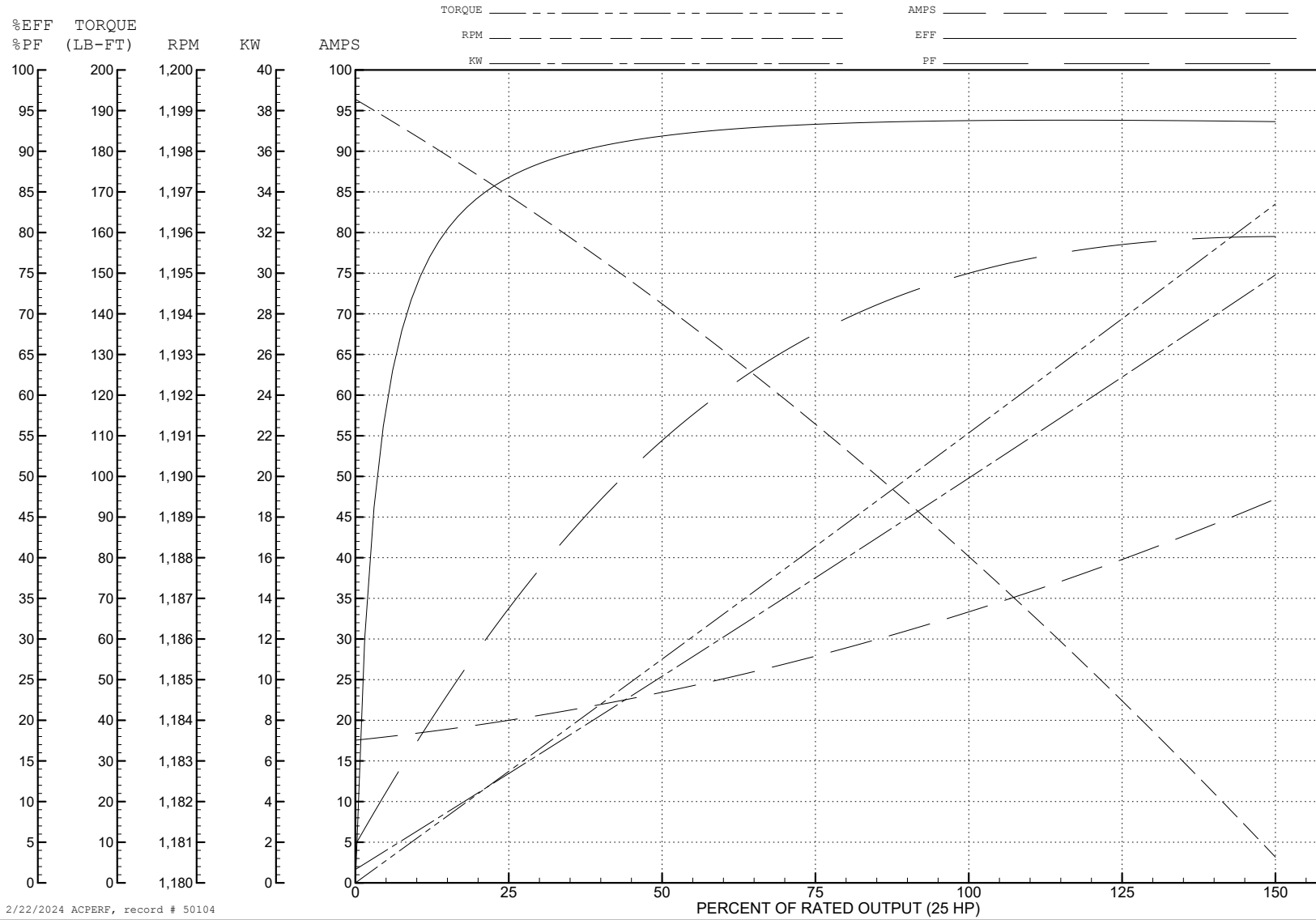
ABB Motors and Mechanical Inc.

WINDING # 12WGY877

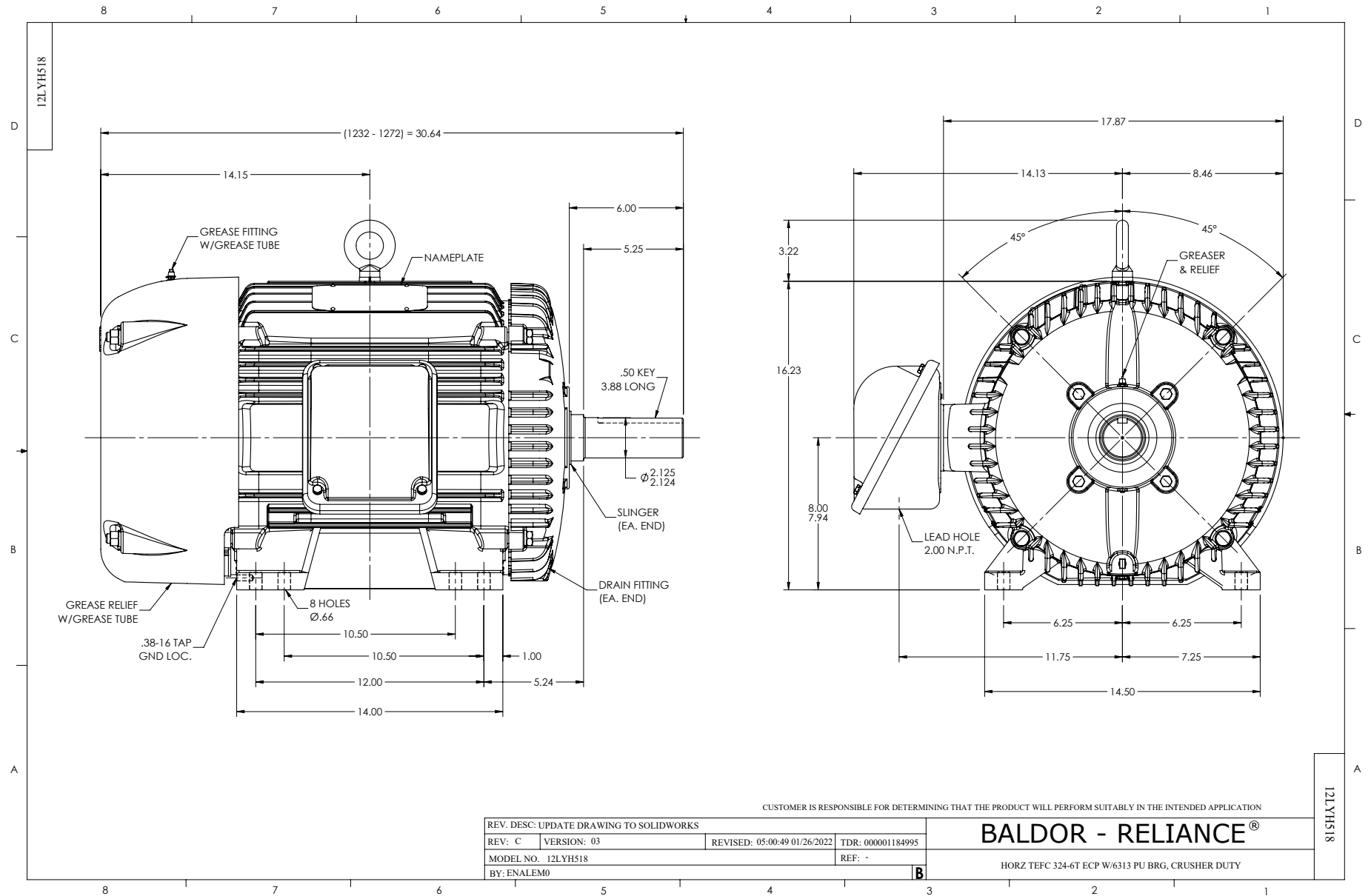
Typical performance - not guaranteed values.

25 HP 3 PH 60 HZ 1180 RPM 460 V 1272M

TORQUES (LB-FT): PO=363 PU=190 LR=241 LRA=252



2/22/2024 ACPERF, record # 50104



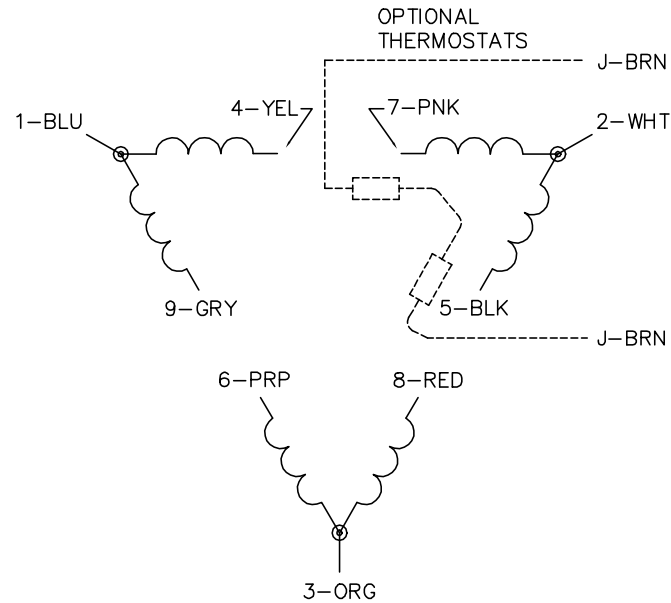
CUSTOMER IS RESPONSIBLE FOR DETERMINING THAT THE PRODUCT WILL PERFORM SUITABLY IN THE INTENDED APPLICATION

REV. DESC: UPDATE DRAWING TO SOLIDWORKS			
REV: C	VERSION: 03	REVISED: 05:00:49 01/26/2022	TDR: 000001184995
MODEL NO. 12LYH518		REF: -	
BY: ENALEM0			

BALDOR - RELIANCE®

HORZ TEFC 324-6T ECP W/6313 PU BRG, CRUSHER DUTY

CD0180



LOW VOLTAGE
(2D)



HIGH VOLTAGE
(1D)



NOTES:

1. INTERCHANGE ANY TWO LINE LEADS TO REVERSE ROTATION.
2. OPTIONAL THERMOSTATS ARE PROVIDED WHEN SPECIFIED.
3. ACTUAL NUMBER OF INTERNAL PARALLEL CIRCUITS MAY BE A MULTIPLE OF THOSE SHOWN ABOVE.
4. LEAD COLORS ARE OPTIONAL. LEADS MUST ALWAYS BE NUMBERED AS SHOWN.

CD0180

REV. DESC: ADD CLASS CONN00000007		
REV. LTR: D	VERSION: 01	TDR: 000001099922
FILE: \AAA\00005\148	REVISED: 10: 25: 29 02/19/2019	BY: ENBRIRO
MTL: -	© □	

BALDOR - RELIANCE®

3PH, DV, 9 LEADS, DELTA CONNECTION

SH 1 of 1