



Customer information packet

ECR9154T

15HP, 1765RPM, 3PH, 60HZ, 254T, 0948M, TEFC, F1

Class - None

Division - Not Applicable

Specifications

Enclosure	TEFC
Frame	254T
Frame Material	Iron
Frequency	60.00 Hz
Haz Area Class and Group	None
Haz Area Division	Not Applicable
Motor Letter Type	Three Phase
Output @ Frequency	15.000 HP @ 60 HZ
Phase	3
Synchronous Speed @ Frequency	1800 RPM @ 60 HZ
Voltage @ Frequency	460.0 V @ 60 HZ 230.0 V @ 60 HZ
Agency Approvals	CCSA US CSA EEV NEMA PREMIUM NEMA_PREMIUM UR
Ambient Temperature	40 °C
Auxillary Box	No Auxillary Box
Auxillary Box Lead Termination	None
Base Indicator	Rigid
Bearing Grease Type	Polyrex EM (-20F +300F)
Blower	None
Constant Torque Speed Range	6
Current @ Voltage	40.000 A @ 208.0 V 37.200 A @ 230.0 V 18.600 A @ 460.0 V
Design Code	A
Drip Cover	No Drip Cover
Duty Rating	CONT
Efficiency @ 100% Load	92.4 %
Electrically Isolated Bearing	Not Electrically Isolated

Part detail

Revision	W
Type	AC
Mech. spec.	09L575
Base	
Status	PRD/A
Elec. spec.	09WGT152
Layout	09LYL575
Eff. date	06-24-2024
CD Diagram	CD0180
Poles	04
Leads	9#12 Y
Proprietary	False
Created date	01-14-2015

Feedback Device	NO FEEDBACK
Front Face Code	Standard
Front Shaft Indicator	None
Heater Indicator	No Heater
High Voltage Full Load Amps	18.6 a
Insulation Class	F
Inverter Code	Inverter Duty
KVA Code	H
Lifting Lugs	Standard Lifting Lugs
Locked Bearing Indicator	Locked Bearing
Max Speed	2700 rpm
Motor Lead Exit	Ko Box
Motor Lead Quantity/Wire Size	9 @ 12 AWG
Motor Lead Termination	Flying Leads
Motor Standards	NEMA
Motor Type	0948M
Mounting Arrangement	F1
Number of Poles	4
Overall Length	24.77 IN
Power Factor	82
Product Family	Super-E Chemical Processing
Pulley End Bearing Type	Ball
Pulley Face Code	Standard
Pulley Shaft Indicator	Standard
Rodent Screen	None
Service Factor	1.25
Shaft Diameter	1.625 IN
Shaft Extension Location	Pulley End
Shaft Ground Indicator	No Shaft Grounding
Shaft Rotation	Reversible
Shaft Slinger Indicator	Shaft Slinger
Speed	1765 rpm
Speed Code	Single Speed
Starting Method	Direct on line

Thermal Device - Bearing	None
Thermal Device - Winding	None
Vibration Sensor Indicator	No Vibration Sensor
Winding Thermal 1	None
Winding Thermal 2	None

Nameplate

NP3293

CAT.NO.	ECR9154T	P/N		ENCLOSURE	TEFC				
SPEC.	09L575T152G1	CC	010A	FRAME	254T	S/N			
HP	15	CLASS	F	HZ	60	DES	A		
RPM	1765	RPM MAX	2700	PH	3	KVA-CODE	H		
VOLT	230/460	I.P.	55						
AMP	37.2/18.6	SER.F.	1.25	PF	82	ODE BRG	6309	DE BRG	6311
RATING	40C AMB-CONT	NEMA-NOM-EFF	92.4	GREASE	POLYREX EM				
HTR-VOLTS	HTR-AMPS	HTR-WATTS		INV.TYPE					
	SFA 46/23								
		C HP FR	60	C HP TO	90				
		CT HZ FROM	6	CT HZ TO	60				
		MOTOR WEIGHT	325	VT HZ FROM	6	VT HZ TO	60		

AC Induction Motor Performance Data

Record # 48597

Typical performance - not guaranteed values

Winding: 09WGT152-R001		Type: 0948M		Enclosure: TEFC	
Nameplate Data			460 V, 60 Hz: High Voltage Connection		
Rated Output (HP)	15	Full Load Torque	44.7 LB-FT		
Volts	230/460	Start Configuration	direct on line		
Full Load Amps	37.2/18.6	Breakdown Torque	145 LB-FT		
R.P.M.	1765	Pull-up Torque	78.4 LB-FT		
Hz	60 Phase	3	Locked-rotor Torque	119 LB-FT	
NEMA Design Code	A KVA Code	H	Starting Current	120 A	
Service Factor (S.F.)	1.25	No-load Current	7.67 A		
NEMA Nom. Eff.	92.4 Power Factor	82	Line-line Res. @ 25°C	0.548 Ω	
Rating - Duty	40C AMB-CONT	Temp. Rise @ Rated Load	53°C		
S.F. Amps	46/23	Temp. Rise @ S.F. Load	65°C		
		Locked-rotor Power Factor	39.5		
		Rotor inertia	2.09 lb-ft ²		

Load Characteristics 460 V, 60 Hz, 15 HP

% of Rated Load	25	50	75	100	125	150	S.F.
Power Factor	45	67	77	82	84	84	83
Efficiency	89	92.5	93	92.6	91.7	90.5	92.1
Speed	1793	1786	1777	1768	1758	1747	1762
Line amperes	8.81	11.3	14.7	18.6	23	27.7	21.2

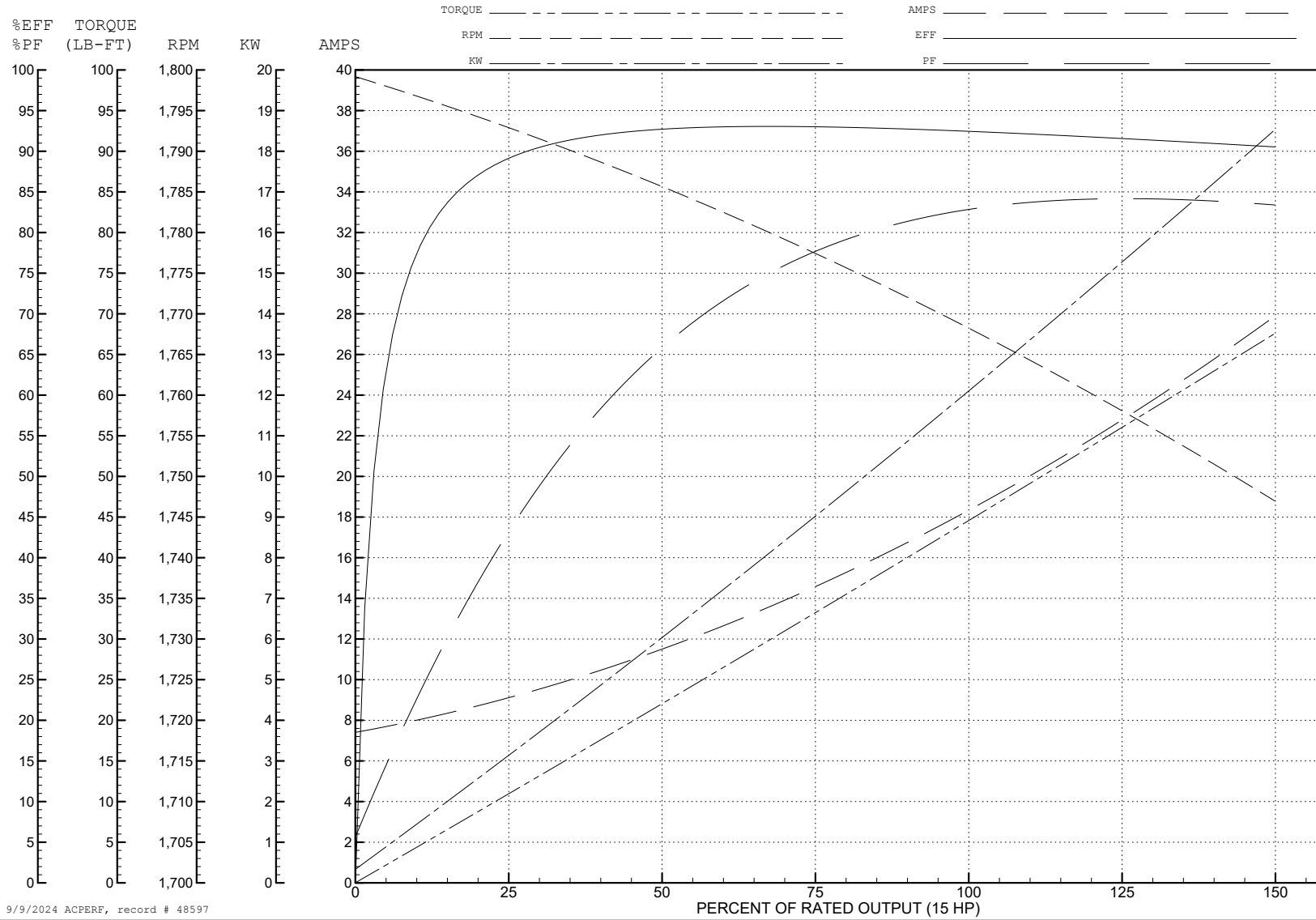
ABB Motors and Mechanical Inc.

WINDING # 09WGT152

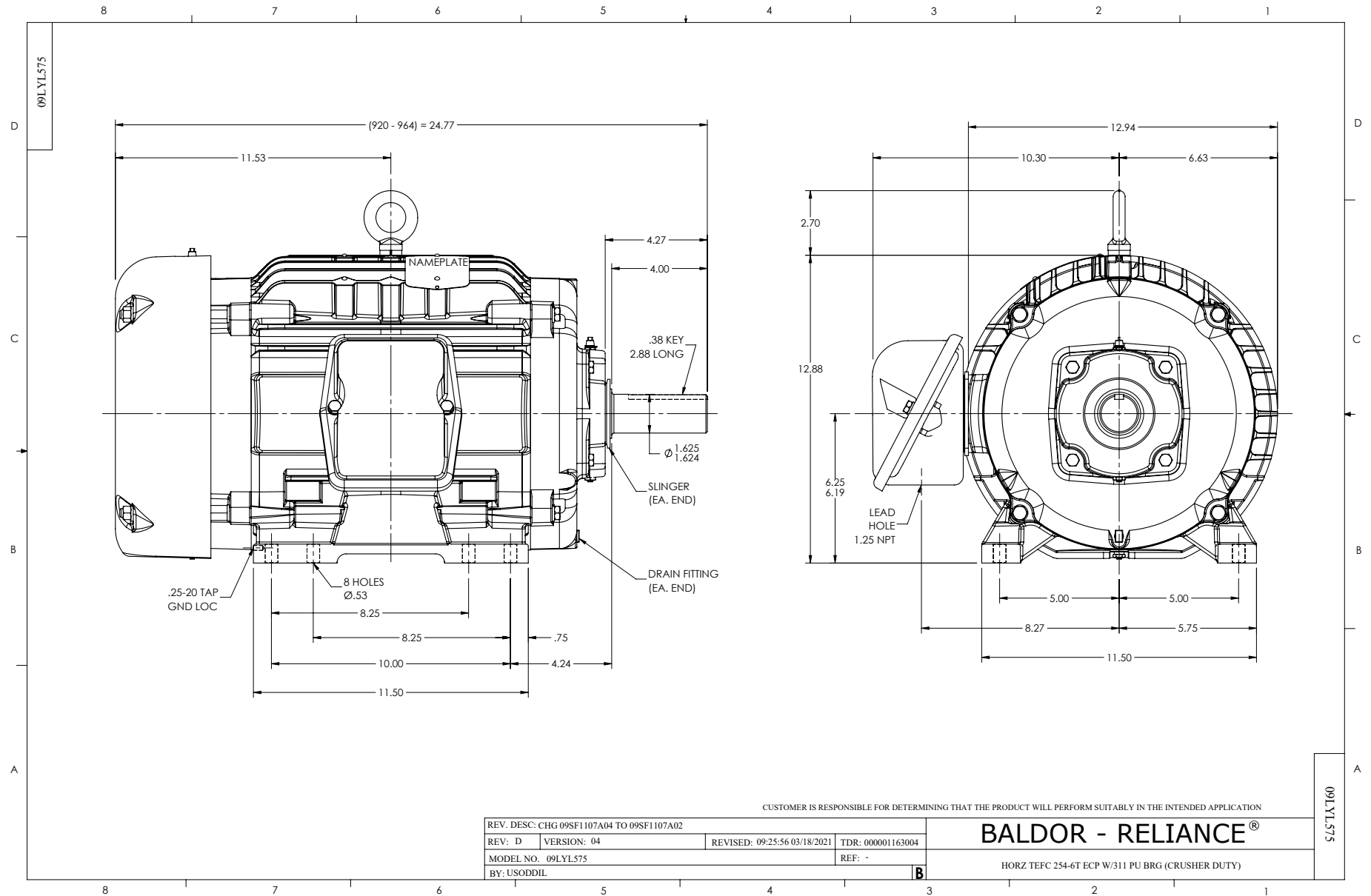
Typical performance - not guaranteed values.

15 HP 3 PH 60 HZ 1765 RPM 460 V 0948M

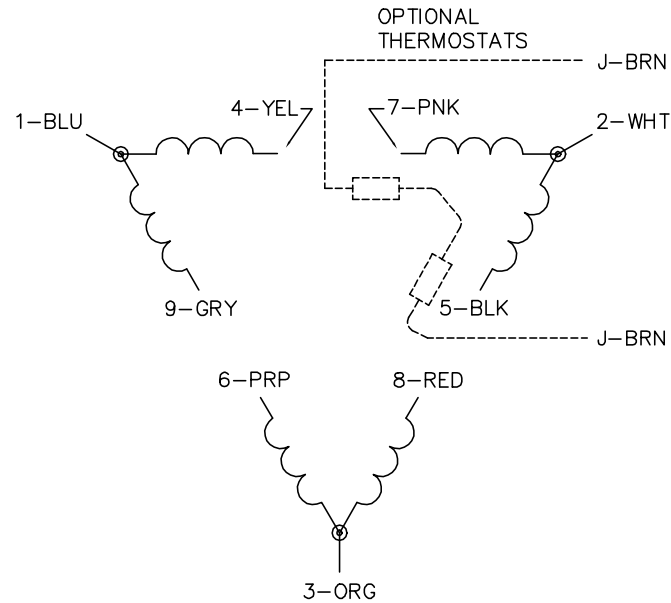
TORQUES (LB-FT): PO=145 PU=78.4 LR=119 LRA=120



9/9/2024 ACPERF, record # 48597



CD0180



LOW VOLTAGE
(2D)



HIGH VOLTAGE
(1D)



NOTES:

1. INTERCHANGE ANY TWO LINE LEADS TO REVERSE ROTATION.
2. OPTIONAL THERMOSTATS ARE PROVIDED WHEN SPECIFIED.
3. ACTUAL NUMBER OF INTERNAL PARALLEL CIRCUITS MAY BE A MULTIPLE OF THOSE SHOWN ABOVE.
4. LEAD COLORS ARE OPTIONAL. LEADS MUST ALWAYS BE NUMBERED AS SHOWN.

CD0180

REV. DESC: ADD CLASS CONN00000007		
REV. LTR: D	VERSION: 01	TDR: 000001099922
FILE: \AAA\00005\148	REVISED: 10: 25: 29 02/19/2019	BY: ENBRIRO
MTL: -	© □	

BALDOR - RELIANCE®

3PH, DV, 9 LEADS, DELTA CONNECTION

SH 1 of 1