



---

# Customer information packet

## ECR9106T

10HP, 1175RPM, 3PH, 60HZ, 256T, 0962M, TEFC, F1

Class - None

Division - Not Applicable

## Specifications

Enclosure	TEFC
Frame	256T
Frame Material	Iron
Frequency	60.00 Hz
Haz Area Class and Group	None
Haz Area Division	Not Applicable
Motor Letter Type	Three Phase
Output @ Frequency	10.000 HP @ 60 HZ
Phase	3
Synchronous Speed @ Frequency	1200 RPM @ 60 HZ
Voltage @ Frequency	230.0 V @ 60 HZ 460.0 V @ 60 HZ
Agency Approvals	CCSA US CSA EEV NEMA PREMIUM NEMA_PREMIUM UR
Ambient Temperature	40 °C
Auxillary Box	No Auxillary Box
Auxillary Box Lead Termination	None
Base Indicator	Rigid
Bearing Grease Type	Polyrex EM (-20F +300F)
Blower	None
Constant Torque Speed Range	6
Current @ Voltage	14.000 A @ 460.0 V 28.000 A @ 230.0 V
Design Code	A
Drip Cover	No Drip Cover
Duty Rating	CONT
Efficiency @ 100% Load	91.0 %
Electrically Isolated Bearing	Not Electrically Isolated
Feedback Device	NO FEEDBACK

## Part detail

Revision	AE
Type	AC
Mech. spec.	09L575
Base	
Status	PRD/A
Elec. spec.	09WGT161
Layout	09LYL575
Eff. date	06-24-2024
CD Diagram	CD0005
Poles	06
Leads	9#12 Y
Proprietary	False
Created date	01-14-2015

Front Face Code	Standard
Front Shaft Indicator	None
Heater Indicator	No Heater
High Voltage Full Load Amps	14.0 a
Insulation Class	F
Inverter Code	Inverter Duty
KVA Code	J
Lifting Lugs	Standard Lifting Lugs
Locked Bearing Indicator	Locked Bearing
Max Speed	1800 rpm
Motor Lead Exit	Ko Box
Motor Lead Quantity/Wire Size	9 @ 12 AWG
Motor Lead Termination	Flying Leads
Motor Standards	NEMA
Motor Type	0962M
Mounting Arrangement	F1
Number of Poles	6
Overall Length	24.77 IN
Power Factor	74
Product Family	Super-E Chemical Processing
Pulley End Bearing Type	Ball
Pulley Face Code	Standard
Pulley Shaft Indicator	Standard
Rodent Screen	None
Service Factor	1.25
Shaft Diameter	1.625 IN
Shaft Extension Location	Pulley End
Shaft Ground Indicator	No Shaft Grounding
Shaft Rotation	Reversible
Shaft Slinger Indicator	Shaft Slinger
Speed	1175 rpm
Speed Code	Single Speed
Starting Method	Direct on line
Thermal Device - Bearing	None

<b>Thermal Device - Winding</b>	None
<b>Vibration Sensor Indicator</b>	No Vibration Sensor
<b>Winding Thermal 1</b>	None
<b>Winding Thermal 2</b>	None

**Nameplate**

**NP3293**

<b>CAT.NO.</b>	ECR9106T	<b>P/N</b>		<b>ENCLOSURE</b>	TEFC				
<b>SPEC.</b>	09L575T161G1	<b>CC</b>	010A	<b>FRAME</b>	256T	<b>S/N</b>			
<b>HP</b>	10	<b>CLASS</b>	F	<b>HZ</b>	60	<b>DES</b>	A		
<b>RPM</b>	1175	<b>RPM MAX</b>	1800	<b>PH</b>	3	<b>KVA-CODE</b>	J		
<b>VOLT</b>	230/460	<b>I.P.</b>	55						
<b>AMP</b>	28/14	<b>SER.F.</b>	1.25	<b>PF</b>	74	<b>ODE BRG</b>	6309	<b>DE BRG</b>	6311
<b>RATING</b>	40C AMB-CONT	<b>NEMA-NOM-EFF</b>	91	<b>GREASE</b>	POLYREX EM				
<b>HTR-VOLTS</b>	<b>HTR-AMPS</b>	<b>HTR-WATTS</b>		<b>INV.TYPE</b>					
	SFA 33/16.5								
		<b>C HP FR</b>	60	<b>C HP TO</b>	90				
		<b>CT HZ FROM</b>	6	<b>CT HZ TO</b>	60				
		<b>MOTOR WEIGHT</b>	355	<b>VT HZ FROM</b>	6	<b>VT HZ TO</b>	60		

**AC Induction Motor Performance Data**

Record # 51635

Typical performance - not guaranteed values

<b>Winding: 09WGT161-R001</b>		<b>Type: 0962M</b>		<b>Enclosure: TEFC</b>	
<b>Nameplate Data</b>			<b>460 V, 60 Hz: High Voltage Connection</b>		
<b>Rated Output (HP)</b>	10	<b>Full Load Torque</b>	45 LB-FT		
<b>Volts</b>	230/460	<b>Start Configuration</b>	direct on line		
<b>Full Load Amps</b>	28/14	<b>Breakdown Torque</b>	165 LB-FT		
<b>R.P.M.</b>	1175	<b>Pull-up Torque</b>	80.7 LB-FT		
<b>Hz</b>	60	<b>Locked-rotor Torque</b>	128 LB-FT		
<b>NEMA Design Code</b>	A	<b>Starting Current</b>	100 A		
<b>Service Factor (S.F.)</b>	1.25	<b>No-load Current</b>	7.56 A		
<b>NEMA Nom. Eff.</b>	91	<b>Line-line Res. @ 25°C</b>	0.811 Ω		
<b>Rating - Duty</b>	40C AMB-CONT	<b>Temp. Rise @ Rated Load</b>	44°C		
<b>S.F. Amps</b>	33/16.5	<b>Temp. Rise @ S.F. Load</b>	57°C		
		<b>Locked-rotor Power Factor</b>	40.3		
		<b>Rotor inertia</b>	4.98 lb-ft <sup>2</sup>		

**Load Characteristics 460 V, 60 Hz, 10 HP**

<b>% of Rated Load</b>	<b>25</b>	<b>50</b>	<b>75</b>	<b>100</b>	<b>125</b>	<b>150</b>	<b>S.F.</b>
<b>Power Factor</b>	34	55	67	74	78	80	78
<b>Efficiency</b>	84.8	89.9	91.2	91	90.3	89.4	90.3
<b>Speed</b>	1194	1189	1184	1179	1173	1166	1173
<b>Line amperes</b>	8.1	9.61	11.7	14	16.8	19.7	16.8

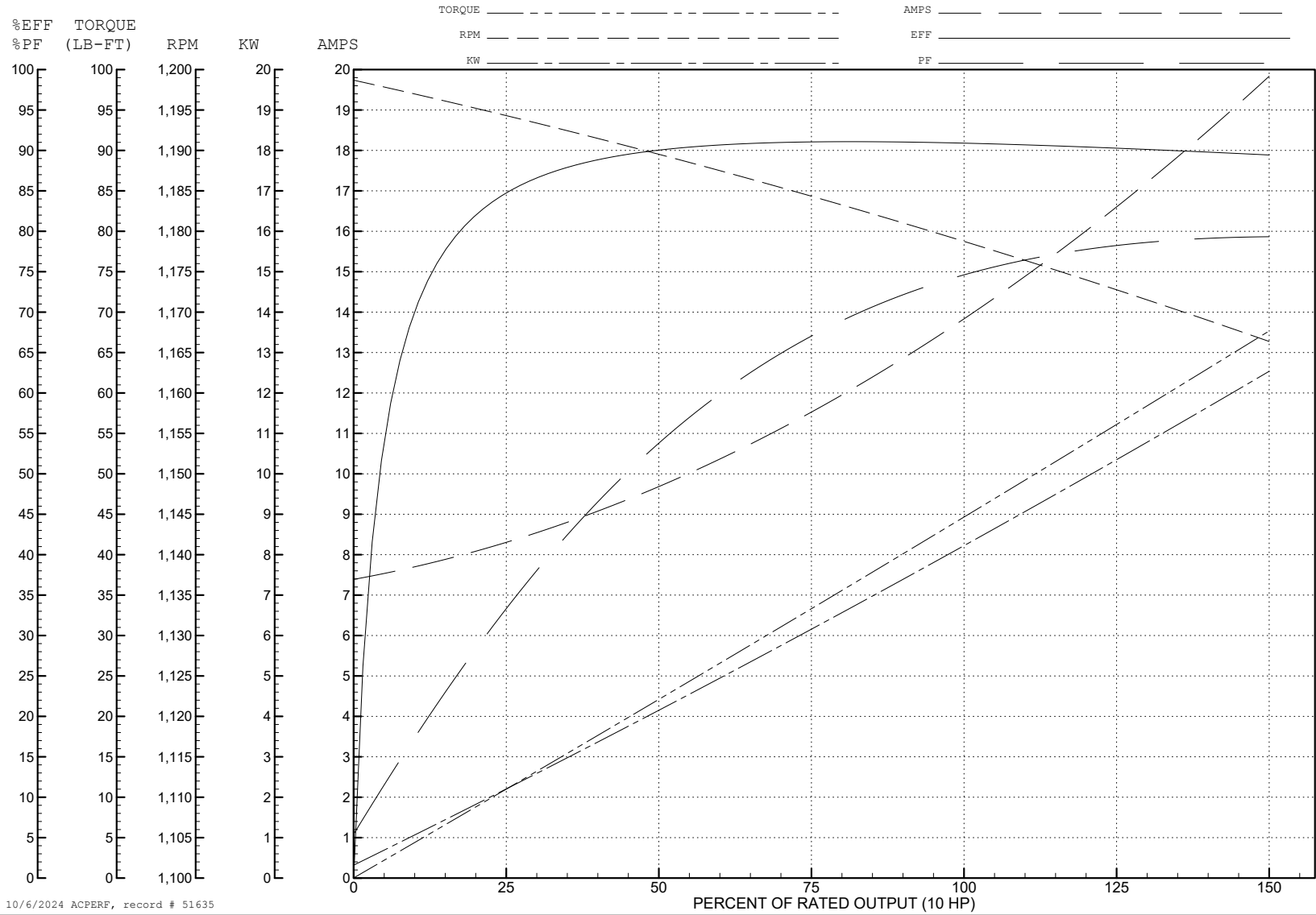
ABB Motors and Mechanical Inc.

WINDING # 09WGT161

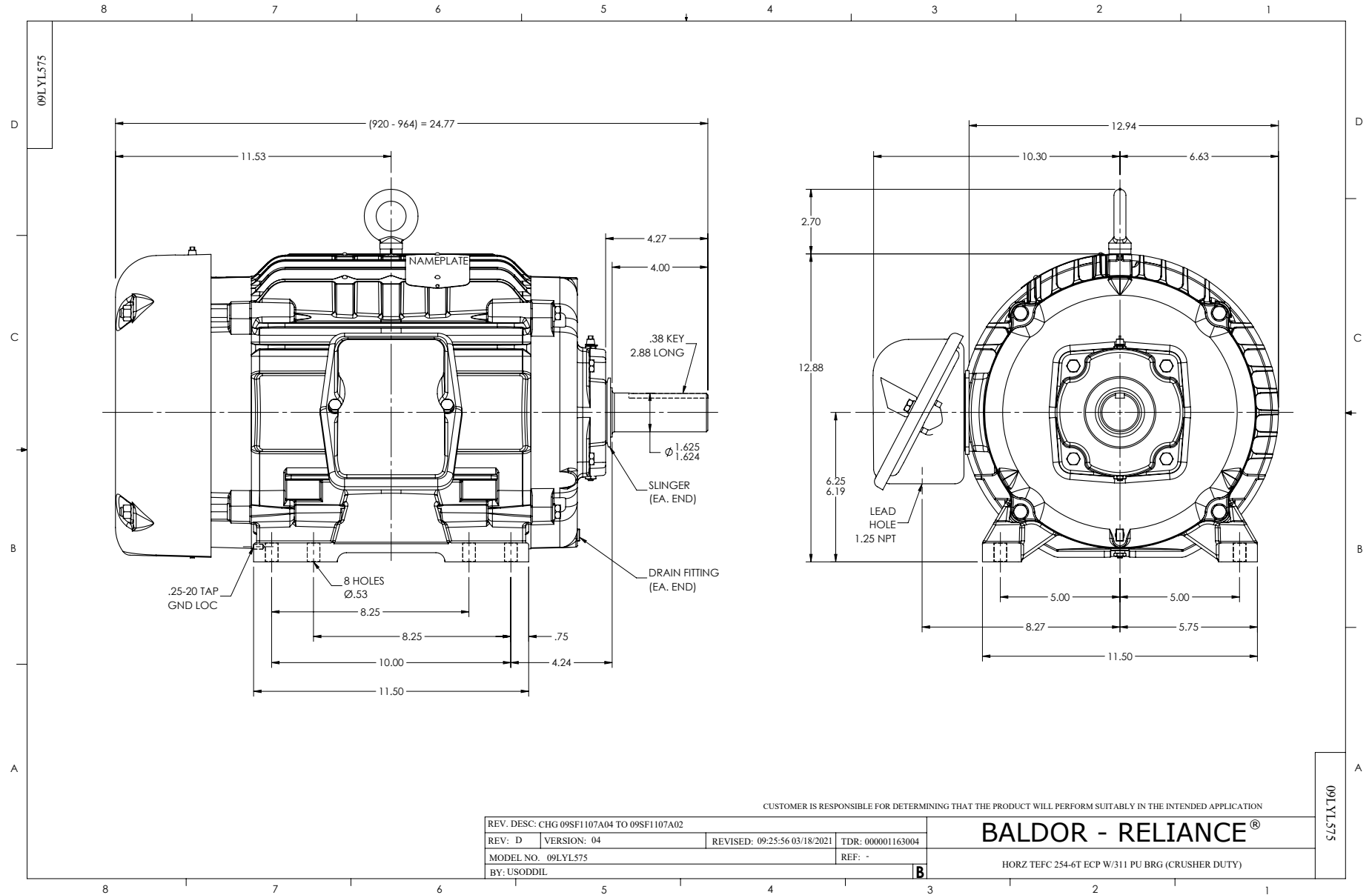
Typical performance - not guaranteed values.

10 HP 3 PH 60 HZ 1175 RPM 460 V 0962M

TORQUES (LB-FT): PO=165 PU=80.7 LR=128 LRA=100

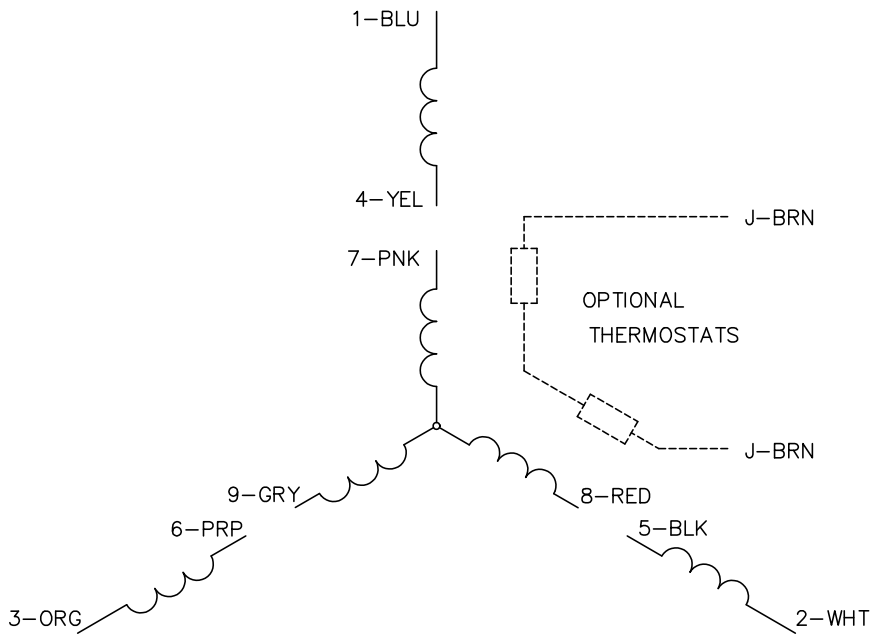


10/6/2024 ACPERF, record # 51635

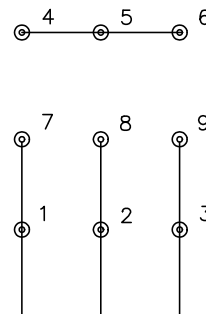




CD0005

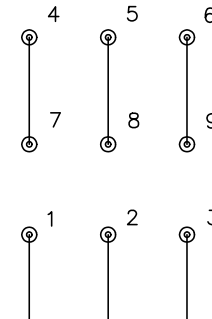


LOW VOLTAGE  
(2Y)



LINE

HIGH VOLTAGE  
(1Y)



LINE

NOTES:

1. INTERCHANGE ANY TWO LINE LEADS TO REVERSE ROTATION.
2. OPTIONAL THERMOSTATS ARE PROVIDED WHEN SPECIFIED.
3. ACTUAL NUMBER OF INTERNAL PARALLEL CIRCUITS MAY BE A MULTIPLE OF THOSE SHOWN ABOVE.
4. LEAD COLORS ARE OPTIONAL. LEADS MUST ALWAYS BE NUMBERED AS SHOWN.

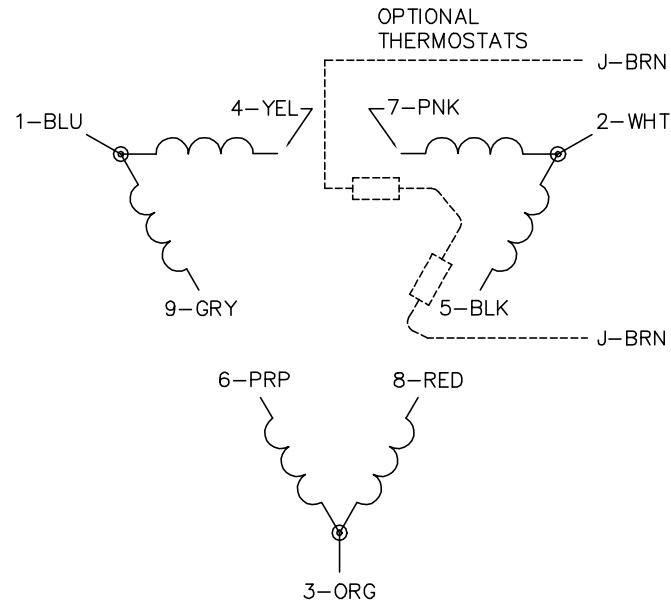
CD0005

REV. DESC: REVISE TO SHOW OPTIONAL COLORS			
REV. LTR: E	BY: JLP	REVISED: 01/19/99 10:15	TDR: 0171435
S00000		FILE: AAA00005140	MDL: -
		MTL: -	

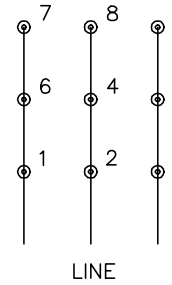
**BALDOR ELECTRIC Co.**

3PH, DV, 9 LEADS

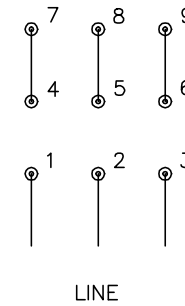
CD0180



LOW VOLTAGE  
(2D)



HIGH VOLTAGE  
(1D)



**NOTES:**

1. INTERCHANGE ANY TWO LINE LEADS TO REVERSE ROTATION.
2. OPTIONAL THERMOSTATS ARE PROVIDED WHEN SPECIFIED.
3. ACTUAL NUMBER OF INTERNAL PARALLEL CIRCUITS MAY BE A MULTIPLE OF THOSE SHOWN ABOVE.
4. LEAD COLORS ARE OPTIONAL. LEADS MUST ALWAYS BE NUMBERED AS SHOWN.

CD0180

REV. DESC: ADD CLASS CONN00000007		
REV. LTR: D	VERSION: 01	TDR: 000001099922
FILE: \AAA\00005\148	REVISED: 10: 25: 29 02/19/2019	BY: ENBRIRO
MTL: -	© □	

**BALDOR - RELIANCE®**

3PH, DV, 9 LEADS, DELTA CONNECTION

SH 1 of 1