

# ABB BALDOR RELIANCE III

---

## Customer information packet

ECP849252T-4

250HP, 3570RPM, 3PH, 60HZ, 449TS, A44128M, TEF

Class - CLI GP A,B,C,D

Division - Division II

**Specifications**

<b>Enclosure</b>	TEFC
<b>Frame</b>	449TS
<b>Frame Material</b>	Iron
<b>Frequency</b>	60.00 Hz
<b>Haz Area Class and Group</b>	CLI GP A,B,C,D
<b>Haz Area Division</b>	Division II
<b>Motor Letter Type</b>	Three Phase
<b>Output @ Frequency</b>	250.000 HP @ 60 HZ
<b>Phase</b>	3
<b>Synchronous Speed @ Frequency</b>	3600 RPM @ 60 HZ
<b>Voltage @ Frequency</b>	460.0 V @ 60 HZ
<b>Agency Approvals</b>	CCSA US CSA EEV UR
<b>Ambient Temperature</b>	40 °C
<b>Auxiliary Box</b>	NO AUXILLARY BOX
<b>Base Indicator</b>	Rigid
<b>Bearing Grease Type</b>	Polyrex EM (-20F +300F)
<b>Current @ Voltage</b>	266.000 A @ 460.0 V
<b>Design Code</b>	B
<b>Drip Cover</b>	No Drip Cover
<b>Duty Rating</b>	CONT
<b>Efficiency @ 100% Load</b>	96.2 %
<b>Feedback Device</b>	NO FEEDBACK
<b>Haz Area Temp Code</b>	T2D
<b>Heater Indicator</b>	No Heater
<b>High Voltage Full Load Amps</b>	266.0 a
<b>Insulation Class</b>	F
<b>Inverter Code</b>	Inverter Ready
<b>KVA Code</b>	G
<b>Lifting Lugs</b>	No Lifting Lugs
<b>Motor Lead Quantity/Wire Size</b>	6 @ 2/0 AWG

**Part Detail**

<b>Revision</b>	W
<b>Type</b>	AC
<b>Mech. spec.</b>	
<b>Base</b>	
<b>Status</b>	PRD/A
<b>Elec. spec.</b>	A44WG1505
<b>Layout</b>	617423-017
<b>Eff. date</b>	04-01-2024
<b>CD Diagram</b>	416820-036
<b>Poles</b>	02
<b>Leads</b>	3#2/0 (02 per group)
<b>Proprietary</b>	False
<b>Created date</b>	10-19-2010

<b>Motor Standards</b>	NEMA
<b>Motor Type</b>	A44128M
<b>Mounting Arrangement</b>	F1
<b>No Load Current</b>	42.4 a
<b>Number of Poles</b>	2
<b>Overall Length</b>	49.48 IN
<b>Power Factor</b>	91
<b>Pulley End Bearing Type</b>	Ball
<b>Pulley Face Code</b>	Standard
<b>Service Factor</b>	1.15
<b>Shaft Diameter</b>	2.375 IN
<b>Shaft Ground Indicator</b>	No Shaft Grounding
<b>Shaft Rotation</b>	Phase Seq-Std Rot (CCWODE)
<b>Shaft Slinger Indicator</b>	No Slinger
<b>Speed</b>	3570 rpm
<b>Speed Code</b>	Single Speed
<b>Starting Method</b>	Direct on line
<b>Thermal Device - Bearing</b>	None
<b>Thermal Device - Winding</b>	None

**Nameplate**

**000613007ET**

<b>CAT NO</b>	ECP849252T-4	<b>SPEC NO.</b>	P44G3768						
<b>HP</b>	250	<b>AMPS</b>	266	<b>VOLTS</b>	460	<b>DESIGN</b>	B		
<b>FRAME SIZE</b>	449TS	<b>RPM</b>	3570	<b>HZ</b>	60	<b>AMB</b>	40	<b>SF</b>	1.15
<b>D.E. BRG.</b>	65BC03J30X	<b>PH</b>	3	<b>DUTY</b>	CONT	<b>INSUL.CLASS</b>	F		
<b>O.D.E. BRG.</b>	65BC03J30X	<b>TYPE</b>	P	<b>ENCL</b>	TEFC	<b>CODE</b>	G		
<b>D.E.BRG.DATA</b>	6313	<b>POWER FACTOR</b>	91.2	<b>NEMA-NOM-EFFICIENCY</b>	96.2				
<b>O.D.E.BRG.DATA</b>	6313	<b>MAX CORR KVAR</b>	23.0	<b>GUARANTEED EFFICIENCY</b>	95.8				
<b>3/4 LOAD EFF.</b>	96.2	<b>NEMA NOM/CSA QUOTED EFF</b>							
<b>SER.NO.</b>		<b>MOTOR WEIGHT</b>	2798						

---

**000613007EX**

---

<b>CAT NO</b>	ECP849252T-4	<b>SPEC NO.</b>	P44G3768	
<b>NO. ROTOR BARS</b>	40	<b>GREASE TYPE</b>	POLYREX EM	
<b>NO. SLOTS</b>	48	<b>NL AMPS AT RATED VOLTAGE</b>		42.4
<b>5 YEAR WARRANTY</b>		<b>WINDING RES @25 C</b>	.01178	<b>OHMS</b>
<b>MFG. DATE</b>		<b>SER.NO</b>		

---

---

**000692000UJ**

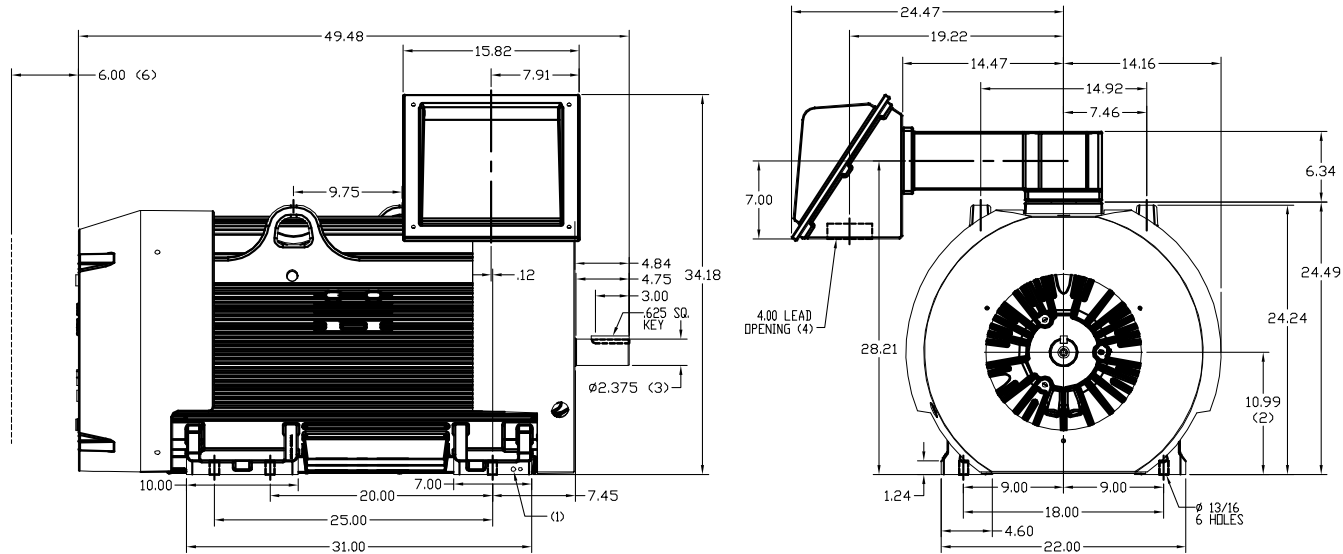
---

<b>TCODE</b>	T2D	<b>TEMP</b>	215	<b>CL I DIV 2 GR</b>	ABCD
<b>CL.1,ZONE 2,GR</b>	IIAIIIBIC	<b>CL II DIV 2 GR</b>		X X X	
<b>MOTOR I.D. NO.</b>					

---

617423-017

ENCLOSURE: TOTALLY ENCLOSED      FRAME 449TS ABOVE NEMA RATINGS      COOLING: FAN COOLED  
 MOUNTING: FOOT      INCLUDES 447TS FRAME MOUNTING HOLES      841-XL



1. GROUND HOLES QTY 1 1/2-13 TAP; QTY 1 3/8-16 TAP
  2. VARIES +.00-.06
  3. VARIES +.000-.001
  4. ON STANDARD MOTORS THIS IS CONDUIT SIZE. ON XT AND CORROSION PROOF MOTOR THIS IS PIPE TAP.
  5. MOTOR WEIGHTS MAY VARY BY 15% DEPENDING ON RATING.
  6. OBSTRUCTION MUST NOT ENCRDACH ON AIR INLET
- CONDUIT BOX LOCATED ON OPPOSITE SIDE WHEN F-2  
 IF MOUNTING CLEARANCE DETAILS ARE REQUIRED, CONSULT FACTORY.  
 MAXIMUM PERMISSIBLE SHAFT RUNOUT WHEN MEASURED AT END OF  
 STANDARD SHAFT EXTENSION IS .0015" T.I.R. FOR BALL BEARING MOTORS  
 AND .002" T.I.R. FOR ROLLER BEARING MOTORS TO 6.5" INCH DIA.

DIMENSIONS ARE IN INCHES

CUSTOMER IS RESPONSIBLE FOR DETERMINING THAT BALDOR'S PRODUCT WILL PERFORM SUITABLY IN THE INTENDED APPLICATION.

REV. DESC: NEW DRAWING		
REV. LTR: -	VERSION: 00	TDR: 000000543699
FILE: \RAG\00009\096	REVISED: 08:53:21 06/04/2010	BY: RAGEC
MTL: -		

**BALDOR**

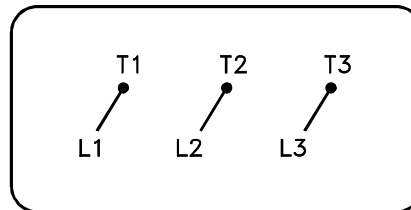
DIM SHEET G447/449TS TEFC HORZ FT MTG 841-XL

SH 1 of 1

617423-017

416820-036

**A-C MOTOR  
CONNECTION DIAGRAM  
STANDARD 3 LEAD CONNECTED**



(N.P. 1575-BA)

416820-036

REV. DESC: LOADED TO BUS, C/R 335225

REV. LTR: -

VERSION: 00

TDR: 000000538207

FILE: \MGA\00000\682

REVISED: 11:54:06 04/30/2010

MTL: -

BY: RAGRA

**BALDOR**

CONN DIAG - STANDARD 3 LEAD

SH 1 of 1