

BALDOR • RELIANCE

Customer information packet

ECP849206T-4

200HP, 1190RPM, 3PH, 60HZ, 449T, A44160M, TEFC

Class - CLI GP A,B,C,D

Division - Division II

Copyright © All product information within this document is subject to ABB Motors and Mechanical Inc. copyright © protection, unless otherwise noted.

10/5/2024 12:40:01 AM

Specifications

Enclosure	TEFC
Frame	449T
Frame Material	Iron
Frequency	60.00 Hz
Haz Area Class and Group	CLI GP A,B,C,D
Haz Area Division	Division II
Motor Letter Type	Three Phase
Output @ Frequency	200.000 HP @ 60 HZ
Phase	3
Synchronous Speed @ Frequency	1200 RPM @ 60 HZ
Voltage @ Frequency	460.0 V @ 60 HZ
Agency Approvals	CCSA US CSA EEV UR
Ambient Temperature	40 °C
Auxillary Box	No Auxillary Box
Base Indicator	Rigid
Bearing Grease Type	Polyrex EM (-20F +300F)
Current @ Voltage	225.000 A @ 460.0 V
Design Code	B
Drip Cover	No Drip Cover
Duty Rating	CONT
Efficiency @ 100% Load	95.8 %
Feedback Device	NO FEEDBACK
Haz Area Temp Code	T3
Heater Indicator	No Heater
High Voltage Full Load Amps	225.0 a
Insulation Class	F
Inverter Code	Not Inverter
KVA Code	G
Lifting Lugs	No Lifting Lugs
Motor Lead Quantity/Wire Size	6 @ 1 AWG

Part detail

Revision	V
Type	AC
Mech. spec.	
Base	
Status	PRD/A
Elec. spec.	A44WG1497
Layout	617423-016
Eff. date	04-08-2021
CD Diagram	416820-036
Poles	06
Leads	3#1 (02 per group)
Proprietary	False
Created date	10-19-2010

Motor Standards	NEMA
Motor Type	A44160M
Mounting Arrangement	F1
No Load Current	62.1 a
Number of Poles	6
Overall Length	53.24 IN
Power Factor	87
Pulley End Bearing Type	Ball
Pulley Face Code	Standard
Service Factor	1.15
Shaft Diameter	3.375 IN
Shaft Ground Indicator	No Shaft Grounding
Shaft Rotation	Phase Seq-Std Rot (CCWODE)
Shaft Slinger Indicator	No Slinger
Speed	1190 rpm
Speed Code	Single Speed
Starting Method	Direct on line
Thermal Device - Bearing	None
Thermal Device - Winding	None

Nameplate

000613007ET

CAT NO	ECP849206T-4	SPEC NO.	P44G3753						
HP	200	AMPS	225	VOLTS	460	DESIGN	B		
FRAME SIZE	449T	RPM	1190	HZ	60	AMB	40	SF	1.15
D.E. BRG.	90BC03J30X	PH	3	DUTY	CONT	INSUL.CLASS	F		
O.D.E. BRG.	90BC03J30X	TYPE	P	ENCL	TEFC	CODE	G		
D.E.BRG.DATA	6318	POWER FACTOR	87	NEMA-NOM-EFFICIENCY	95.8				
O.D.E.BRG.DATA	6318	MAX CORR KVAR	35.0	GUARANTEED EFFICIENCY	95.0				
3/4 LOAD EFF.	95.8	NEMA NOM/CSA QUOTED EFF							
SER.NO.		MOTOR WEIGHT	3085						

000613007EX

CAT NO	ECP849206T-4	SPEC NO.	P44G3753
NO. ROTOR BARS	71	GREASE TYPE	POLYREX EM
NO. SLOTS	90	NL AMPS AT RATED VOLTAGE	62.1
5 YEAR WARRANTY		WINDING RES @25 C	.02210
MFG. DATE		SER.NO	

000692000UJ

TCODE	T3	TEMP	200	CL I DIV 2 GR	ABCD
CL.1,ZONE 2,GR	IIAIBIIC	CL II DIV 2 GR		XXX	
MOTOR I.D. NO.					

617423-016

DUTY MASTER ALTERNATING CURRENT MOTORS
SQUIRREL-CAGE INDUCTION

ENCLOSURE: TOTALLY ENCLOSED

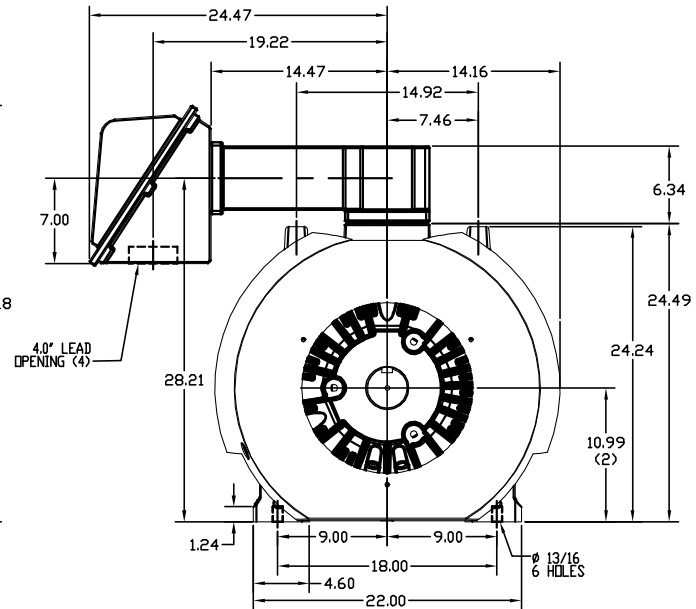
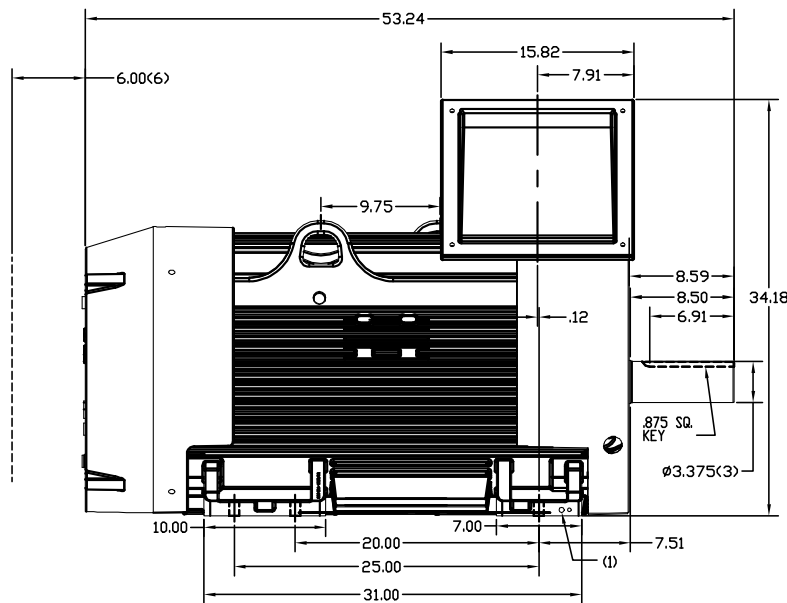
FRAME 449T ABOVE NEMA RATINGS

COOLING: FAN COOLED

MOUNTING: FOOT

INCLUDES 447T FRAME MOUNTING HOLES

841-XL



1. GROUND HOLES QTY 1 1/2-13 TAP; QTY 1 3/8-16 TAP
2. VARIES +.00, -.06
3. VARIES +.000, -.001
4. ON STANDARD MOTORS THIS IS CONDUIT SIZE. ON XT AND CORROSION PROOF MOTOR THIS IS PIPE TAP.
5. MOTOR WEIGHTS MAY VARY BY 15% DEPENDING ON RATING.
6. OBSTRUCTION MUST NOT ENCRDACH ON AIR INLET

CONDUIT BOX LOCATED ON OPPOSITE SIDE WHEN F-2.
IF MOUNTING CLEARANCE DETAILS ARE REQUIRED, CONSULT FACTORY.
MAXIMUM PERMISSIBLE SHAFT RUNOUT WHEN MEASURED AT END OF STANDARD SHAFT EXTENSION IS .0015" T.I.R. FOR BALL BEARING MOTORS AND .002" T.I.R. FOR ROLLER BEARING MOTORS TO 6.5 INCH DIA.

CUSTOMER IS RESPONSIBLE FOR DETERMINING THAT BALDOR'S PRODUCT WILL PERFORM SUITABLY IN THE INTENDED APPLICATION.

REV. DESC: ADD DRIVE END AIR DEFLECTOR		
REV. LTR: A	VERSION: 01	TDR: 000000543699
FILE: \RAG\00009\055	REVISED: 08:55:21 06/04/2010	
MTL: -	BY: RAGEC	

BALDOR

DIM SHEET G447/449T TEFC HORZ FT MTG 841-XL

SH 1 of 1

617423-016

416820-036

A-C MOTOR
CONNECTION DIAGRAM
STANDARD 3 LEAD CONNECTED



(N.P. 1575-BA)

416820-036

REV. DESC: LOADED TO BUS, C/R 335225		
REV. LTR: -	VERSION: 00	TDR: 000000538207
FILE: \MGA\00000\682	REVISED: 11:54:06 04/30/2010	
MTL: -	BY: RAGRA	

BALDOR

CONN DIAG - STANDARD 3 LEAD
SH 1 of 1